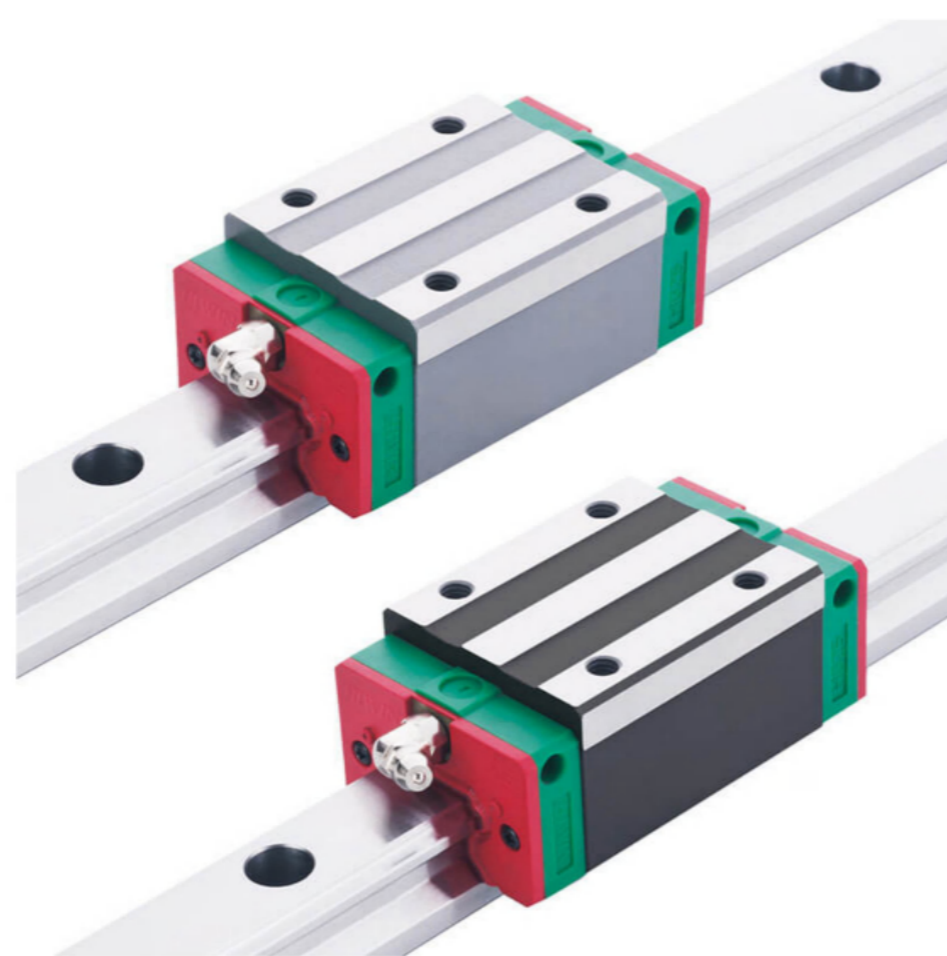
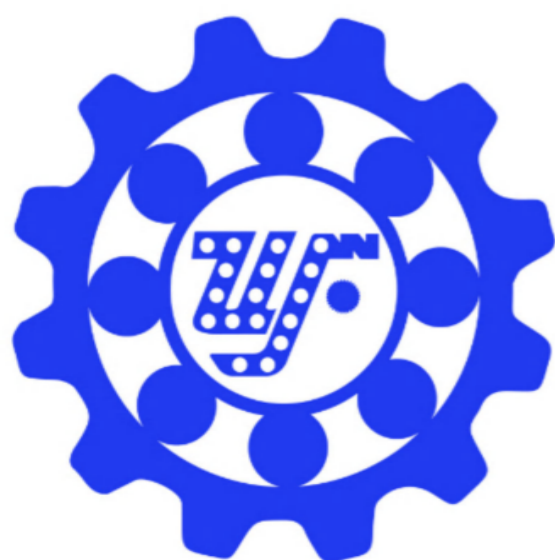


WY PRODUCT CATALOGUE



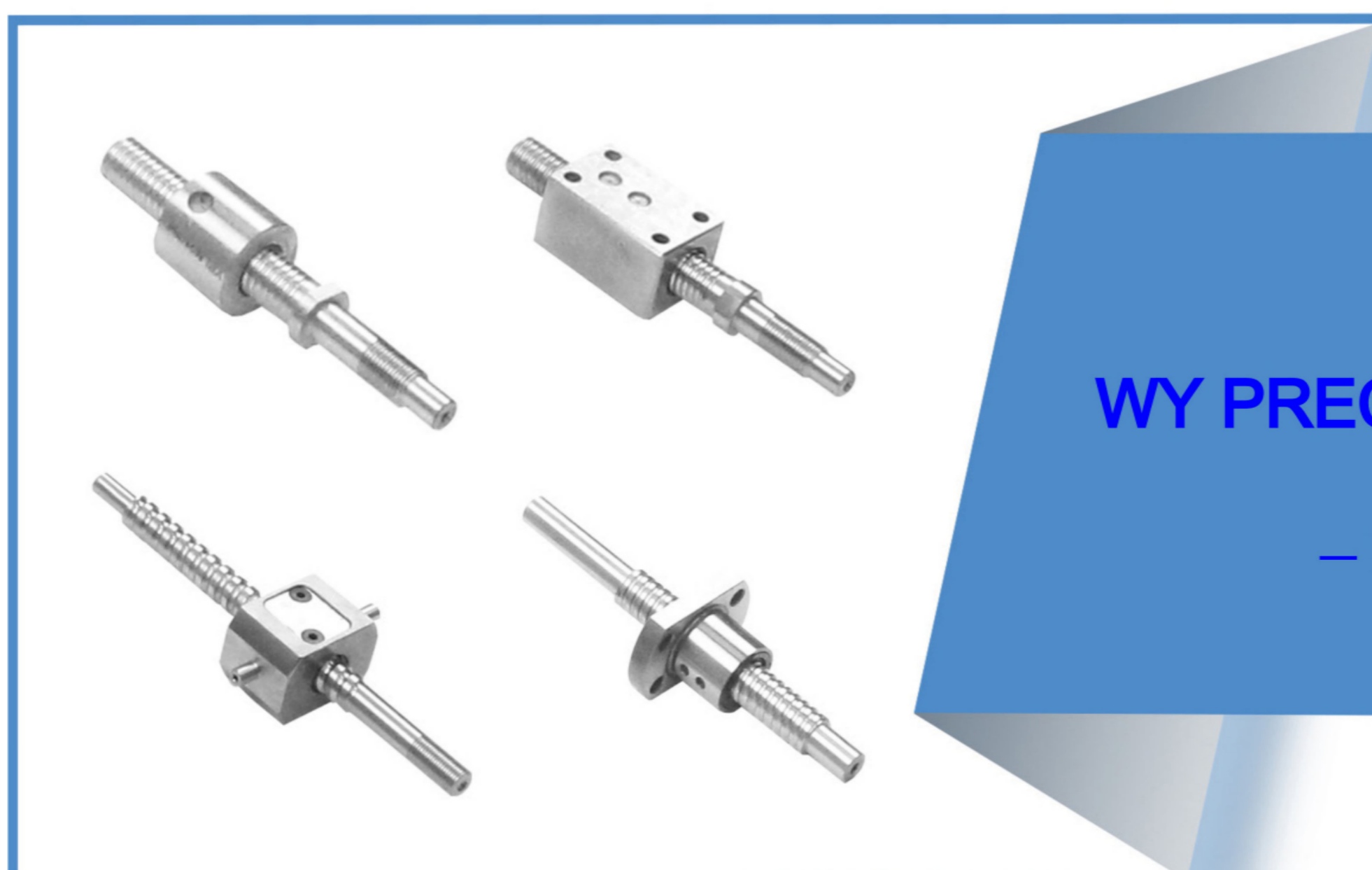


LINEAR MOTION SYSTEMS & SOLUTIONS

Design To Customer

Customization Design Solution Provided in 24 hours!

Linear Guideways



WY PRECISION COMPANY LIMITED

— Member of WANFU Group



PRODUCT MANUAL

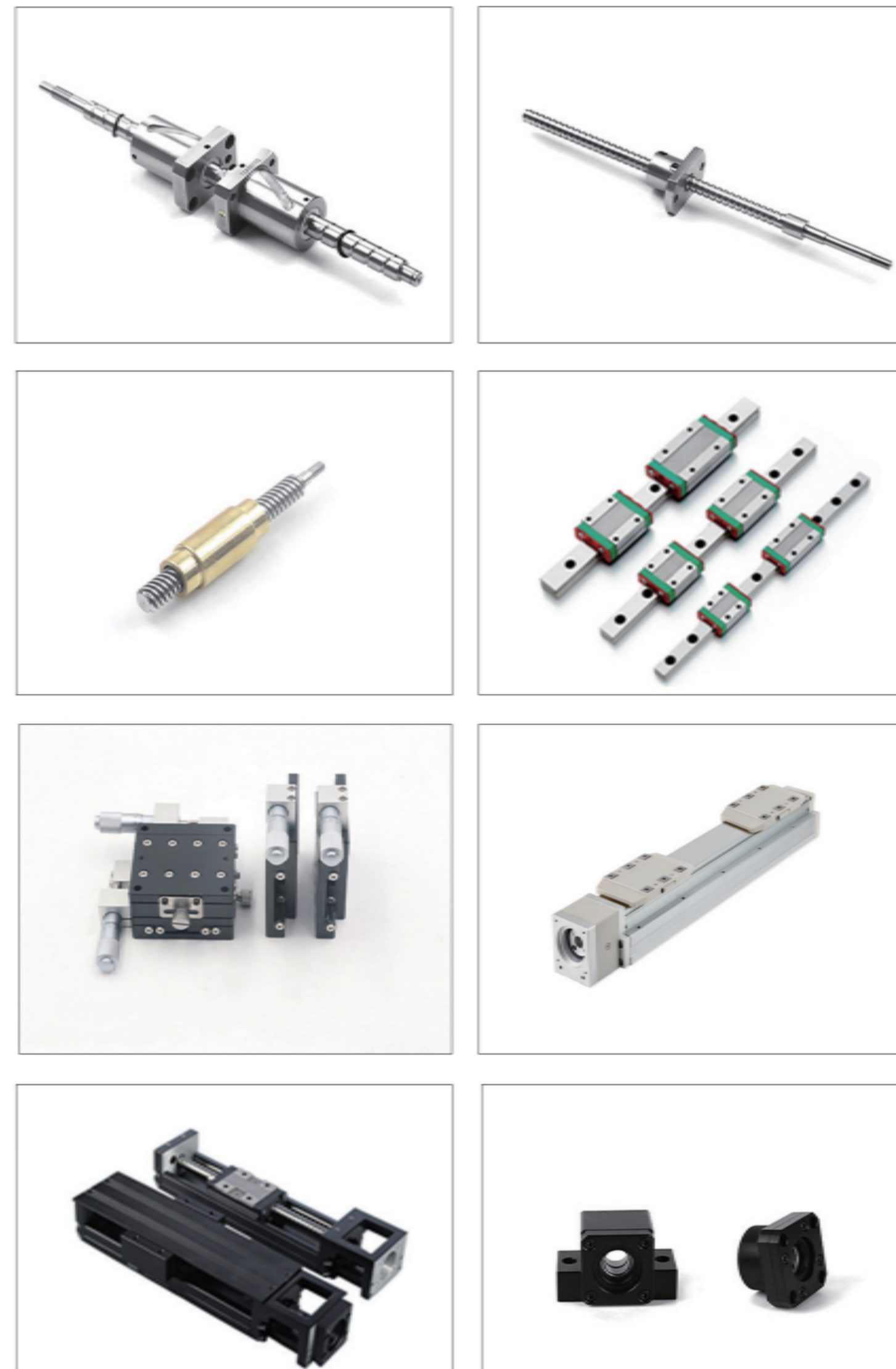
Transmission parts and supporting mechanical parts.
Linear transmission components, such as single-axis and multi-axis components.
Motors, controllers, sensors, encoders, etc.
Design, assembly and debugging of non-standard automation equipment, etc.

-  Professional Customization
-  Precision Machining
-  High Quality Assurance



<http://www.wyballscrew.com/>

MAIN PRODUCTS



ABOUT US

WY Precision Co., Limited is established in 2009, is a manufacturer of linear motion systems. Member of WanFu Group, We provide to customers with linear motion customization solutions. Adhering to the business philosophy of "professional, integrity, and efficiency", we look forward to contributing to the world's automated manufacturing.

Our products include:

- ▶ Transmission parts and supporting mechanical parts, such as: ball screw and lead screw, guide rail, ball spline, coupling, support unit, nut seat, motor house, adapter plate, bearing, etc.;
- ▶ Linear transmission components, such as: single axis robot, multi-axis linear modules, electric cylinders, and linear platforms;
- ▶ Motors, controllers, sensors, encoders, etc., such as: stepper motors, servo motors, drivers, etc.;
- ▶ Design, assembly and debugging of non-standard automation equipment.

CONTENT



01

Technical Information

Advantages and features of linear guide	001
Basic load rating	003
The service life calculation	004
Ball recirculation ways	005

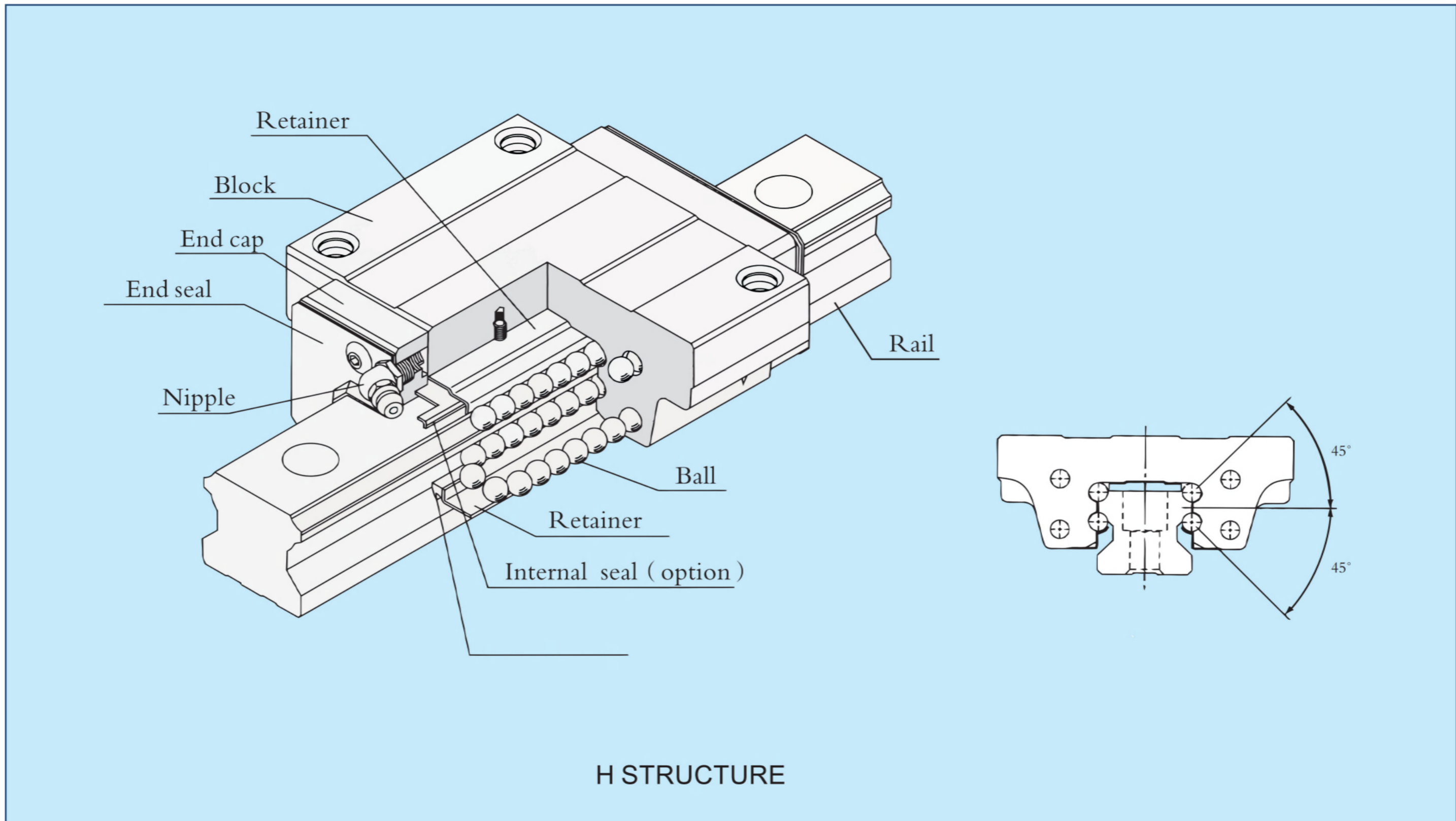
02

Precision Linear Guideways

GH Series	008
GE Series	012
GM Series	014
ST Series	016
WA Series	018
WA10	019
WA12	024
WA13	029
WA14	034
WA17	039
WA22H	044
WA17M	049
WA22M	054



PRECISION LINEAR GUIDEWAYS



Advantages and Features of Linear Guide

High positional accuracy

When a load is driven by a linear motion guideway, the frictional contact between the load and the bed is rolling contact. The coefficient of friction is only 1/50th of traditional contact, and the difference between the dynamic and the static coefficient of friction is small. Therefore, there would be no slippage while the load is moving.

Long life with high motion accuracy

With a traditional slide, errors in accuracy are caused by the counter flow of the oil film. Insufficient lubrication causes wear between the contact surfaces, which become increasingly inaccurate. In contrast, rolling contact has little wear, therefore, machines can achieve a long life with highly accurate motion.



High speed motion is possible with a low driving force

Because linear guideways have little friction resistance, only a small driving force is needed to move a load. This results in greater power savings, especially in the moving parts of a system. This is especially true for the reciprocating parts .

Equal loading capacity in all directions

With this special design, these linear guides can take loads in either the vertical or horizontal directions. Conventional linear slides can only take small loads in the direction parallel to the contact surface. They are also more likely to become inaccurate when they are subjected to these loads.

Easy installation

Installing a linear guide is fairly easy. Grinding or milling the machine surface, following a recommended installation procedure, and tightening the bolts to their specified torque can achieve highly accurate linear motion.

Easy lubrication

With a traditional sliding system, insufficient lubrication causes wear on the contact surfaces. Also, it can be quite difficult to supply sufficient lubrication to the contact surfaces because finding an appropriate lubrication point is not very easy. With a linear motion guide, grease can be easily supplied through the grease nipple on the linear guide block. It is also possible to utilize a centralized oil lubrication system by piping the lubrication oil to the piping joint.

Rigidity

When using a linear guide system, it is necessary to select a type and a clearance (preload) that meet the service conditions in order to achieve the required rigidity of the machine/equipment.

Interchangeability

Compared with traditional boxways or v-groove slides, linear guide can be easily replaced should any damage occur. For high precision grades consider ordering a matched, non-interchangeable, assembly of a block and rail.



Basic Load Rating

Linear guide system has two types of basic load ratings: basic dynamic load rating (C), which is used to calculate the service life, and basic static load rating (C₀), which defines the static permissible limit.

Basic Dynamic Load Rating C

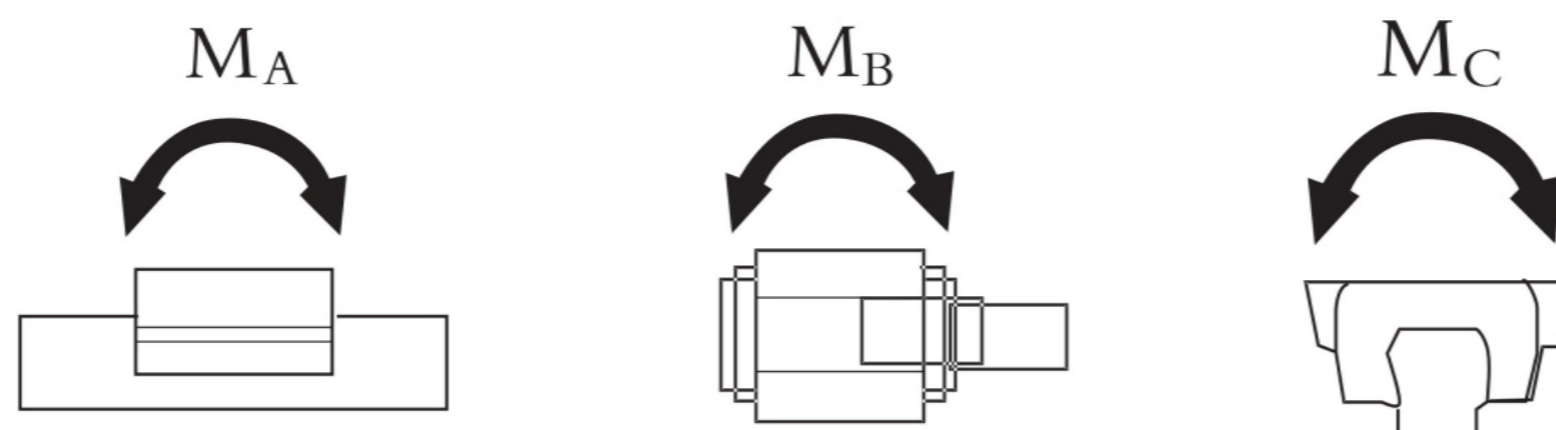
The basic dynamic load rating (C) indicates the load with constant direction and magnitude, under which the rated life (L) is $L = 50 \text{ km}$ for a linear guide system using balls, when a group of identical linear guide system units independently operate under the same conditions. The basic dynamic load rating (C) is used to calculate the service life when a linear guide system operates under a load.

Basic Static Load Rating C₀

If linear guide system receives an excessively large load or a large impact when it is stationary or operative, permanent deformation occurs between the raceway and the rolling element. If the permanent deformation exceeds a certain limit, it will prevent the system from performing smooth motion. The basic static load rating is a static load with a constant direction and magnitude whereby the sum of the permanent deformation of the rolling element and that of the raceway on the contact area under the maximum stress is 0.0001 times the rolling element diameter. With linear guide system, the basic static load rating is defined for the radial load. The basic static load rating C₀ is used for calculating the static safety factor relative to the working load.

Static Permissible Moment M₀

The static permissible moment refers to a moment in a given direction and magnitude when the largest stress of the rolling elements in an applied system equals the stress induced by the Static Load Rating. The static permissible moment in linear motion systems is defined for three directions, as follows:





The service life calculation

Nominal life

The service life of an linear guide system is subject to slight variations even under the same operating conditions. Therefore, it is necessary to use the nominal life defined below as a reference value for obtaining the service life of the system. The nominal life means the total travel distance that 90% of a group of identical system units can achieve without flaking.

$$L = \left(\frac{f_H}{f_w} \frac{f_T}{f_C} \right)^3 \times 50$$

L : Nominal life (km) f_H :Hardness factor (Fig.1)
 C : Basic dynamic load rating (N) f_T : Temperature factor (Fig.2)
 P_C :Applied load (N) f_C : Contact factor (Table 1)
 f_w : Load factor (Table 2)

Service life

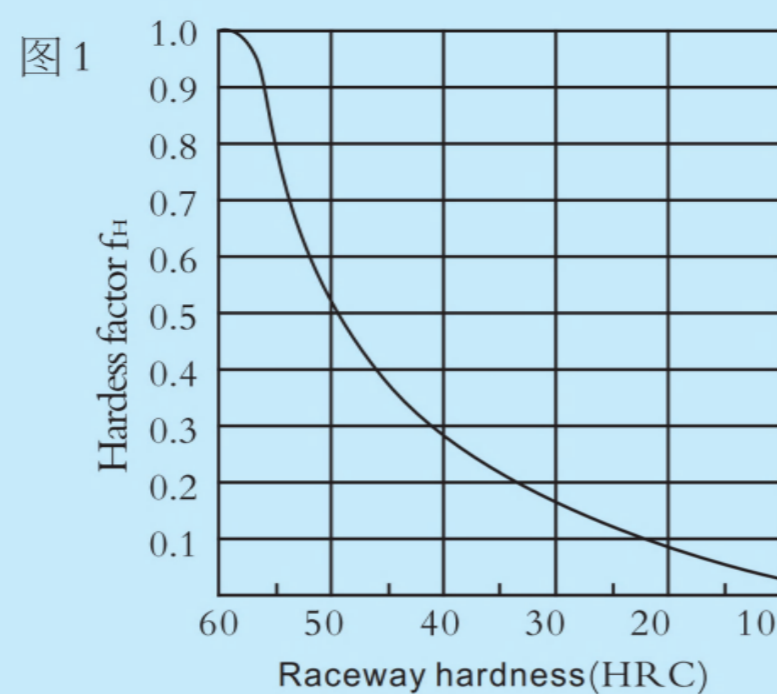
When linear guide system rolls under a load, its raceway and rolling elements constantly receive repetitive stress. If a limit is reached, the raceway fractures from fatigue and part of the surface flakes like scales. This phenomenon is called flaking. The service life of the system refers to the total travel distance until the first event of flaking occurs due to rolling fatigue of the material on the raceway.

$$L^h = \frac{L \times 10^6}{2 \times l_s \times n_1 \times 60}$$

L^h : Service life (h)
 l_s : Stroke (mm)
 n_1 : S.P.M (min)⁻¹

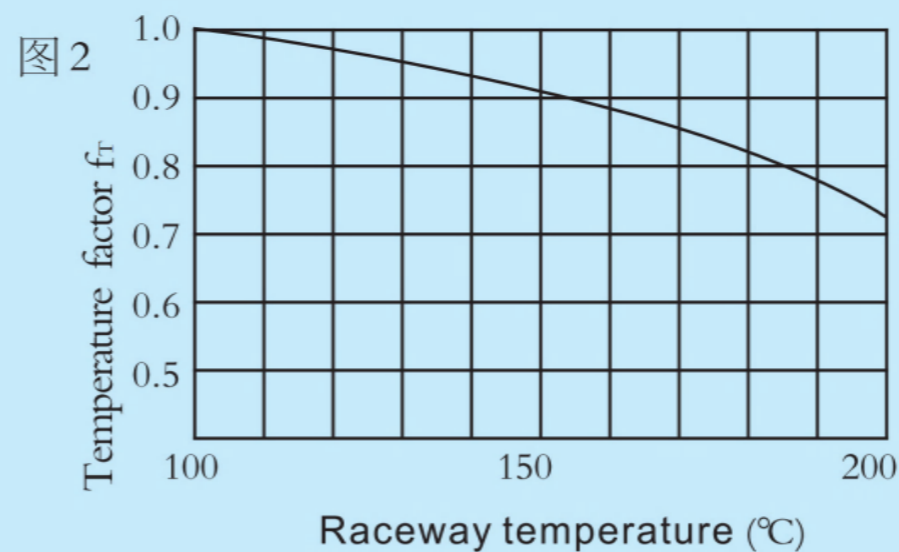
f_H :Hardness factor

To maximize the load capacity of the linear guide system, the hardness of the raceways needs to be between 58 and 64 HRC. If the hardness is lower than this range, the basic dynamic load rating and the basic static load rating decrease. Therefore, it is necessary to multiply each rating by the respective hardness factor. $f_H=1.0$



f_T :Temperature factor

The temperature of the service environment usually not exceeds 80°C. $f_T = 1.0$



f_C :Contact Factor

If multiple Guide blocks are closely arranged with each other, it is difficult to achieve uniform load distribution due to a moment load and the accuracy of the mounting surface. In such applications, multiply basic load ratings "C" and "C0" by the corresponding contact factors in table 1.

Note: If uneven load distribution is expected in a large machine, take into account the respective contact factor indicated in Table 1.

No. of blocks used in close contact	Contact factor f_C
2	0.81
3	0.72
4	0.66
5	0.61
6 or greater	0.6
Normal use	1

f_w : Load Factor

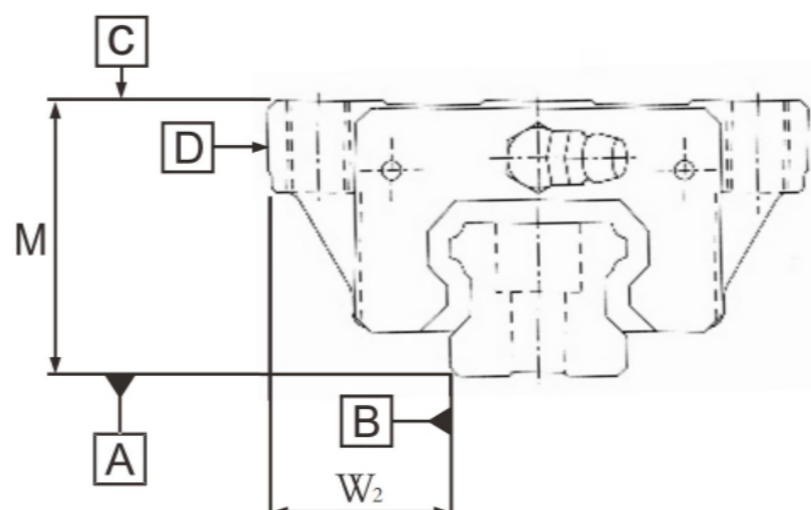
In general, reciprocating machines tend to involve vibrations or impact during operation. It is extremely difficult to accurately determine vibrations generated during high-speed operation and impact during frequent start and stop. Therefore, where the effects of speed and vibration are estimated to be significant, divide the basic dynamic load rating (C) by a load factor selected from Table 2, which contains empirically obtained data.

Vibrations/impact	Speed(V)	f_w
Faint	very low $V \leq 0.25m/s$	1 ~1.2
Weak	Slow $0.25 < V \leq 1m/s$	1.2~1.5
Medium	Medium $1 < V \leq 2m/s$	1.5~2
Strong	High $V > 2m/s$	2 ~3.5



The accuracy of GH

The accuracy of GH series can be classified into normal (no mark), high (H), precision (P), super precision (SP), ultra precision (UP), five classes. Please choose the class by referring the accuracy of applied equipment.



Unit: mm

Model	Accuracy	Normal	High	Precision	Super precision	Ultra precision	
	standard	No Mark	H	P	SP	UP	
15 20	Dimensional tolerance of height M	± 0.07	± 0.03	$\begin{smallmatrix} 0 \\ -0.03 \end{smallmatrix}$	$\begin{smallmatrix} 0 \\ -0.015 \end{smallmatrix}$	$\begin{smallmatrix} 0 \\ -0.008 \end{smallmatrix}$	
	Dimensional tolerance of height double M	0.02	0.01	0.006	0.004	0.003	
	Dimensional tolerance of width W ₂	± 0.06	± 0.03	$\begin{smallmatrix} 0 \\ -0.02 \end{smallmatrix}$	$\begin{smallmatrix} 0 \\ -0.015 \end{smallmatrix}$	$\begin{smallmatrix} 0 \\ -0.008 \end{smallmatrix}$	
	Dimensional tolerance of height double M	0.02	0.01	0.006	0.004	0.003	
	Running parallelism of block surface C to surface A	See follow table					
	Running parallelism of block surface D to surface B	See follow table					
25 30 35	Dimensional tolerance of height M	± 0.08	± 0.04	$\begin{smallmatrix} 0 \\ -0.04 \end{smallmatrix}$	$\begin{smallmatrix} 0 \\ -0.02 \end{smallmatrix}$	$\begin{smallmatrix} 0 \\ -0.01 \end{smallmatrix}$	
	Dimensional tolerance of height double M	0.02	0.015	0.007	0.005	0.003	
	Dimensional tolerance of width W ₂	± 0.07	± 0.03	$\begin{smallmatrix} 0 \\ -0.03 \end{smallmatrix}$	$\begin{smallmatrix} 0 \\ -0.015 \end{smallmatrix}$	$\begin{smallmatrix} 0 \\ -0.01 \end{smallmatrix}$	
	Dimensional tolerance of height double M	0.025	0.015	0.007	0.005	0.003	
	Running parallelism of block surface C to surface A	See follow table					
	Running parallelism of block surface D to surface B	See follow table					
45 55	Dimensional tolerance of height M	± 0.08	± 0.04	$\begin{smallmatrix} 0 \\ -0.05 \end{smallmatrix}$	$\begin{smallmatrix} 0 \\ -0.03 \end{smallmatrix}$	$\begin{smallmatrix} 0 \\ -0.01 \end{smallmatrix}$	
	Dimensional tolerance of height double M	0.025	0.015	0.007	0.005	0.003	
	Dimensional tolerance of width W ₂	± 0.07	± 0.04	$\begin{smallmatrix} 0 \\ -0.04 \end{smallmatrix}$	$\begin{smallmatrix} 0 \\ -0.025 \end{smallmatrix}$	$\begin{smallmatrix} 0 \\ -0.01 \end{smallmatrix}$	
	Dimensional tolerance of height double M	0.03	0.015	0.007	0.005	0.003	
	Running parallelism of block surface C to surface A	See follow table					
	Running parallelism of block surface D to surface B	See follow table					
65 85 100 120 150	Dimensional tolerance of height M	± 0.08	± 0.04	$\begin{smallmatrix} 0 \\ -0.05 \end{smallmatrix}$	$\begin{smallmatrix} 0 \\ -0.04 \end{smallmatrix}$	$\begin{smallmatrix} 0 \\ -0.03 \end{smallmatrix}$	
	Dimensional tolerance of height double M	0.03	0.02	0.01	0.007	0.005	
	Dimensional tolerance of width W ₂	± 0.08	± 0.04	$\begin{smallmatrix} 0 \\ -0.05 \end{smallmatrix}$	$\begin{smallmatrix} 0 \\ -0.04 \end{smallmatrix}$	$\begin{smallmatrix} 0 \\ -0.03 \end{smallmatrix}$	
	Dimensional tolerance of height double M	0.03	0.02	0.01	0.007	0.005	
	Running parallelism of block surface C to surface A	See follow table					
	Running parallelism of block surface D to surface B	See follow table					

Accuracy of running parallelism

Unit: μm

Rail length (mm)		Values				
from	to	Normal	H	P	SP	UP
-	100	12	7	3	2	2
100	200	14	9	4	2	2
200	300	15	10	5	3	2
300	500	17	12	6	3	2
500	700	20	13	7	4	2
700	900	22	15	8	5	3
900	1100	24	16	9	6	3
1100	1500	26	18	11	7	4
1500	1900	28	20	13	8	4
1900	2500	31	22	15	10	5
2500	3100	33	25	18	11	6
3100	3600	36	27	20	14	7
3600	4000	37	28	21	15	7



精密綫性滑軌

PRECISION LINEAR GUIDEWAYS

預壓等級

Preload classes

GH 系列綫性滑軌提供三種標準預壓，可依據用途選擇適當預壓力。

GH offers three classes of standard preload for various applications and conditions.

預壓等級 Class	標記 Code	預壓力 Preload	使用條件 Condition	適用範圍 Examples of Application
無預壓 Light Preload	Z0	0~ 0.02C	負荷方向固定且衝擊小，精度要求低 Certain load direction, low impact, low precision required	搬送裝置，自動包裝機，自動化產業機械，一般工業機械的XY軸，焊接機，熔斷機，工具交換裝置 Transportation devices, auto-packing machines, X-Y axis for general industrial machines, welding machines, welders
中預壓 Medium Preload	ZA	0.05C-0.07C	輕負荷且要求高精度 High precision required	一般工業機械的Z軸，放電加工機，NC車床，精密XY平台，測定器，機械加工中心，立式加工中心，工業用機器人，自動塗裝機，各種高速材料供給裝置 Machining centers, Z axis for general industrial machines, EDM, NC lathes, Precision X-Y tables, measuring equipment
重預壓 Heavy Preload	ZB	0.10C~ 0.12C	剛性要求，且有振動，衝擊之使用環境 High rigidity required, with vibration and impact	機械加工中心，磨床，NC車床，立式或臥式銑床，機床的Z軸，重切削加工機 Machining centers, grinding machines, NC lathes, horizontal and vertical milling machines, Z axis of machine tools, Heavy cutting machines
等級 Class	互換性線軌 (單出件) Interchangeable Guideway		非互換性線軌 (組合件) Non-Interchangeable Guideway	
預壓等級 Preload classes	Z0, ZA		Z0, ZA, ZB	

除了一般上鎖式螺栓孔滑軌外，亦提供下鎖式螺絲孔滑軌，方便客戶安裝使用。

Besides the standard top mounting type, also offers the bottom mounting type of rails to customers.

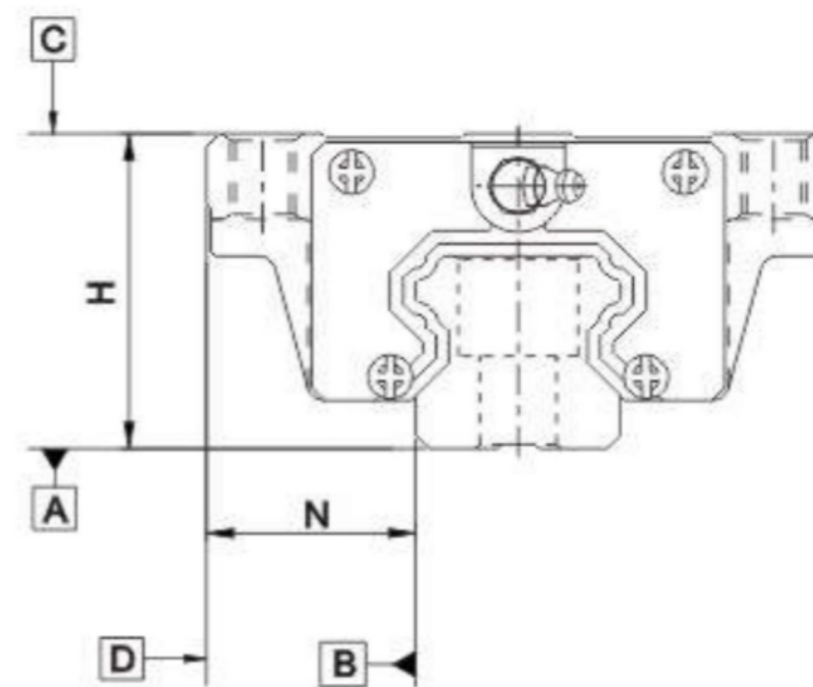


精度等級

Accuracy Classes

GH系列綫性滑軌的精度，分為普通、高、精密、超精密、超高精密級共五級，客戶可依設備精度需求選用精度。

The accuracy of GH series can be classified into normal (C), high (H), precision (P), super precision (SP), ultra precision (UP), five classes. Please choose the class by referring the accuracy of applied equipment.





精密綫性滑軌

PRECISION LINEAR GUIDEWAYS

互換性綫性滑軌精度 Accuracy of interchangeable guideways

單出件精度表 Accuracy Standards

單位：mm

型號 Item	GH - 15, 20		
精度等級 Accuracy Classes	普通級 Normal (C)	高級 High (H)	精密級 Precision (P)
高度H的容許尺寸誤差 Dimensional tolerance of height H	± 0.1	± 0.03	± 0.015
寬度N的容許尺寸誤差 Dimensional tolerance of width N	± 0.1	± 0.03	± 0.015
成對高度H的相互誤差 Variation of height H	0.02	0.01	0.006
成對寬度N的相互誤差 Variation of width N	0.02	0.01	0.006
滑塊C面對滑軌A面的行走平行度 Running parallelism of block surface C to surface A	行走平行度 See Table		
滑塊D面對滑軌B面的行走平行度 Running parallelism of block surface D to surface B	行走平行度 See Table		
型號 Item	GH - 25, 30, 35		
精度等級 Accuracy Classes	普通級 Normal (C)	高級 High (H)	精密級 Precision (P)
高度H的容許尺寸誤差 Dimensional tolerance of height H	± 0.1	± 0.04	± 0.02
寬度N的容許尺寸誤差 Dimensional tolerance of width N	± 0.1	± 0.04	± 0.02
成對高度H的相互誤差 Variation of height H	0.02	0.015	0.007
成對寬度N的相互誤差 Variation of width N	0.03	0.015	0.007
滑塊C面對滑軌A面的行走平行度 Running parallelism of block surface C to surface A	行走平行度 See Table		
滑塊D面對滑軌B面的行走平行度 Running parallelism of block surface D to surface B	行走平行度 See Table		
型號 Item	GH - 45, 55		
精度等級 Accuracy Classes	普通級 Normal (C)	高級 High (H)	精密級 Precision (P)
高度H的容許尺寸誤差 Dimensional tolerance of height H	± 0.1	± 0.05	± 0.025
寬度N的容許尺寸誤差 Dimensional tolerance of width N	± 0.1	± 0.05	± 0.025
成對高度H的相互誤差 Variation of height H	0.03	0.015	0.007
成對寬度N的相互誤差 Variation of width N	0.03	0.02	0.01
滑塊C面對滑軌A面的行走平行度 Running parallelism of block surface C to surface A	行走平行度 See Table		
滑塊D面對滑軌B面的行走平行度 Running parallelism of block surface D to surface B	行走平行度 See Table		

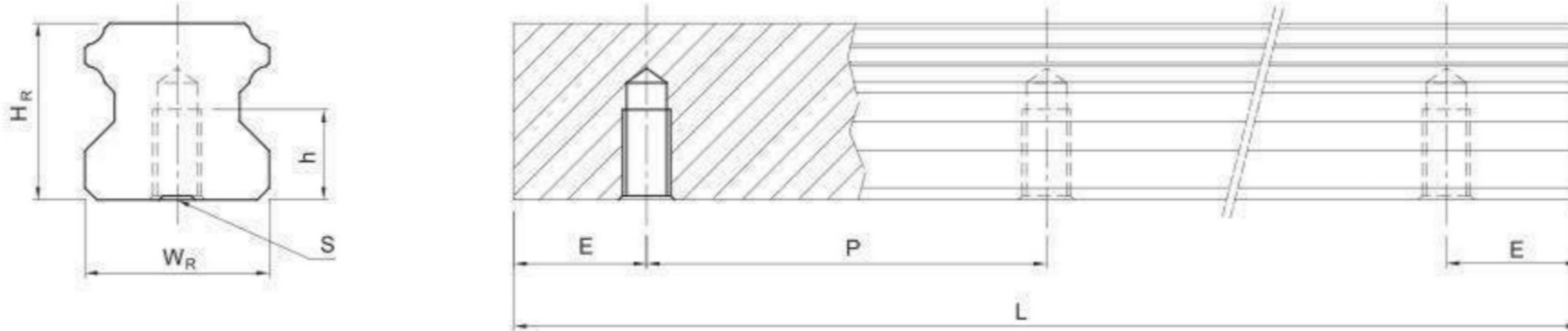
行走平行度精度 Accuracy of Running Parallelism

滑軌長度 (mm) Rail Length (mm)	精度等級 (μm) Accuracy (μm)				
	C	H	P	SP	UP
0 ~ 100	12	7	3	2	2
100 ~ 200	14	9	4	2	2
200 ~ 300	15	10	5	3	2
300 ~ 500	17	12	6	3	2
500 ~ 700	20	13	7	4	2
700 ~ 900	22	15	8	5	3
900 ~ 1,100	24	16	9	6	3
1,100 ~ 1,500	26	18	11	7	4
1,500 ~ 1,900	28	20	13	8	4
1,900 ~ 2,500	31	22	15	10	5
2,500 ~ 3,100	33	25	18	11	6
3,100 ~ 3,600	36	27	20	14	7
3,600 ~ 4,000	37	28	21	15	7



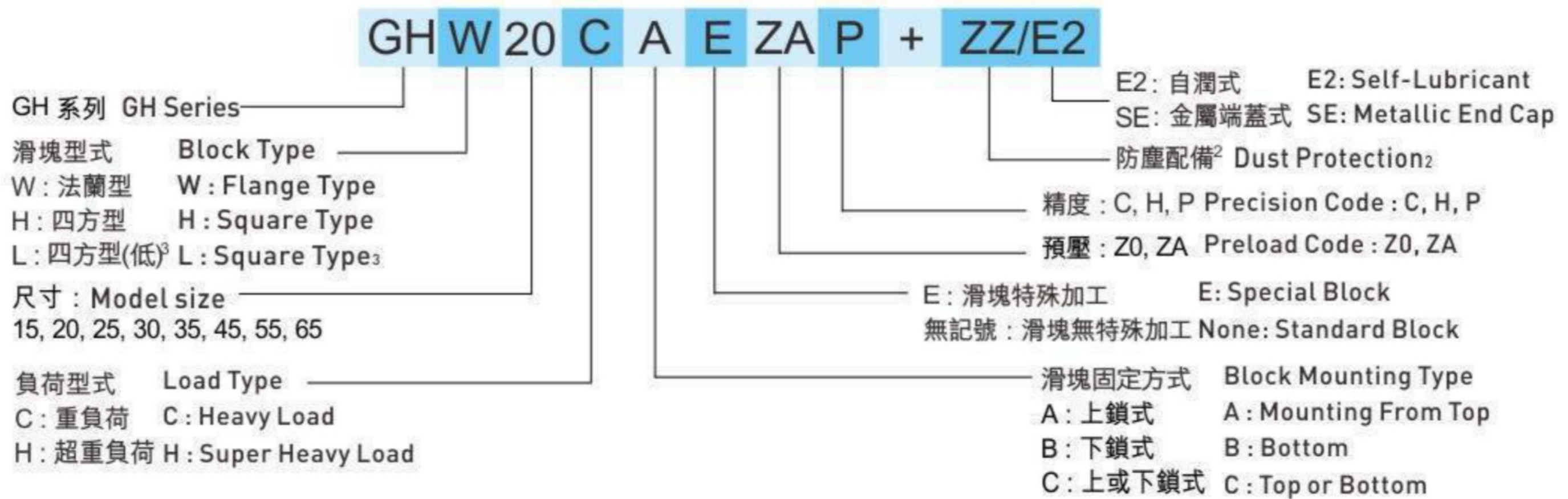
GHR-T 下鎖式滑軌系列尺寸表

Dimensions for GHR-T (Rail Mounting from Bottom)

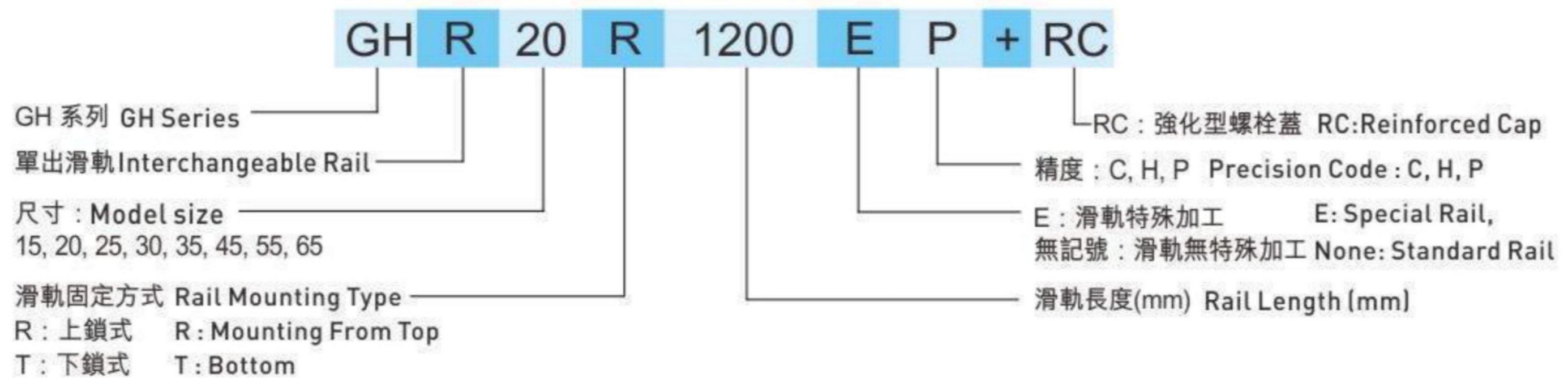


型號 Model No.	滑軌尺寸 (mm) Dimensions of Rail						重量 Weight (kg/m)
	W _R	H _R	S	h	P	E	
GHR15T	15	15	M5 x 0.8P	8	60	20	1.48
GHR20T	20	17.5	M6 x 1P	10	60	20	2.29
GHR25T	23	22	M6 x 1P	12	60	20	3.35
GHR30T	28	26	M8 x 1.25P	15	80	20	4.67
GHR35T	34	29	M8 x 1.25P	17	80	20	6.51
GHR45T	45	38	M12 x 1.75P	24	105	22.5	10.87
GHR55T	53	44	M14 x 2P	24	120	30	15.67
GHR65T	63	53	M20 x 2.5P	30	150	35	21.73

互換性線性滑軌產品型號 Interchangeable type



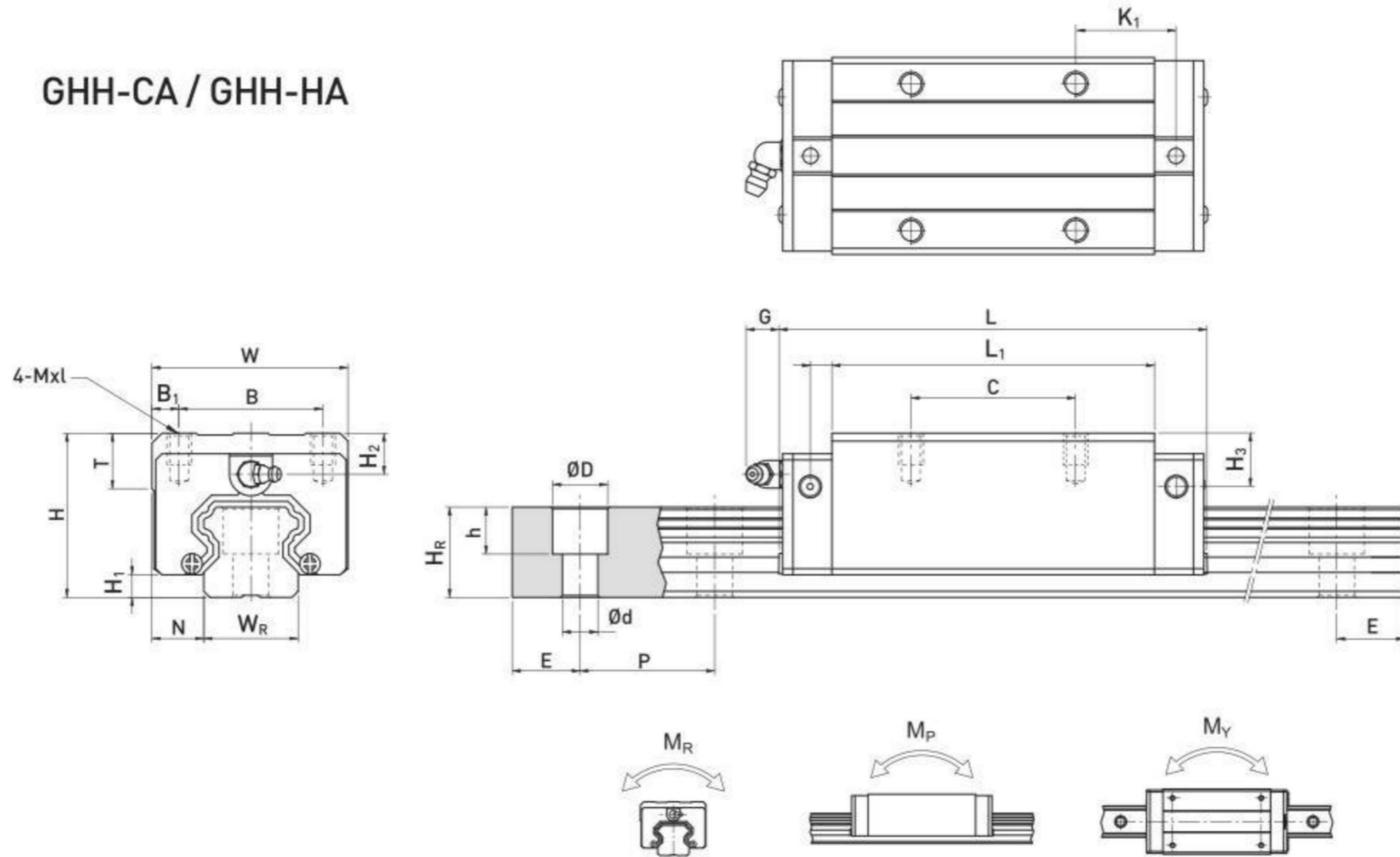
互換型滑軌產品型號





GH 系列綫性導軌尺寸表
Dimensions for GH Series Linear Guideways

GHH-CA / GHH-HA



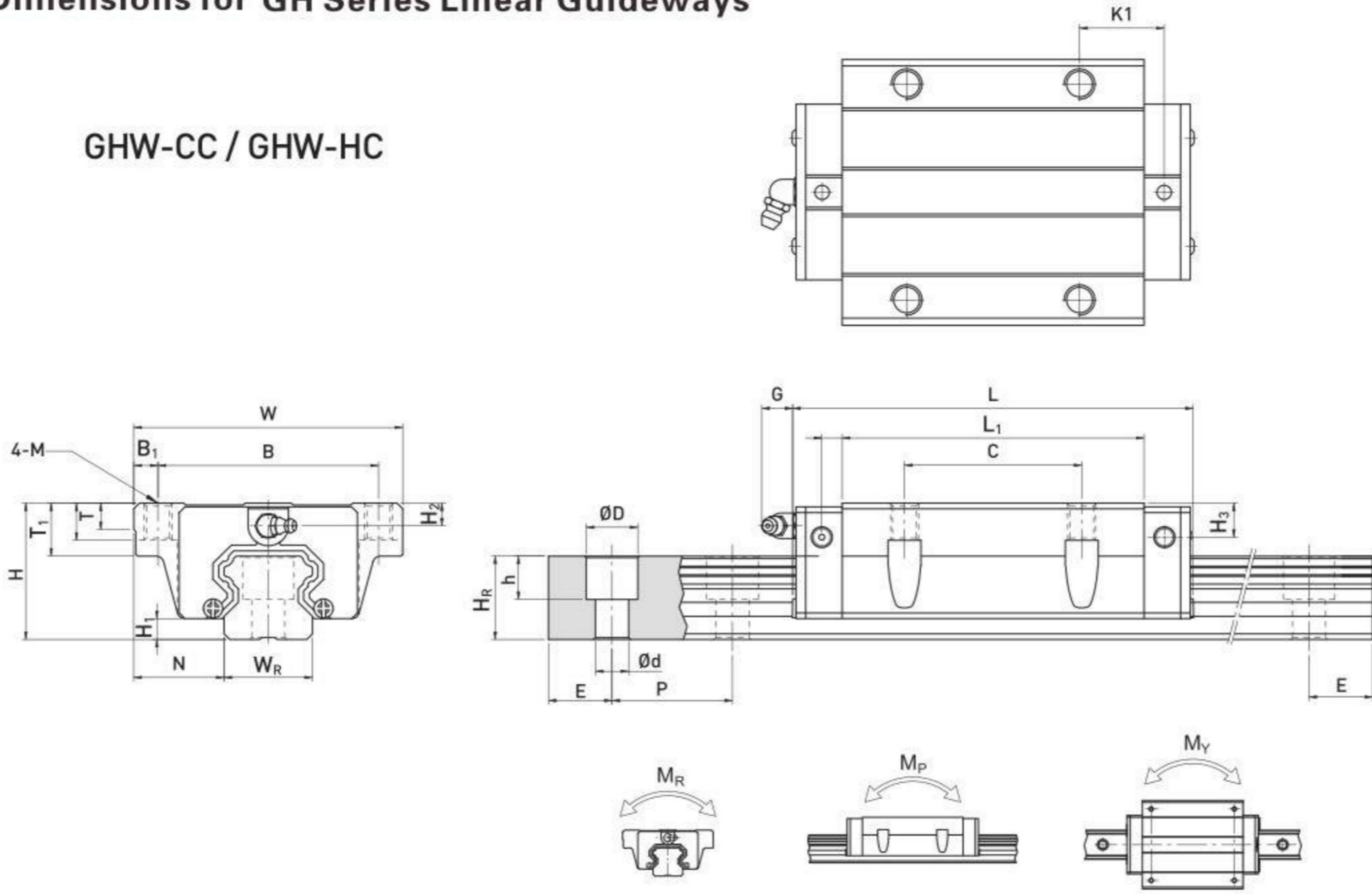
型號 Model No.	組件尺寸 (mm) Dimensions of Assembly			滑塊尺寸 (mm) Dimensions of Block										滑軌尺寸 (mm) Dimensions of Rail							滑軌固定 螺栓尺寸 Mounting Bolt for Rail (mm)	額定動 載核 Basic Dynamic Load Rating C(kN)	額定靜 載核 Basic Static Load Rating C ₀ (kN)	容許靜力矩 Static Rated Moment (kgf.m)			重量 Weight			
	H	H ₁	N	W	B	B ₁	C	L ₁	L	K ₁	G	Mxl	T	H ₂	H ₃	W _R	H _R	D	h	d				P	E	M _R	M _P	M _Y	滑塊 Block kg	滑軌 Rail kg/m
	kN-m	kN-m	kN-m	kg	kg/m																									
GHH 15CA	28	4.3	9.5	34	26	4	26	39.4	61.4	10	5.3	M4x5	6	7.95	7.7	15	15	7.5	5.3	4.5	60	20	M4x16	11.38	16.97	0.12	0.10	0.10	0.18	1.45
GHH 20CA	30	4.6	12	44	32	6	36	50.5	77.5	12.25	12	M5x6	8	6	6	20	17.5	9.5	8.5	6	60	20	M5x16	17.75	27.76	0.27	0.20	0.20	0.30	2.21
GHH 20HA							50	65.2	92.2	12.6														21.18	35.9	0.35	0.35	0.35	0.39	
GHH 25CA	40	5.5	12.5	48	35	6.5	35	58	84	15.7	12	M6x8	8	10	9	23	22	11	9	7	60	20	M6x20	26.48	36.49	0.42	0.33	0.33	0.51	3.21
GHH 25HA							50	78.6	104.6	18.5														32.75	49.44	0.56	0.57	0.57	0.69	
GHH 30CA	45	6	16	60	40	10	40	70	97.4	20.25	12	M8x10	8.5	9.5	13.8	28	26	14	12	9	80	20	M8x25	38.74	52.19	0.66	0.53	0.53	0.88	4.47
GHH 30HA							60	93	120.4	21.75														47.27	69.16	0.88	0.92	0.92	1.16	
GHH 35CA	55	7.5	18	70	50	10	50	80	112.4	20.6	12	M8x12	10.2	16	19.6	34	29	14	12	9	80	20	M8x25	49.52	69.16	1.16	0.81	0.81	1.45	6.30
GHH 35HA							72	105.8	138.2	22.5														60.21	91.63	1.54	1.40	1.40	1.92	
GHH 45CA	70	9.5	20.5	86	60	13	60	97	139.4	23	12.9	M10x17	16	18.5	30.5	45	38	20	17	14	105	22.5	M12x35	77.57	102.71	1.98	1.55	1.55	2.73	10.41
GHH 45HA							80	128.8	171.2	28.9														94.54	136.46	2.63	2.68	2.68	3.61	
GHH 55CA	80	13	23.5	100	75	12.5	75	117.7	166.7	27.35	12.9	M12x18	17.5	22	29	53	44	23	20	16	120	30	M14x45	114.44	148.33	3.69	2.64	2.64	4.17	15.08
GHH 55HA							95	155.8	204.8	36.4														139.35	196.2	4.88	4.57	4.57	5.49	
GHH 65CA	90	15	31.5	126	76	25	70	144.2	200.2	43.1	12.9	M16x20	25	15	15	63	53	26	22	18	150	35	M16x50	163.63	215.33	6.65	4.27	4.27	7.00	21.18
GHH 65HA							120	203.6	259.6	47.8														208.36	303.13	9.38	7.38	7.38	9.82	

註 : 1 kgf = 9.81 N



GH 系列綫性導軌尺寸表
Dimensions for GH Series Linear Guideways

GHW-CC / GHW-HC



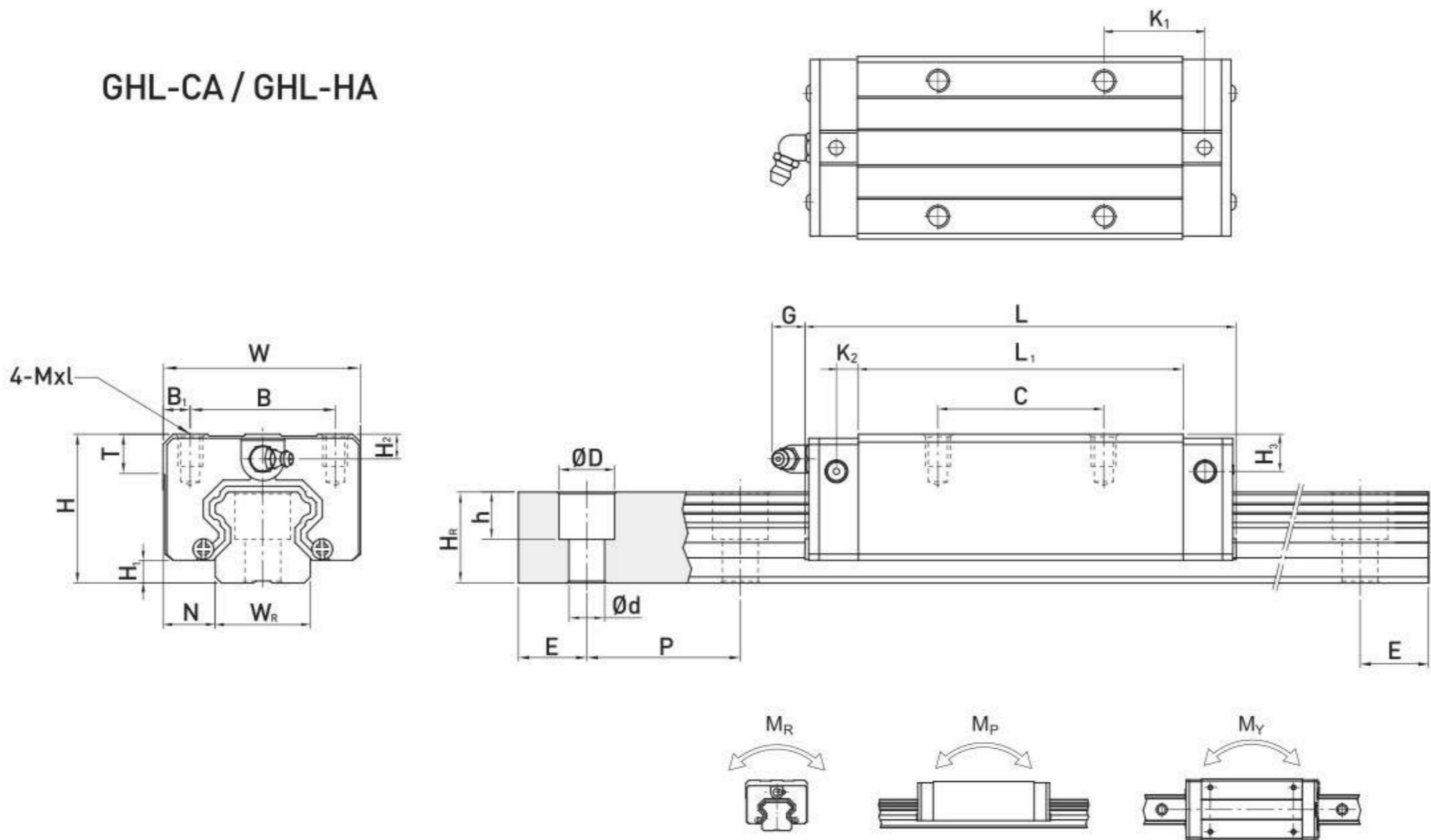
型號 Model No.	組件尺寸 (mm) Dimensions of Assembly			滑塊尺寸 (mm) Dimensions of Block													滑軌尺寸 (mm) Dimensions of Rail						滑軌固定 螺栓尺寸 Mounting Bolt for Rail (mm)	額定動 載核 Basic Dynamic Load Rating C(kN)	額定靜 載核 Basic Static Load Rating Co (kN)	容許靜力矩 Static Rated Moment (kgf.m)			重量 Weight		
	H	H1	N	W	B	B1	C	L1	L	K1	G	M	T	T1	H2	H3	WR	HR	D	h	d	P				E	MR	MP	MY	滑塊 Block kg	滑軌 Rail kg/m
GHW 15CC	24	4.3	16	47	38	4.5	30	39.4	61.4	8	5.3	M5	6	8.9	3.95	3.7	15	15	7.5	5.3	4.5	60	20	M4x16	11.38	16.97	0.12	0.10	0.10	0.17	1.45
GHW 20CC	30	4.6	21.5	63	53	5	40	50.5	77.5	10.25	12	M6	8	10	6	6	20	17.5	9.5	8.5	6	60	20	M5x16	17.75	27.76	0.27	0.20	0.20	0.40	2.21
GHW 20HC								65.2	92.2	17.6															21.18	35.9	0.35	0.35	0.35	0.52	
GHW 25CC	36	5.5	23.5	70	57	6.5	45	58	84	10.7	12	M8	8	14	6	5	23	22	11	9	7	60	20	M6x20	26.48	36.49	0.42	0.33	0.33	0.59	3.21
GHW 25HC								78.6	104.6	21															32.75	49.44	0.56	0.57	0.57	0.80	
GHW 30CC	42	6	31	90	72	9	52	70	97.4	14.25	12	M10	8.5	16	6.5	10.8	28	26	14	12	9	80	20	M8x25	38.74	52.19	0.66	0.53	0.53	1.09	4.47
GHW 30HC								93	120.4	25.75															47.27	69.16	0.88	0.92	0.92	1.44	
GHW 35CC	48	7.5	33	100	82	9	62	80	112.4	14.6	12	M10	10.1	18	9	12.6	34	29	14	12	9	80	20	M8x25	49.52	69.16	1.16	0.81	0.81	1.56	6.30
GHW 35HC								105.8	138.2	27.5															60.21	91.63	1.54	1.40	1.40	2.06	
GHW 45CC	60	9.5	37.5	120	100	10	80	97	139.4	13	12.9	M12	15.1	22	8.5	20.5	45	38	20	17	14	105	22.5	M12x35	77.57	102.71	1.98	1.55	1.55	2.79	10.41
GHW 45HC								128.8	171.2	28.9															94.54	136.46	2.63	2.68	2.68	3.69	
GHW 55CC	70	13	43.5	140	116	12	95	117.7	166.7	17.35	12.9	M14	17.5	26.5	12	19	53	44	23	20	16	120	30	M14x45	114.44	148.33	3.69	2.64	2.64	4.52	15.08
GHW 55HC								155.8	204.8	36.4															139.35	196.2	4.88	4.57	4.57	5.96	
GHW 65CC	90	15	53.5	170	142	14	110	144.2	200.2	23.1	12.9	M16	25	37.5	15	15	63	53	26	22	18	150	35	M16x50	163.63	215.33	6.65	4.27	4.27	9.17	21.18
GHW 65HC								203.6	259.6	52.8															208.36	303.13	9.38	7.38	7.38	12.89	

註 : 1 kgf = 9.81 N



GH 系列綫性導軌尺寸表
Dimensions for GH Series Linear Guideways

GHL-CA / GHL-HA



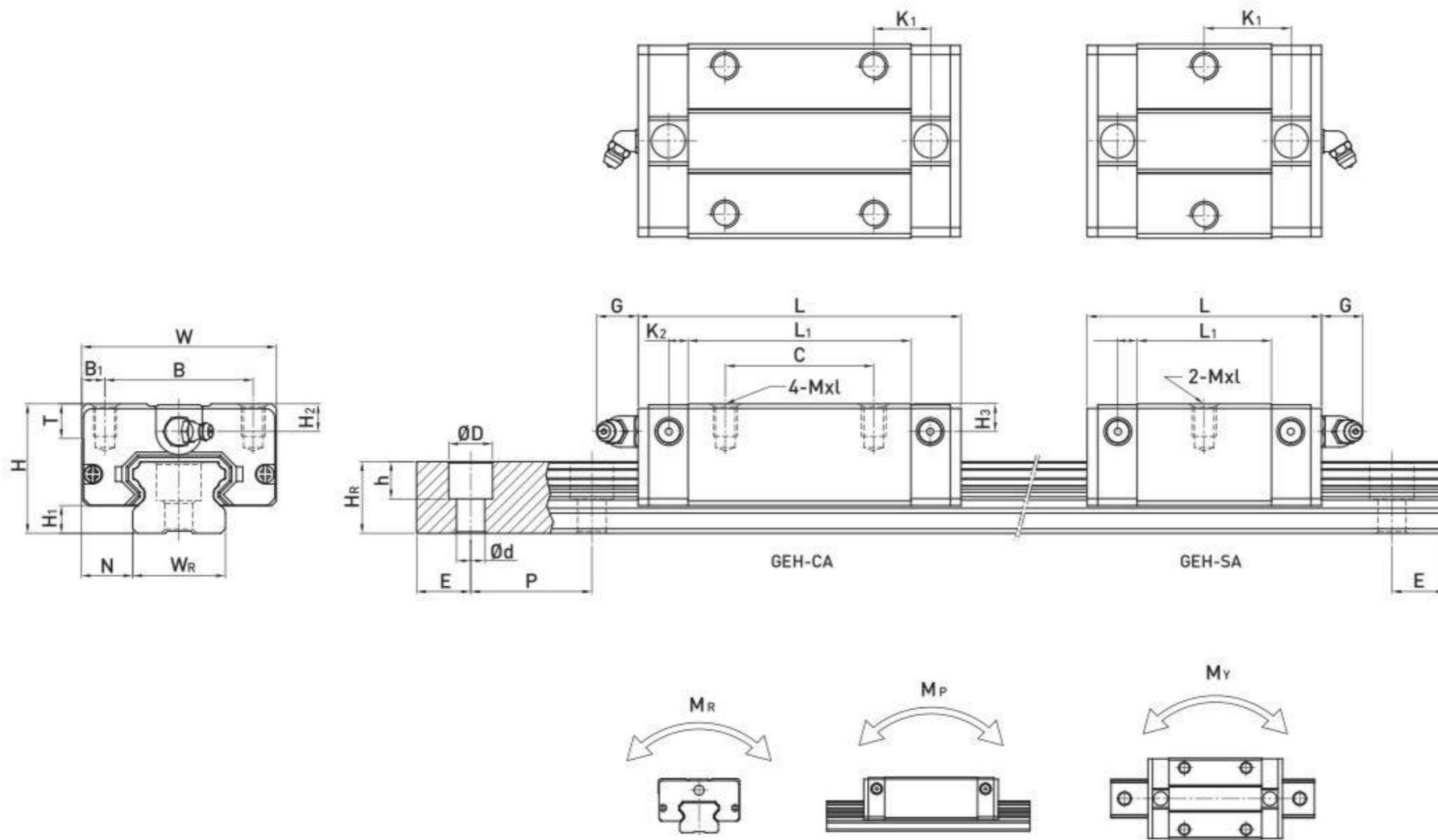
型號 Model No.	組件尺寸 (mm) Dimensions of Assembly		滑塊尺寸 (mm) Dimensions of Block													滑軌尺寸 (mm) Dimensions of Rail						滑軌固定 螺栓尺寸 Mounting Bolt for Rail	額定動載核 Basic Dynamic Load Rating	額定靜載核 Basic Static Load Rating	容許靜力矩 Static Rated Moment (kgf.m)			重量 Weight			
	H	H ₁	N	W	B	B ₁	C	L ₁	L	K ₁	K ₂	G	Mxl	T	H ₂	H ₃	W _R	H _R	D	h	d	P	E	(mm)	C(kN)	C ₀ (kN)	M _R	M _P	M _Y	滑塊 Block	滑軌 Rail
	kgf	kgf	mm	mm	mm	mm	mm	mm	mm	mm	mm	mm	mm	mm	mm	mm	mm	mm	mm	mm	mm	mm	mm	mm	mm	mm	kgf	kgf	kgf	kgf	kgf
GHL 15CA	24	4.3	9.5	34	26	4	26	39.4	61.4	10	4.85	5.3	M4x4	6	3.95	3.7	15	15	7.5	5.3	4.5	60	20	M4x16	11.38	16.97	0.12	0.10	0.10	0.14	1.45
GHL 25CA	36	5.5	12.5	48	35	6.5	35	58	84	15.7	6	12	M6x6	8	6	5	23	22	11	9	7	60	20	M6x20	26.48	36.49	0.42	0.33	0.33	0.42	3.21
GHL 25HA							50	78.6	104.6	18.5																	0.56	0.57	0.57	0.57	
GHL 30CA	42	6	16	60	40	10	40	70	97.4	20.25	6	12	M8x10	8.5	6.5	10.8	28	26	14	12	9	80	20	M8x25	38.74	52.19	0.66	0.53	0.53	0.78	4.47
GHL 30HA							60	93	120.4	21.75																	0.88	0.92	0.92	1.03	
GHL 35CA	48	7.5	18	70	50	10	50	80	112.4	20.6	7	12	M8x12	10.2	9	12.6	34	29	14	12	9	80	20	M8x25	49.52	69.16	1.16	0.81	0.81	1.14	6.30
GHL 35HA							72	105.8	138.2	22.5																	1.54	1.40	1.40	1.52	
GHL 45CA	60	9.5	20.5	86	60	13	60	97	139.4	23	10	12.9	M10x17	16	8.5	20.5	45	38	20	17	14	105	22.5	M12x35	77.57	102.71	1.98	1.55	1.55	2.08	10.41
GHL 45HA							80	128.8	171.2	28.9																	2.63	2.68	2.68	2.75	
GHL 55CA	70	13	23.5	100	75	12.5	75	117.7	166.7	27.35	11	12.9	M12x18	17.5	12	19	53	44	23	20	16	120	30	M14x45	114.44	148.33	3.69	2.64	2.64	3.25	15.08
GHL 55HA							95	155.8	204.8	36.4																	4.88	4.57	4.57	4.27	

註 : 1 kgf = 9.81 N



GE 系列綫性導軌尺寸表
Dimensions for GE Series Linear Guideways

GEH-SA / GEH-CA



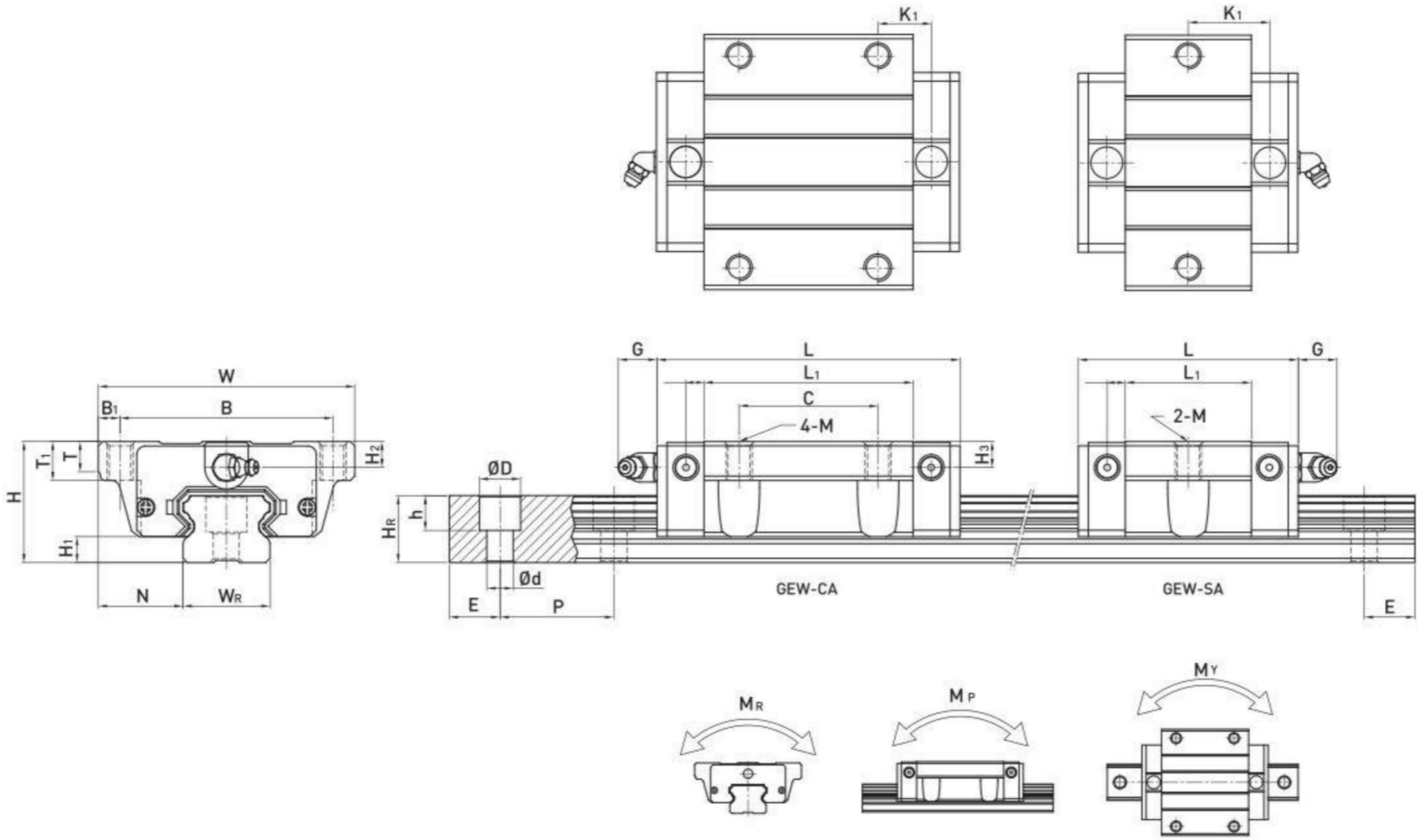
型號 Model No.	組件尺寸 (mm) Dimensions of Assembly			滑塊尺寸 (mm) Dimensions of Block										滑軌尺寸 (mm) Dimensions of Rail						滑軌固定 螺柱尺寸 Mounting Bolt for Rail (mm)	額定動 載核 Basic Dynamic Load Rating C(kN)	額定靜 載核 Basic Static Load Rating C ₀ (kN)	容許靜力矩 Static Rated Moment (kgf.m)			重量 Weight				
	H	H ₁	N	W	B	B ₁	C	L ₁	L	K ₁	G	Mxl	T	H ₂	H ₃	W _R	H _R	D	h				d	P	E	M _R kN-m	M _P kN-m	M _Y kN-m	滑塊 Block kg	滑軌 Rail kg/m
GEH15SA	24	4.5	9.5	34	26	4	-	23.1	40.1	14.8	5.7	M4x6	6	5.5	6	15	12.5	6	4.5	3.5	60	20	M3x16	5.35	9.40	0.08	0.04	0.04	0.09	1.25
GEH15CA							26	39.8	56.8	10.15														7.83	16.19	0.13	0.10	0.10		
GEH20SA	28	6	11	42	32	5	-	29	50	18.75	12	M5x7	7.5	6	6	20	15.5	9.5	8.5	6	60	20	M5x16	7.23	12.74	0.13	0.06	0.06	0.15	2.08
GEH20CA							32	48.1	69.1	12.3														10.31	21.13	0.22	0.16	0.16		
GEH25SA	33	7	12.5	48	35	6.5	-	35.5	59.1	21.9	12	M6x9	8	8	8	23	18	11	9	7	60	20	M6x20	11.40	19.50	0.23	0.12	0.12	0.25	2.67
GEH25CA							35	59	82.6	16.15														16.27	32.40	0.38	0.32	0.32		
GEH30SA	42	10	16	60	40	10	-	41.5	69.5	26.75	12	M8x12	9	8	9	28	23	11	9	7	80	20	M6x25	16.42	28.10	0.40	0.21	0.21	0.45	4.35
GEH30CA							40	70.1	98.1	21.05														23.70	47.46	0.68	0.55	0.55		

註 : 1 kgf = 9.81 N



GE 系列綫性導軌尺寸表
Dimensions for GE Series Linear Guideways

GEW-SA / GEW-CA



型號 Model No.	組件尺寸 (mm) Dimensions of Assembly		滑塊尺寸 (mm) Dimensions of Block														滑軌尺寸 (mm) Dimensions of Rail										滑軌固定 螺栓尺寸 Mounting Bolt for Rail (mm)	額定動 載核 Basic Dynamic Load Rating C (kN)	額定靜 載核 Basic Static Load Rating C ₀ (kN)	容許靜力矩 Static Rated Moment (kgf.m)			重量 Weight	
	H	H ₁	N	W	B	B ₁	C	L ₁	L	K ₁	G	M	T	T ₁	H ₂	H ₃	W _R	H _R	D	h	d	P	E	M _R	M _P	M _Y				滑塊 Block kg	滑軌 Rail kg/m			
	容許靜力矩 Static Rated Moment (kgf.m)		容許靜力矩 Static Rated Moment (kgf.m)		容許靜力矩 Static Rated Moment (kgf.m)		容許靜力矩 Static Rated Moment (kgf.m)		容許靜力矩 Static Rated Moment (kgf.m)		容許靜力矩 Static Rated Moment (kgf.m)		容許靜力矩 Static Rated Moment (kgf.m)		容許靜力矩 Static Rated Moment (kgf.m)		容許靜力矩 Static Rated Moment (kgf.m)		容許靜力矩 Static Rated Moment (kgf.m)		容許靜力矩 Static Rated Moment (kgf.m)		容許靜力矩 Static Rated Moment (kgf.m)		容許靜力矩 Static Rated Moment (kgf.m)									
GEW 15SA	24	4.5	18.5	52	41	5.5	-	23.1	40.1	14.8	5.7	M5	5	7	5.5	6	15	12.5	6	4.5	3.5	60	20	M3x16	5.35	9.40	0.08	0.04	0.04	0.12	1.25			
GEW 15CA							26	39.8	56.8	10.15																								
GEW 20SA	28	6	19.5	59	49	5	-	29	50	18.75	12	M6	7	9	6	6	20	15.5	9.5	8.5	6	60	20	M5x16	7.23	12.74	0.13	0.06	0.06	0.19	2.08			
GEW 20CA																											32	48.1	69.1	12.3				
GEW 25SA	33	7	25	73	60	6.5	-	35.5	59.1	21.9	12	M8	7.5	10	8	8	23	18	11	9	7	60	20	M6x20	11.40	19.50	0.23	0.12	0.12	0.35	2.67			
GEW 25CA																											35	59	82.6	16.15				
GEW 30SA	42	10	31	90	72	9	-	41.5	69.5	26.75	12	M10	7	10	8	9	28	23	11	9	7	80	20	M6x25	16.42	28.10	0.40	0.21	0.21	0.62	4.35			
GEW 30CA																											40	70.1	98.1	21.05				

註 : 1 kgf = 9.81 N

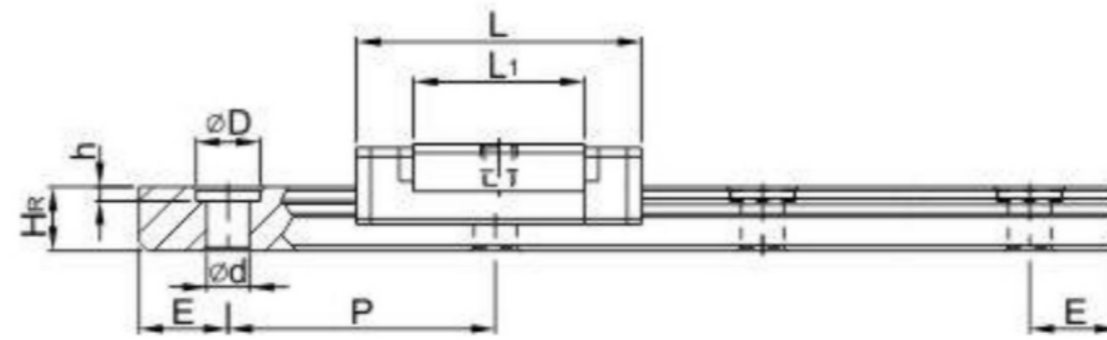
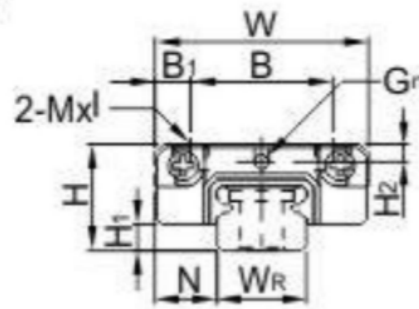


GMN 微型綫性系列導軌尺寸表

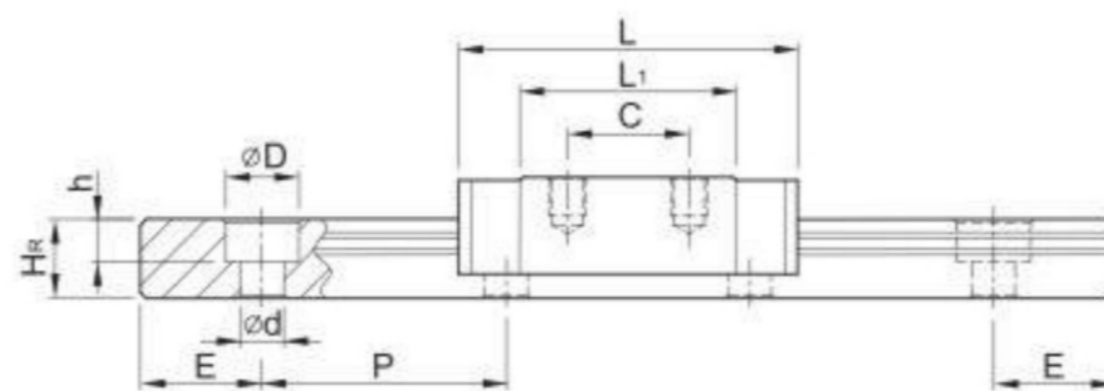
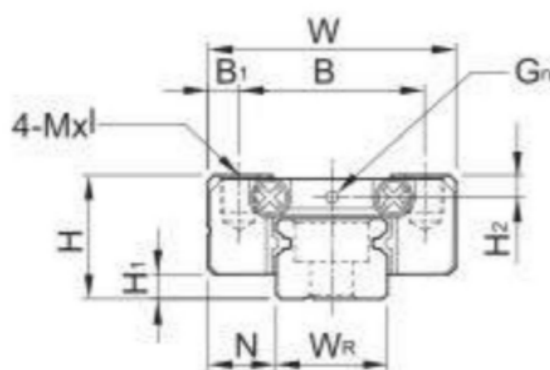
Dimensions for GMN Series Miniature Linear Guideways

GMN-C / GMN-H

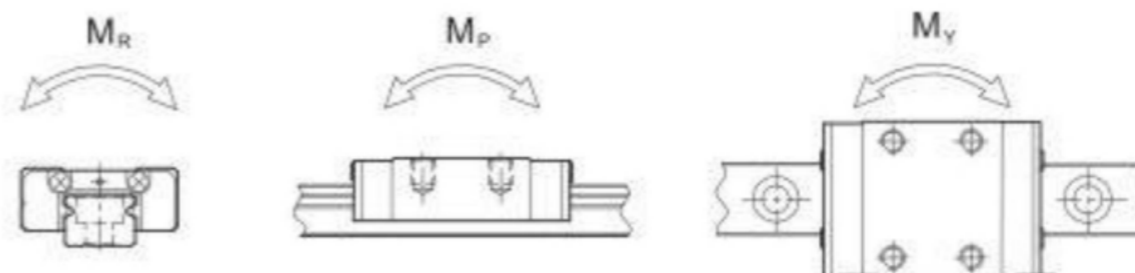
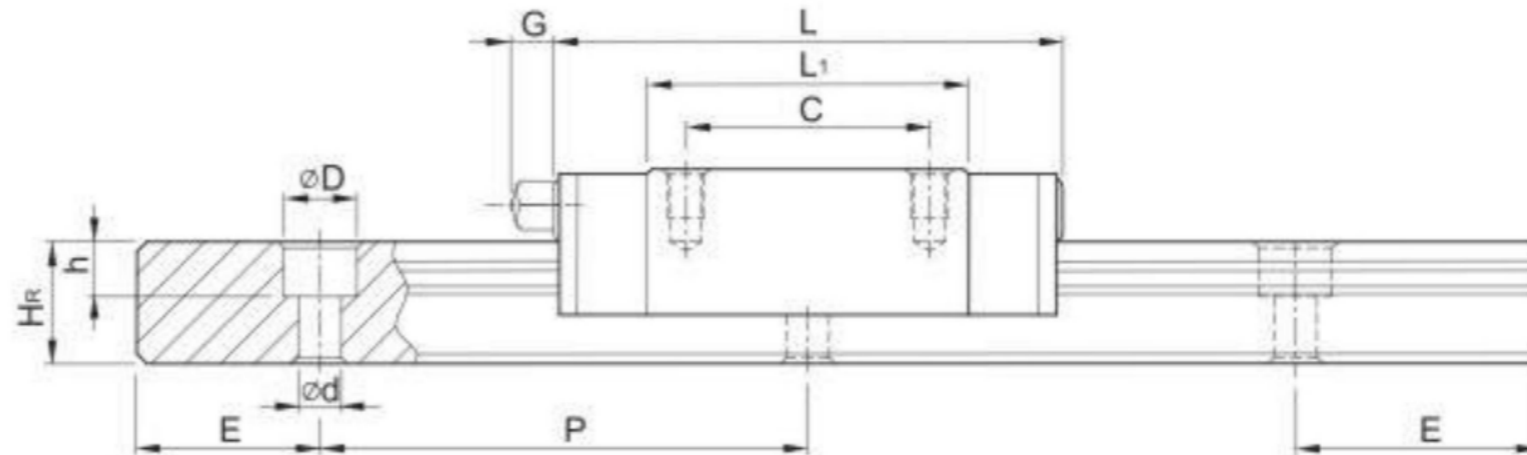
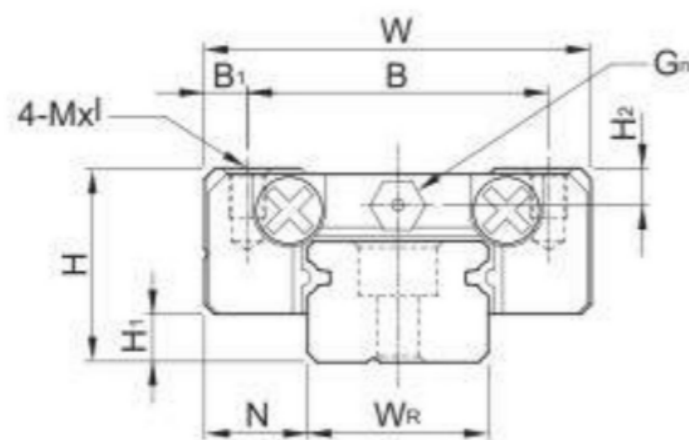
GMN5



GMN7, GMN9, GMN12



GMN15



型號 Model No.	組件尺寸 (mm) Dimensions of Assembly			滑塊尺寸 (mm) Dimensions of Block										滑軌尺寸 (mm) Dimensions of Rail						滑軌固定 螺栓尺寸 Mounting Bolt for Rail (mm)	額定動 載核 Basic Dynamic Load Rating C(kN)	額定靜 載核 Basic Static Load Rating C0(kN)	容許靜力矩 Static Rated Moment (kgf.m)			重量 Weight		
	H	H1	N	W	B	B1	C	L1	L	G	Gn	Mxl	H2	WR	HR	D	h	d	P				E	MR	MP	MV	滑塊 Block kg	滑軌 Rail kg/m
	N-m	N-m	N-m																									
GMN5C	6	1.5	3.5	12	8	2	-	9.6	16	-	Ø0.8	M2x1.5	1	5	3.6	3.6	0.8	2.4	15	5	M2x6	0.54	0.84	2	1.3	1.3	0.008	0.15
GMN 7C	8	1.5	5	17	12	2.5	8	13.5	22.5	-	Ø1.2	M2x2.5	1.5	7	4.8	4.2	2.3	2.4	15	5	M2x6	0.98	1.24	4.70	2.84	2.84	0.010	0.22
GMN 7H							13	21.8	30.8													1.37	1.96	7.64	4.80	4.80	0.015	
GMN 9C	10	2	5.5	20	15	2.5	10	18.9	28.9	-	Ø1.4	M3x3	1.8	9	6.5	6	3.5	3.5	20	7.5	M3x8	1.86	2.55	11.76	7.35	7.35	0.016	0.38
GMN 9H							16	29.9	39.9													2.55	4.02	19.60	18.62	18.62	0.026	
GMN 12C	13	3	7.5	27	20	3.5	15	21.7	34.7	-	Ø2	M3x3.5	2.5	12	8	6	4.5	3.5	25	10	M3x8	2.84	3.92	25.48	13.72	13.72	0.034	0.65
GMN 12H							20	32.4	45.4													3.72	5.88	38.22	36.26	36.26	0.054	
GMN 15C	16	4	8.5	32	25	3.5	20	26.7	42.1	4.5	M3	M3x4	3	15	10	6	4.5	3.5	40	15	M3x10	4.61	5.59	45.08	21.56	21.56	0.059	1.06
GMN 15H							25	43.4	58.8													6.37	9.11	73.50	57.82	57.82	0.092	

註 : 1 kgf = 9.81 N

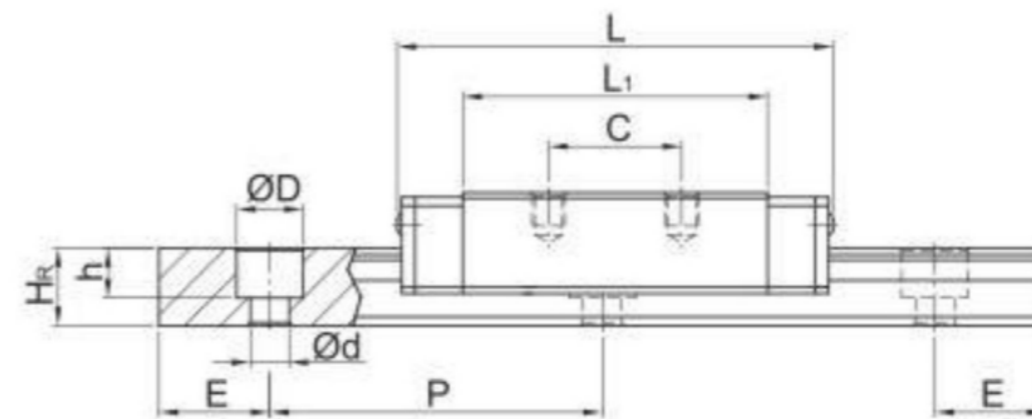
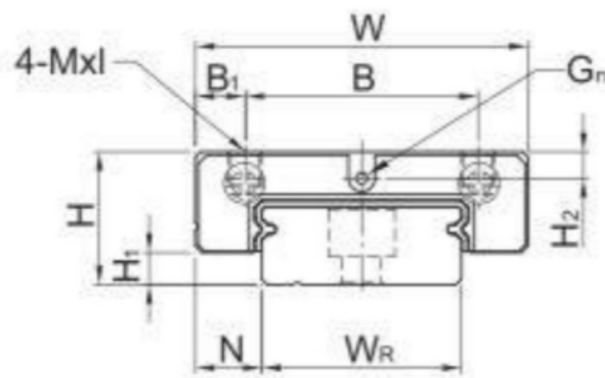


GMW 微型綫性系列導軌尺寸表

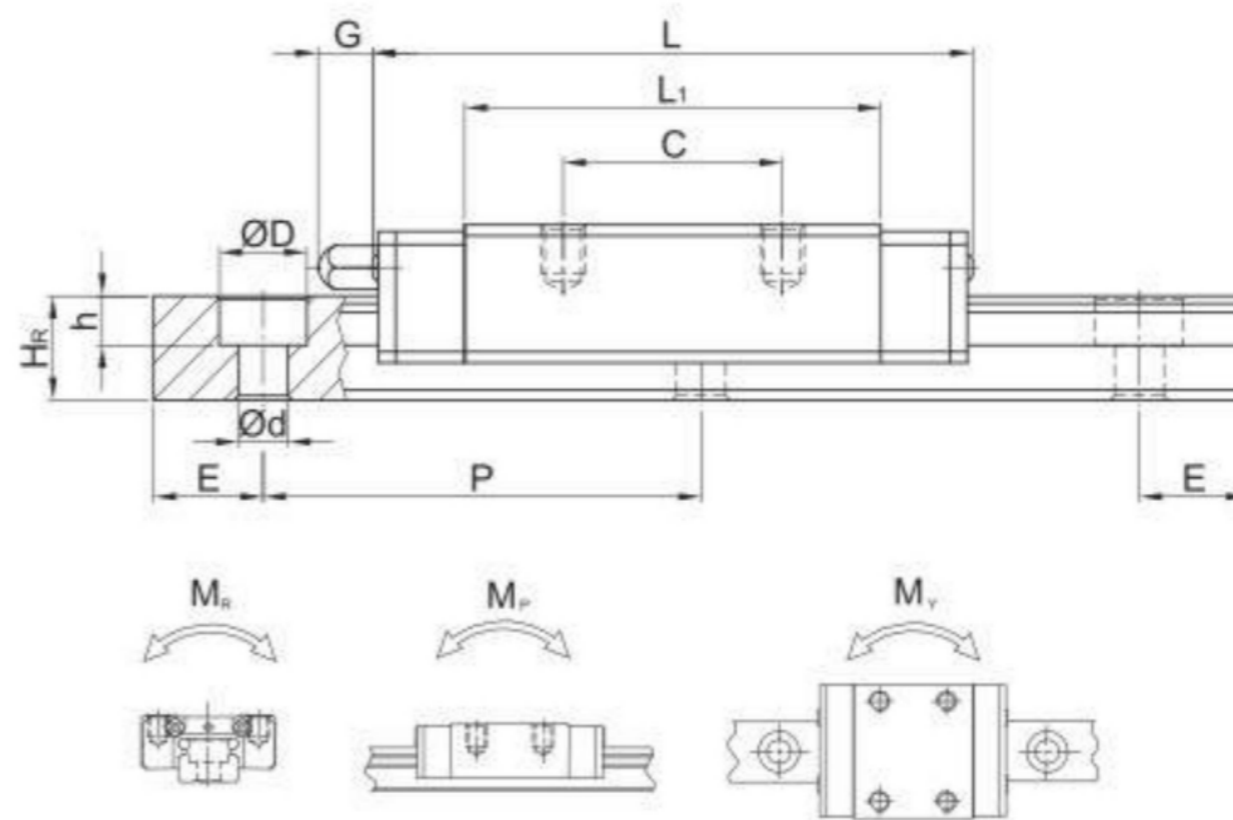
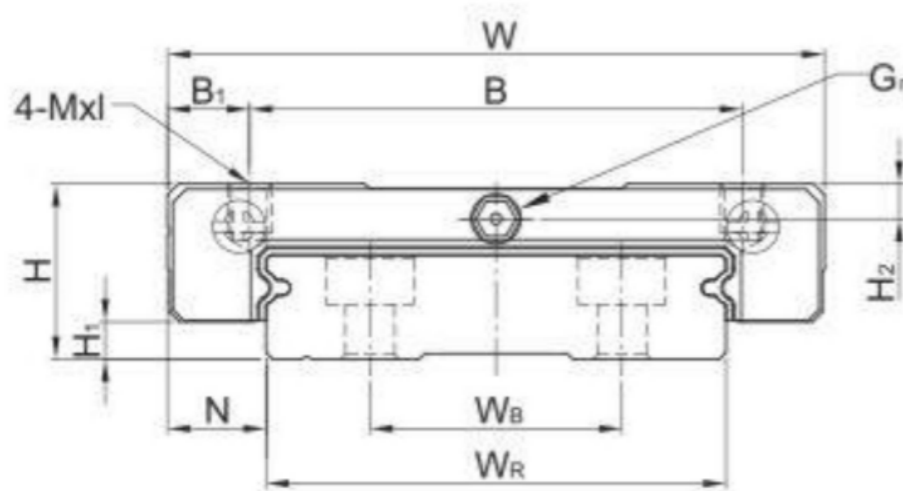
Dimensions for GMW Series Miniature Linear Guideways

GMW-C / GMW-H

GMW7, GMW9, GMW12



GMW15



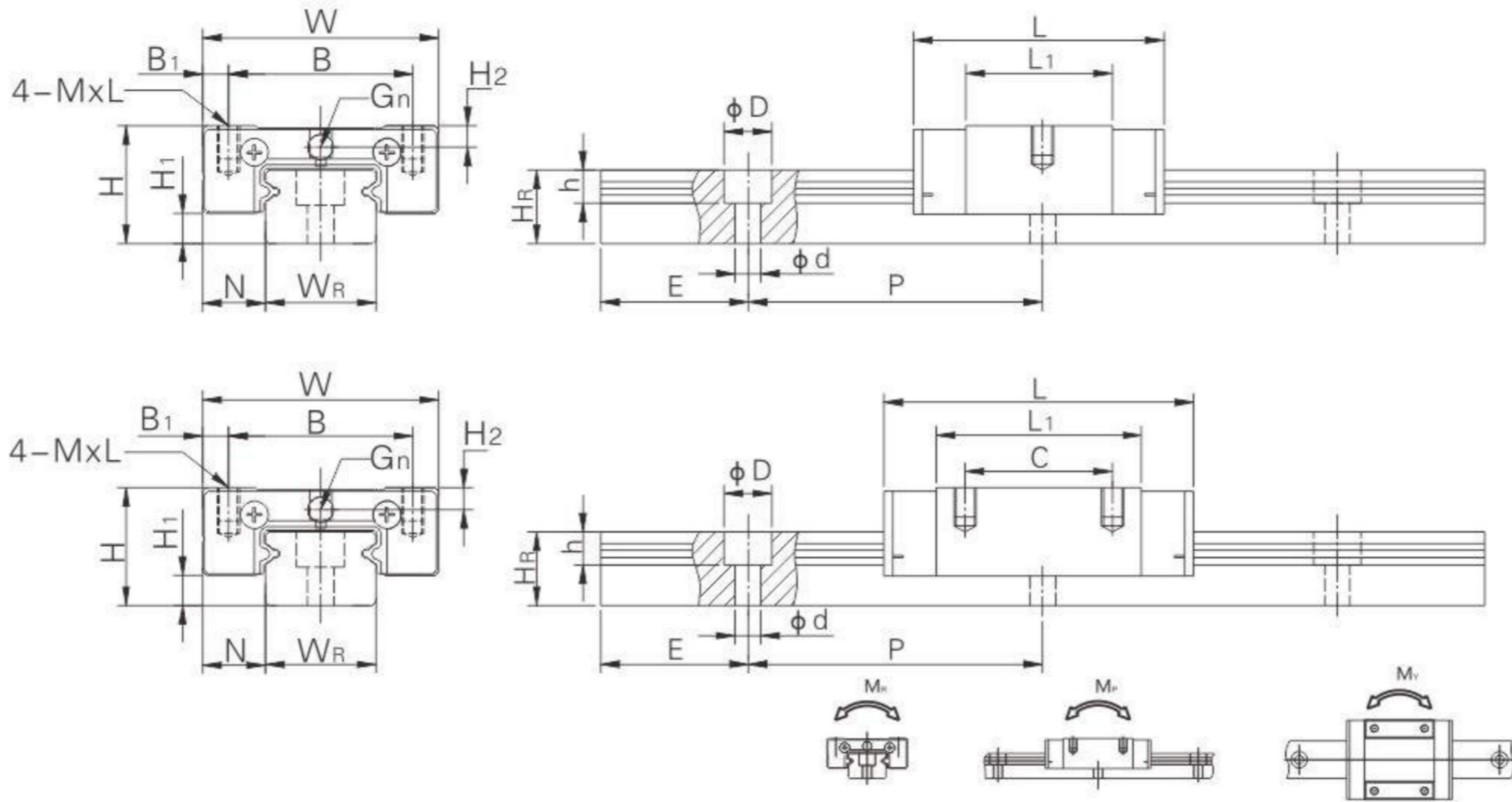
型號 Model No.	組件尺寸 (mm) Dimensions of Assembly		滑塊尺寸 (mm) Dimensions of Block										滑軌尺寸 (mm) Dimensions of Rail										滑軌固定 螺栓尺寸 Mounting Bolt for Rail (mm)	額定動 載核 Basic Dynamic Load Rating C(kN)	額定靜 載核 Basic Static Load Rating C ₀ (kN)	容許靜力矩 Static Rated Moment (kgf.m)			重量 Weight	
	H	H ₁	N	W	B	B ₁	C	L ₁	L	G	G _n	Mxl	H ₂	W _R	W _B	H _R	D	h	d	P	E	M _R				M _P	M _V	滑塊 Block kg	滑軌 Rail kg/m	
	N-m	N-m	N-m	kg	kg/m																									
GMW 7C	9	1.9	5.5	25	19	3	10	21	31.2	-	Ø1.2	M3x3	1.85	14	-	5.2	6	3.2	3.5	30	10	M3x6	1.37	2.06	15.70	7.14	7.14	0.020	0.51	
GMW 7H							19	30.8	41																23.45	15.53	15.53			
GMW 9C	12	2.9	6	30	21	4.5	12	27.5	39.3	-	Ø1.2	M3x3	2.4	18	-	7	6	4.5	3.5	30	10	M3x8	2.75	4.12	40.12	18.96	18.96	0.040	0.91	
GMW 9H							23	38.5	50.7																54.54	34.00	34.00			
GMW 12C	14	3.4	8	40	28	6	15	31.3	46.1	-	Ø1.2	M3x3.6	2.8	24	-	8.5	8	4.5	4.5	40	15	M4x8	3.92	5.59	70.34	27.80	27.80	0.071	1.49	
GMW 12H							28	45.6	60.4																102.70	57.37	57.37			
GMW 15C	16	3.4	9	60	45	7.5	20	38	54.8	5.2	M3	M4x4.2	3.2	42	23	9.5	8	4.5	4.5	40	15	M4x10	6.77	9.22	199.34	56.66	56.66	0.143	2.86	
GMW 15H							35	57	73.8																299.01	122.60	122.60			

註：1 kgf = 9.81 N



ST 不銹鋼微型綫性系列導軌尺寸表

Dimensions for Stainless Steel ST Series Miniature Linear Guideways

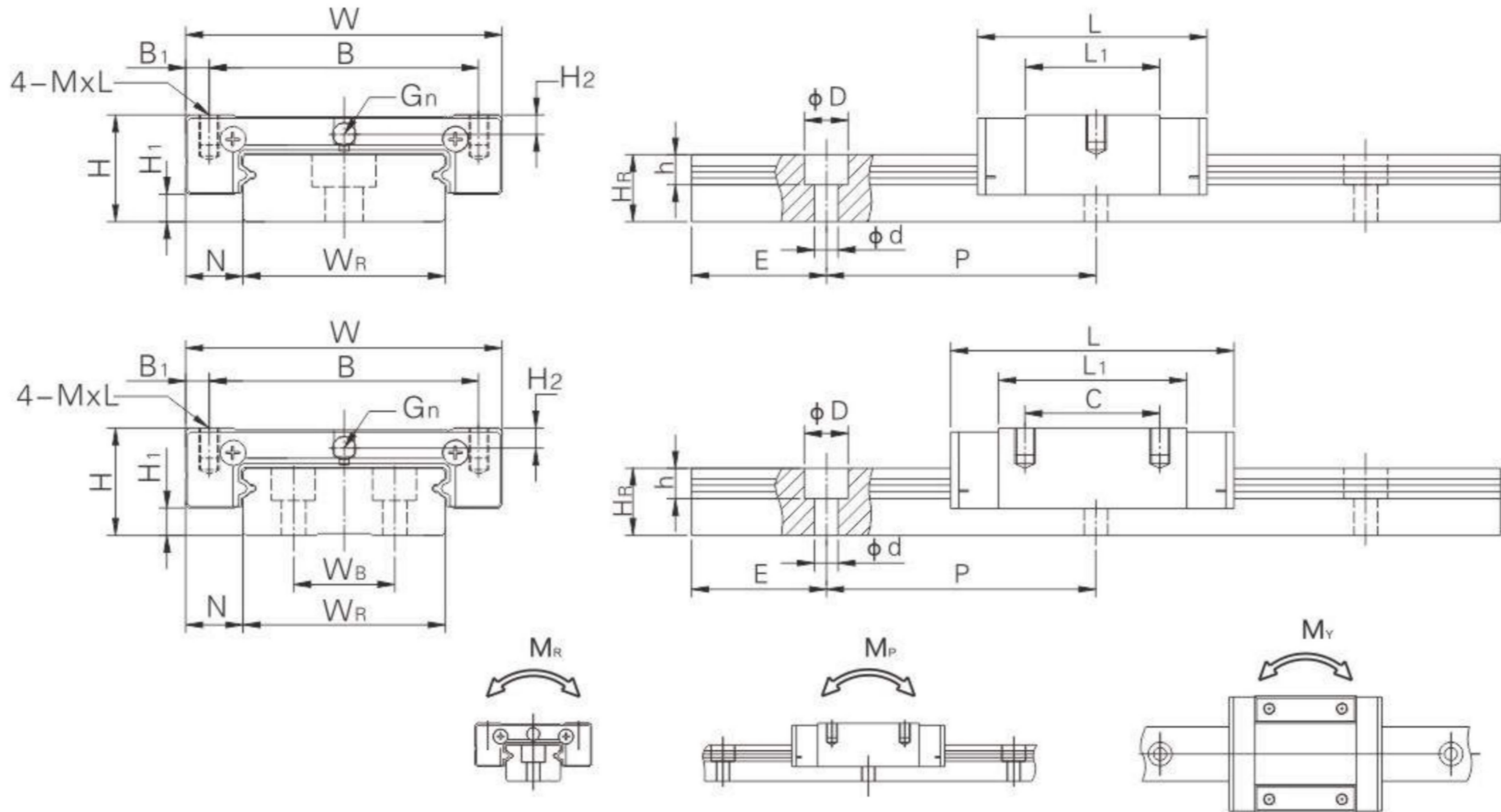


型號 Model No.	組件尺寸(mm) Dimensions of Assembly			滑塊尺寸 (mm) Dimensions of Block							滑軌尺寸 (mm) Dimensions of Rail							額定動載核 Basic Dynamic Load Rating	額定靜載核 Basic Static Load Rating	容許靜力矩 Static Rated Moment (kgf.m)			滑軌固定 螺栓尺寸 Mounting Bolt for Rail
	H	H ₁	N	W	B	B ₁	C	L ₁	L	M×L	W _R	H _R	D	h	d	P	E	C(kgf)	C ₀ (kgf)	M _R	M _P	M _Y	(mm)
ST3C	4	1	2.5	8	-	-	3.5	6.7	12	M1.6×1.3	3	2.6	-	-	1.6	8	5	19	32	0.06	0.04	0.04	M1.6×L
ST3L							5.5	10.7	16	M2×1.3	3							30	58	0.09	0.11	0.11	
ST5C	6	1	3.5	12	8	2	-	9.7	16	M2×2	5	3.7	3.6	0.8	2.4	15	7.5	34	56	0.17	0.1	0.1	M2×6
ST5L					8		-	12.7	19									48	92	0.24	0.21	0.21	
ST7C	8	1.5	5	17	12	2.5	8	14.3	23.5	M2×2.8	7	5	4.2	2.6	2.5	15	7.5	100	127	0.48	0.29	0.29	M2×6
ST7L							13	21.6	30.8									140	200	0.78	0.49	0.49	
ST7S							-	9.6	18.8									96	116	0.42	0.18	0.15	
ST9C	10	2	5.5	20	15	2.5	10	20.8	30.1	M3×4	9	6	6	3.5	3.5	20	10	190	260	1.2	0.75	0.75	M3×8
ST9L							16	30.9	40.5									260	410	2	1.9	1.9	
ST9S							-	11.9	21.5									120	151	0.7	0.3	0.24	
ST12C	13	3	7.5	27	20	3.5	15	21.6	34	M3×5.5	12	8	6	4.5	3.5	25	12.5	290	400	2.6	1.4	1.4	M3×8
ST12L							20	32	44									380	600	3.9	3.7	3.7	
ST12S							-	13	25									225	243	1.5	0.53	0.46	
ST15C	16	4.1	8.5	32	25	3.5	20	27.9	42	M5×5.5	15	10	6.5	4.5	3.5	40	20	470	570	4.6	2.2	2.2	M3×12
ST15L							25	42.8	57.1									650	930	7.5	5.9	5.9	
ST15S							-	17.7	32.1									356	397	3.1	1.2	1	
ST20C	20	5	10	40	30	5	25	34.6	50.3	M4×6	20	11	9.5	5.5	6	60	30	678	926	9.4	5.4	4.5	M3×15
ST20L							30	52.3	68									868	1316	13.4	10.4	8.7	
ST20S							-	22.3	38									467	540	5.5	2	1.7	



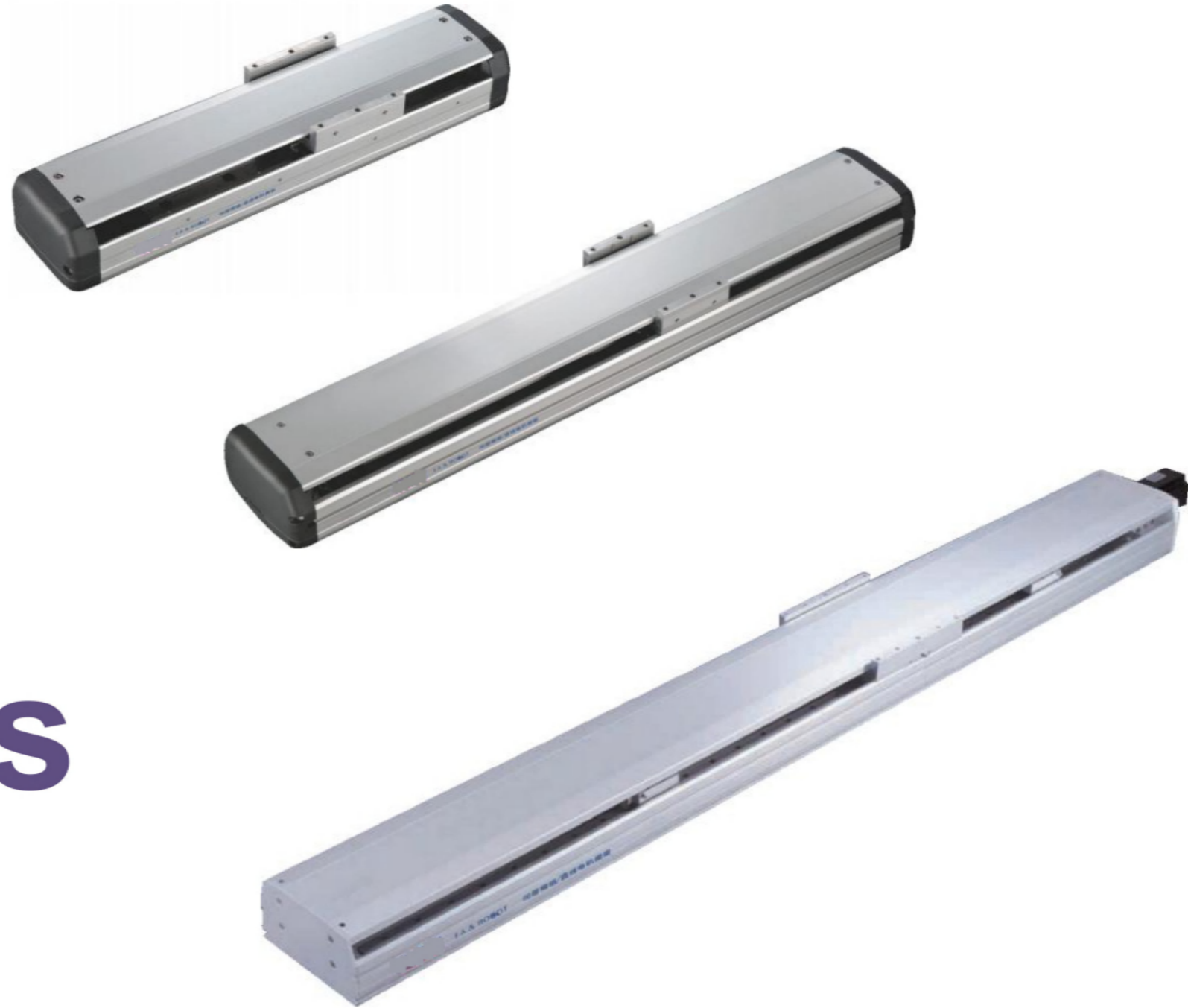
STW 不銹鋼微型綫性系列導軌尺寸表

Dimensions for Stainless Steel STW Series Miniature Linear Guideways



型號 Model No.	組件尺寸(mm) Dimensions of Assembly			滑塊尺寸 (mm) Dimensions of Block							滑軌尺寸 (mm) Dimensions of Rail							額定動載核 Basic Dynamic Load Rating	額定靜載核 Basic Static Load Rating	容許靜力矩 Static Rated Moment (kgf.m)			滑軌固定 螺栓尺寸 Mounting Bolt for Rail
	H	H ₁	N	W	B	B ₁	C	L ₁	L	M × L	W _R	H _R	D	h	d	P	E	C(kgf)	C ₀ (kgf)	M _R	M _P	M _Y	(mm)
STW3C	4.5	1	3	12	-	-	4.5	10	15.2	M2 × 1.4	6	2.6	4	1.5	2.4	15	-	29	54	0.16	0.09	0.09	M2 × L
STW3L							8	15.1	20.1									38	91	0.26	0.19	0.19	
STW5C	6.5	1.5	3.5	17	13	2	-	13.6	20.6	M2.5 × 2	10	4	4.8	1.6	2.9	20	7.5	48	92	0.47	0.22	0.22	M2.5 × 6
STW5L							-	17.6	24.6									63	134	0.7	0.42	0.42	
STW7C	9	2	5.5	25	19	3	10	22	31.4	M3 × 3	14	5.5	6	3.2	3.5	30	15	140	210	1.6	0.73	0.73	M3 × 8
STW7L							19	32.5	42									180	320	2.39	1.58	1.58	
STW9C	12	3	6	30	21	4.5	12	28.5	38.8	M3 × 3	18	7	6	4.5	3.5	30	15	280	420	4.09	1.93	1.93	M3 × 8
STW9L					23	3.5	24	40.4	50.5									350	600	5.56	3.47	3.47	
STW12C	14	3	8	40	28	6	15	31	44	M3 × 3.5	24	8	8	4.5	4.5	40	20	400	570	7.17	2.83	2.83	M4 × 10
STW12L							28	46.3	59									520	840	10.47	5.85	5.85	

型號 Model No.	組件尺寸(mm) Dimensions of Assembly			滑塊尺寸 (mm) Dimensions of Block							滑軌尺寸 (mm) Dimensions of Rail							額定動載核 Basic Dynamic Load Rating	額定靜載核 Basic Static Load Rating	容許靜力矩 Static Rated Moment (kgf.m)			滑軌固定 螺栓尺寸 Mounting Bolt for Rail	
	H	H ₁	N	W	B	B ₁	C	L ₁	L	M × L	W _R	W _B	H _R	D	h	d	P	E	C(kgf)	C ₀ (kgf)	M _R	M _P	M _Y	(mm)
STW15C	16	4	9	60	45	7.5	20	39.4	55	M4 × 4.5	42	23	10	8	4.5	4.5	40	20	690	940	20.3	5.78	5.78	M4 × 12
STW15L							35	58.7	74.5										910	1410	30.48	12.5	12.5	

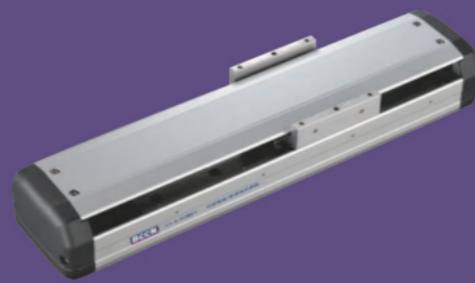


WA Series

Standard/Ball Screw

一般環境 / 螺桿式樣 Standard/Ball Screw Type

WA10



本體寬幅 102mm
Width
最大行程 1050mm
Max. stroke
最大荷重 50kg
Max. payload

WA22H



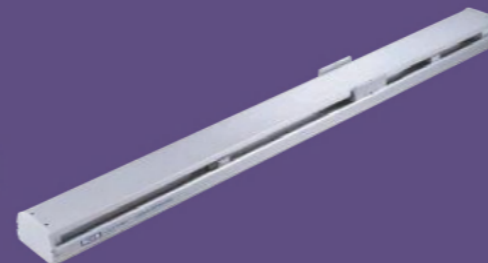
本體寬幅 220mm
Width
最大行程 1250mm
Max. stroke
最大荷重 130kg
Max. payload

WA12



本體寬幅 102mm
Width
最大行程 1050mm
Max. stroke
最大荷重 50kg
Max. payload

WA17M



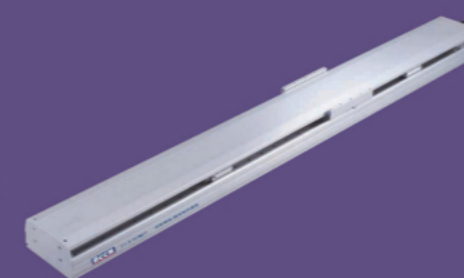
本體寬幅 170mm
Width
最大行程 2200mm
Max. stroke
最大荷重 120kg
Max. payload

WA13



本體寬幅 135mm
Width
最大行程 1050mm
Max. stroke
最大荷重 70kg
Max. payload

WA22M



本體寬幅 220mm
Width
最大行程 2400mm
Max. stroke
最大荷重 130kg
Max. payload

WA14



本體寬幅 135mm
Width
最大行程 1050mm
Max. stroke
最大荷重 110kg
Max. payload

WA17



本體寬幅 170mm
Width
最大行程 1250mm
Max. stroke
最大荷重 120kg
Max. payload

WA10 單軸 / 1-axis

▶ 螺桿驅動
Ball Screw Drive



此圖僅供參考，出貨規格詳見尺寸圖面

The picture is just for the reference. Please check the the actual dimensions on the drawing.

最大行程
Maximum Stroke 1050mm

最高速度
Maximum Speed 1600mm/s

馬達容量
Motor output 200W

滾珠螺桿
Ball Screw ϕ 16mm

直線滑軌
Linear Guide 20x18-1支

型號表示方式 Ordering Method

WA10 - L10 - 100 - ME - Y40B - A0 - C

本體型號
Model

行程
Stroke
50-1050mm
50間隔 50 mm Pitch

特注式樣
Customization Order No.
C: \pm 0.01mm
H: \pm 0.005mm
P: \pm 0.003mm

螺桿導程
Ball Screw Lead

5	5mm
10	10mm
20	20mm
32	32mm

馬達位置
Motor Position

M	馬達直結 Motor Hidden In
ME	馬達外露 Motor Exposed
ML	馬達左折 Motor Left Side
MR	馬達右折 Motor Right Side
MD	馬達下折 Motor Bottom Side

馬達廠牌
Motor Brand

Y	安川/三菱	10	100W	B
P	松下	20	200W	
H	汇川	40	400w	
B	步进	75	-	

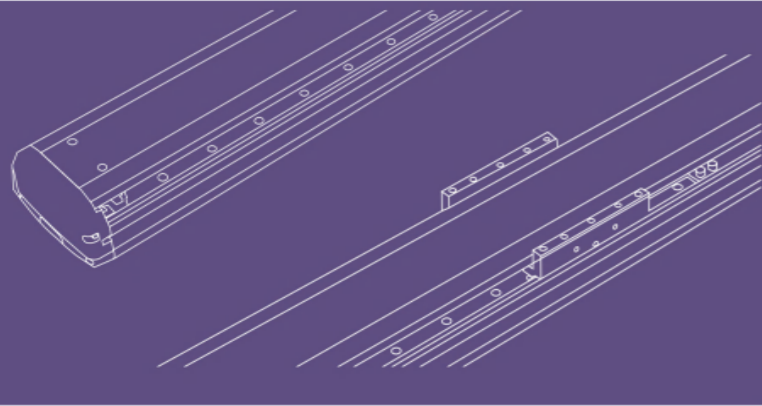
若無煞車則不表示。 If No Brake, No Description.
*200/400w無內置

感應器類型
Sensor Type

外置型 out Side	
A	NPN
P	PNP

端點極限感應器
Limit Sensor

外置型 out Side	
2	2只 2 Pc
3	3只 3 Pc
0	無 0 Pc



基本仕様 Specification

規格 Spec	位置重複精度 Repeatability (mm)	±0.01				
	螺桿導程 Ball Screw Lead (mm)	5	10	20	32	
	最高速度 Maximum Speed (mm/s) ※1	250	500	1000	1600	
	最大可搬重量 Maximum Payload	水平使用 Horizontal (kg)	50	30	18	5
		垂直使用 Vertical (kg)	12	8	3	-
	定格推力 Rated Thrust (N)	683	341	174	107	
標準行程 Stroke Pitch (mm) ※2	50-1050mm/50 間隔 50 mm Pitch					
部品 Parts	AC 伺服馬達容量 AC Servo Motor Output (W)	200				
	滾珠螺桿外徑 Ball Screw Ø (mm)	C7Ø16				
	高剛性直線滑軌 High Rigidity Linear Guide (mm)	20X18				
	連軸器 Coupling (mm)	10×14/11 (註1)				
	原點感應器 Home Sensor	外掛 Outside	BC-SX672 (NPN)			

※1 馬達加減速設定 0.2 秒。

Acceleration and deceleration value is set 0.2 second.

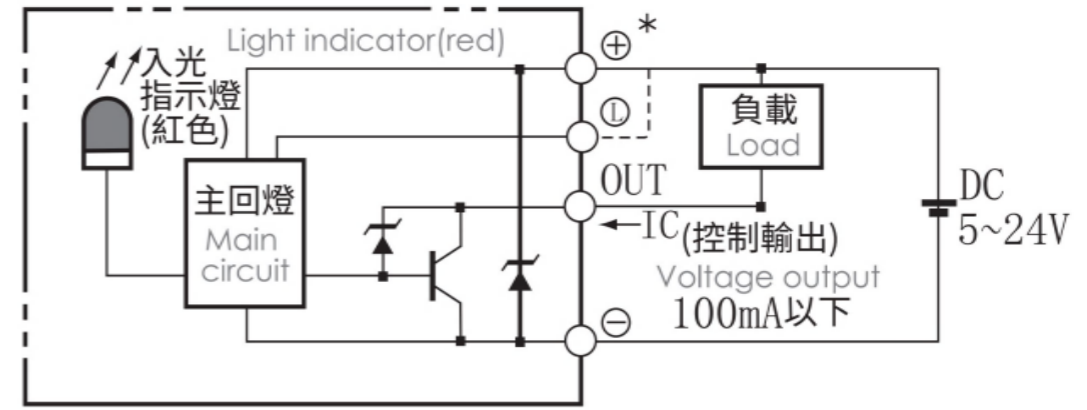
※2 行程超過 750 時，會產生螺桿偏擺，此時請將速度調降。

When the stroke is over 750mm, the run-out of the ballscrew will occur. We recommend to low down the working speed under this circumstances.

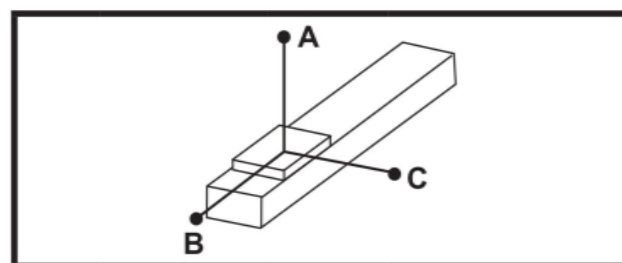
註 1: 使用 Panasonic 200W 馬達時，馬達軸心為 Ø11；其他廠牌，馬達軸心為 Ø14。

Motor (200W) Shaft Diameter: Panasonic: 11mm; Other: 14mm.

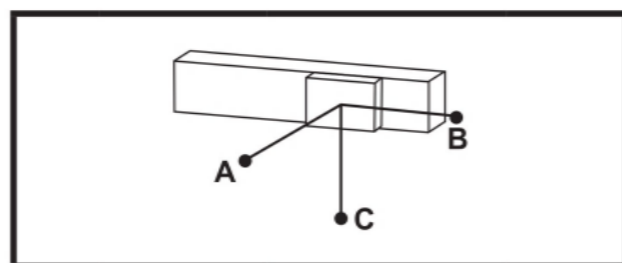
感應器接線圖 < 原點及端點 > Sensor Layout



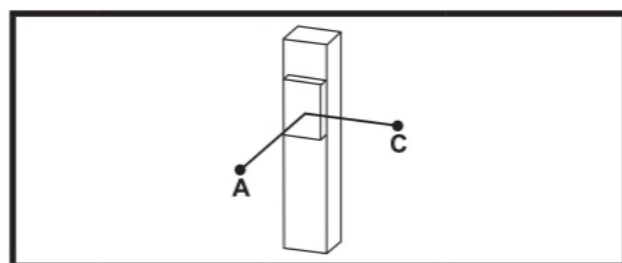
容許負載力距表 Allowable Overhang



(單位 Unit : mm)



(單位 Unit : mm)



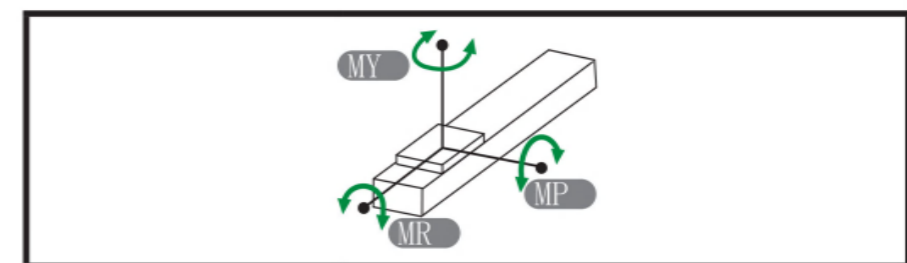
(單位 Unit : mm)

水平安裝 Horizontal Installation		A	B	C
導程 5 Lead	30kg	547	42	42
	40kg	391	29	29
	50kg	298	22	21
導程 10 Lead	15kg	521	84	80
	25kg	298	47	44
	30kg	242	37	35
導程 20 Lead	5kg	675	224	193
	10kg	330	107	93
	18kg	175	55	48
導程 32 Lead	3kg	486	259	198
	5kg	288	152	116
	-	-	-	-

壁掛安裝 Wall Installation		A	B	C
導程 5 Lead	25kg	52	53	670
	35kg	35	35	455
	50kg	21	22	298
導程 10 Lead	10kg	124	131	770
	20kg	58	61	382
	30kg	35	37	242
導程 20 Lead	6kg	160	185	562
	12kg	76	88	272
	18kg	48	55	175
導程 32 Lead	2kg	300	393	733
	5kg	116	152	288
	-	-	-	-

垂直安裝 Vertical Installation		A	C
導程 5 Lead	5kg	310	310
	8kg	192	192
	12kg	129	129
導程 10 Lead	4kg	344	344
	8kg	172	172
導程 20 Lead	-	-	-
	2kg	546	546
	3kg	364	364
-	-	-	

靜態容許負載慣量 Static Loading Moment



(單位 Unit : N.m)

MY	110
MP	110
MR	120

* 力距表所表示的數據，代表重心。

The torque value in the chart indicate the center of gravity.

* 符合型錄規範的正常情況下，保證壽命為 10000 公里。

Operation life is 10,000km when the product is using under the specified conditions.

* 倒吊使用無法套用標準規範，如有需求請洽詢我司業務。

Data information is not for ceiling-mount inverse use. Contact us for the details if you want to apply ceiling-mount inverse usage.

Stroke and Maximum Speed mm/s

Ballscrew Spec		Maximum Speed *1	Stroke Pitch and Maximum Speed *2							
Diameter	Lead		Stroke 50-750	800	850	900	950	1000	1050	1100
16	5	250	250	225	200	175	150	125	100	75
	10	500	500	450	400	350	300	250	200	150
	20	1000	1000	900	800	700	600	500	400	300
	32	1600	1600	1440	1280	1120	960	800	640	460

*1 The maximum speed is based on the maximum speed of the servo motor 3000RPM.

*2 Standard stroke data, representing the maximum dangerous speed that can be used within the stroke, beyond this speed, the ball screw will resonate, resulting in greater noise and reduced ball screw life.

WA10 單軸 / 1axis

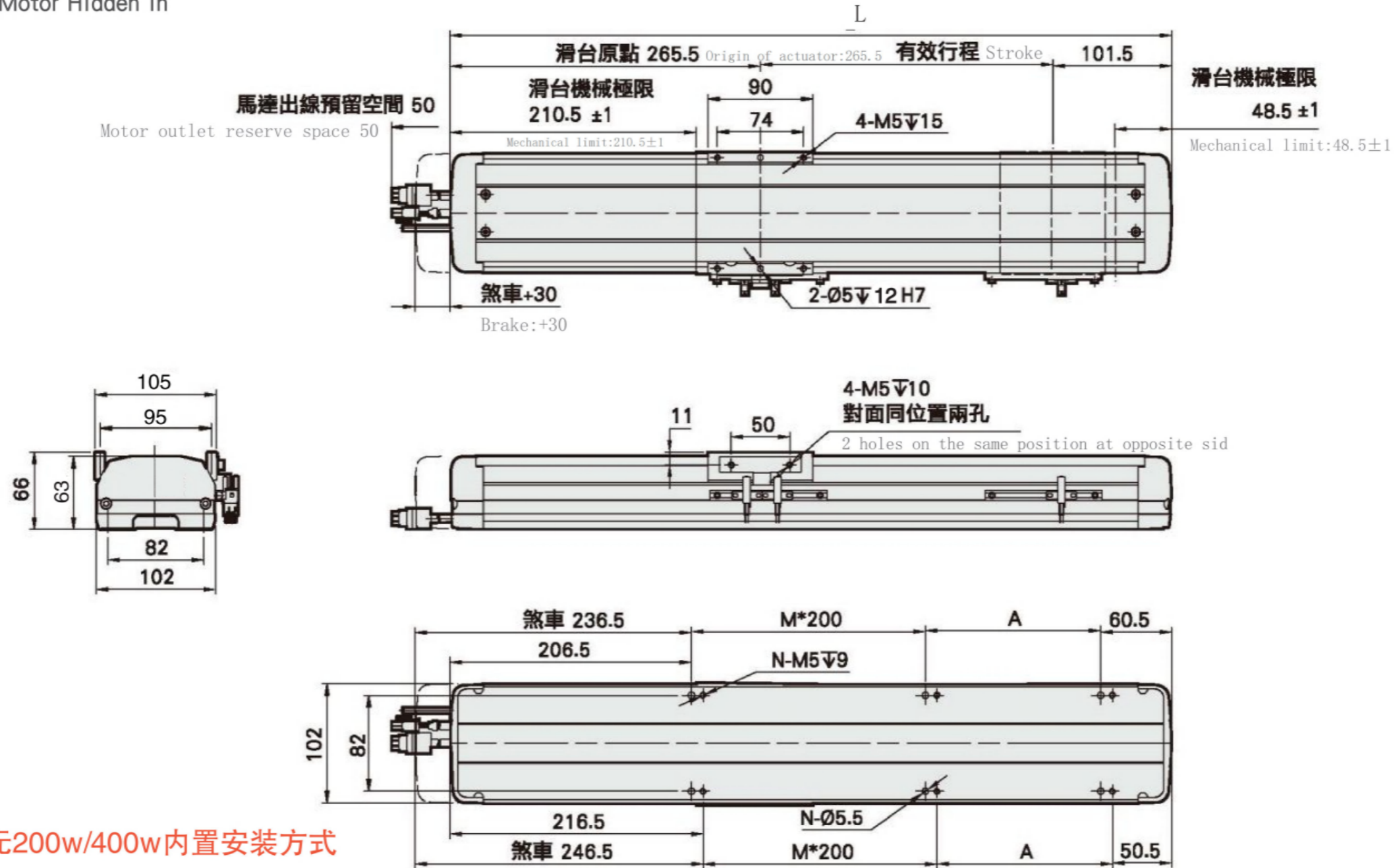
▶ 螺桿驅動
Ball Screw Drive

馬達直結 / 馬達外露

Motor Hidden In / Motor Exposed

單位 Unit : mm

M 馬達直結 Motor Hidden In

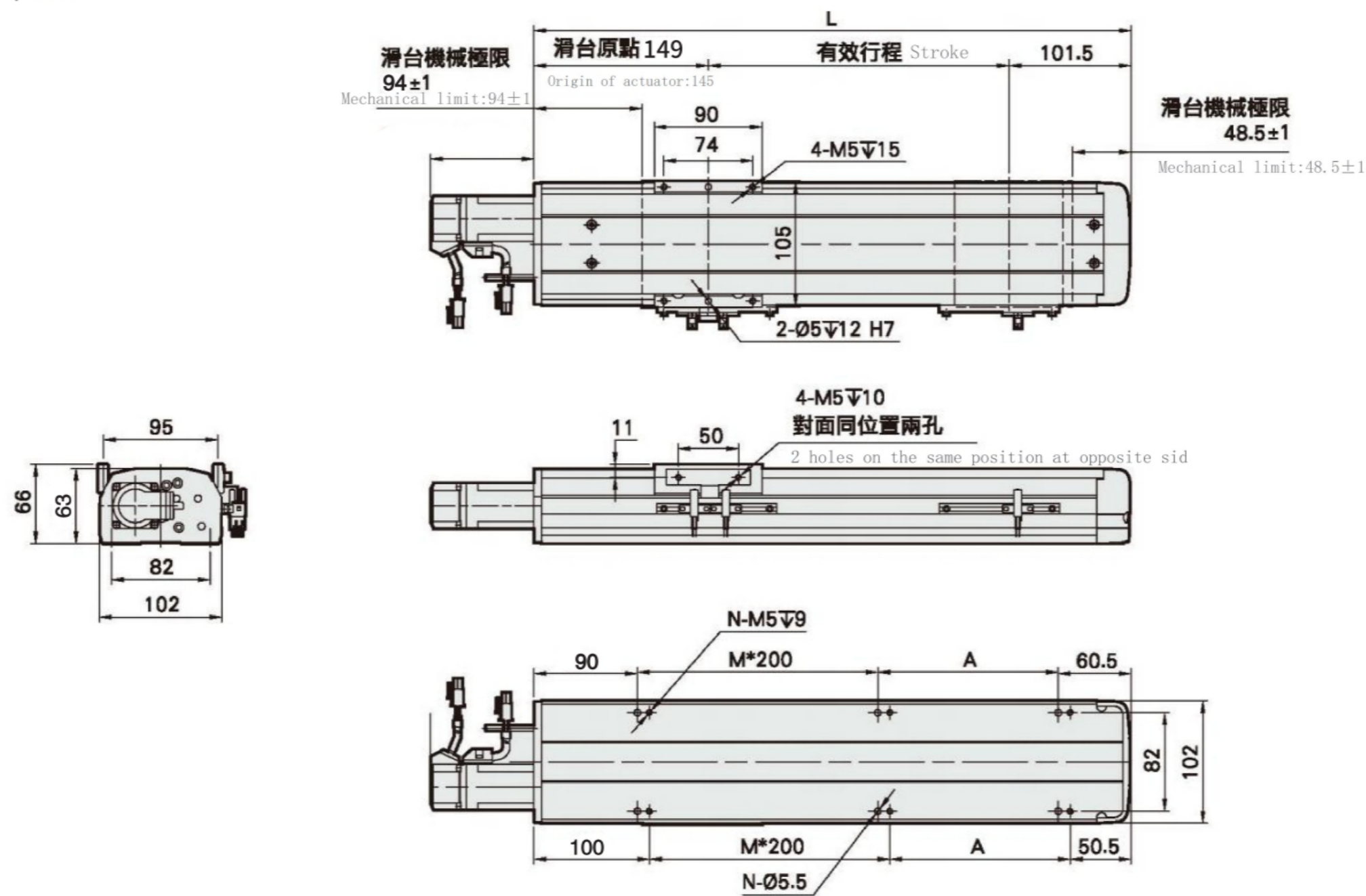


注: 无200w/400w内置安装方式

有效行程 Stroke	100	150	200	250	300	350	400	450	500	550	600	650	700	750	800	850	900	950	1000	1050
L	467	517	567	617	667	717	767	817	867	917	967	1017	1067	1117	1167	1217	1267	1317	1367	1417
A	200	50	100	150	200	50	100	150	200	50	100	150	200	50	100	150	200	50	100	150
M	0	1	1	1	1	2	2	2	2	3	3	3	3	4	4	4	4	5	5	5
N	4	6	6	6	6	8	8	8	8	10	10	10	10	12	12	12	14	14	14	14
KG	4.98	5.36	5.75	6.13	6.52	6.9	7.29	7.67	8.06	8.44	8.83	9.21	9.6	9.98	10.37	10.75	11.14	11.52	11.91	12.29

ME 馬達外露 Motor Exposed

單位 Unit : mm



有效行程 Stroke	100	150	200	250	300	350	400	450	500	550	600	650	700	750	800	850	900	950	1000	1050
L	350.5	400.5	450.5	500.5	550.5	600.5	650.5	700.5	750.5	800.5	850.5	900.5	950.5	1000.5	1050.5	1100.5	1150.5	1200.5	1250.5	1300.5
A	200	50	100	150	200	50	100	150	200	50	100	150	200	50	100	150	200	50	100	150
M	0	1	1	1	1	2	2	2	2	3	3	3	3	4	4	4	4	5	5	5
N	4	6	6	6	6	8	8	8	8	10	10	10	10	12	12	12	14	14	14	14
KG	5.32	5.7	6.08	6.46	6.84	7.22	7.6	7.98	8.36	8.74	9.12	9.5	9.88	10.26	10.64	11.02	11.4	11.78	12.16	12.54

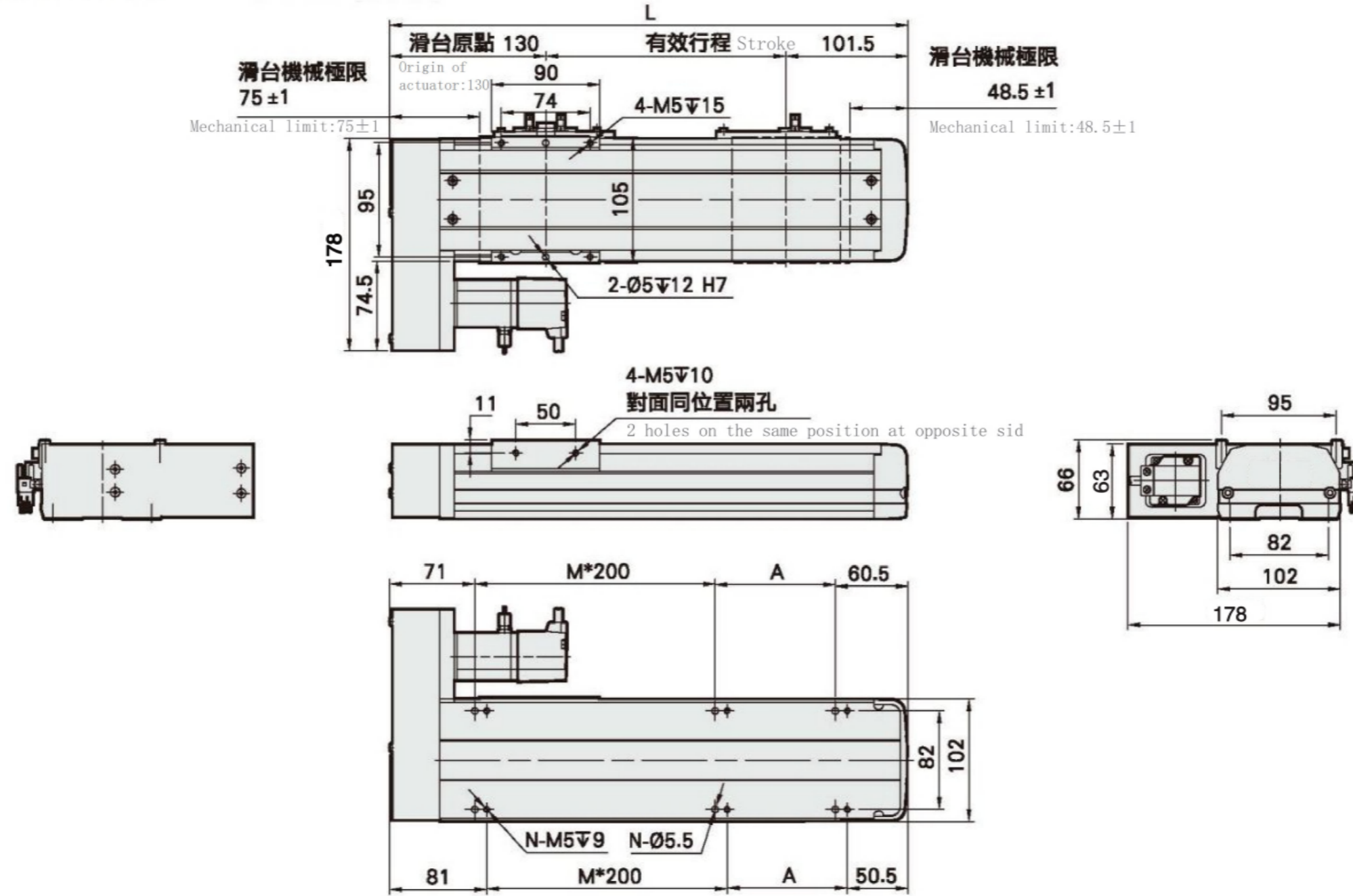


馬達左折 / 馬達右折

Motor Left Side / Motor Right Side

ML 馬達左折 Motor Left Side

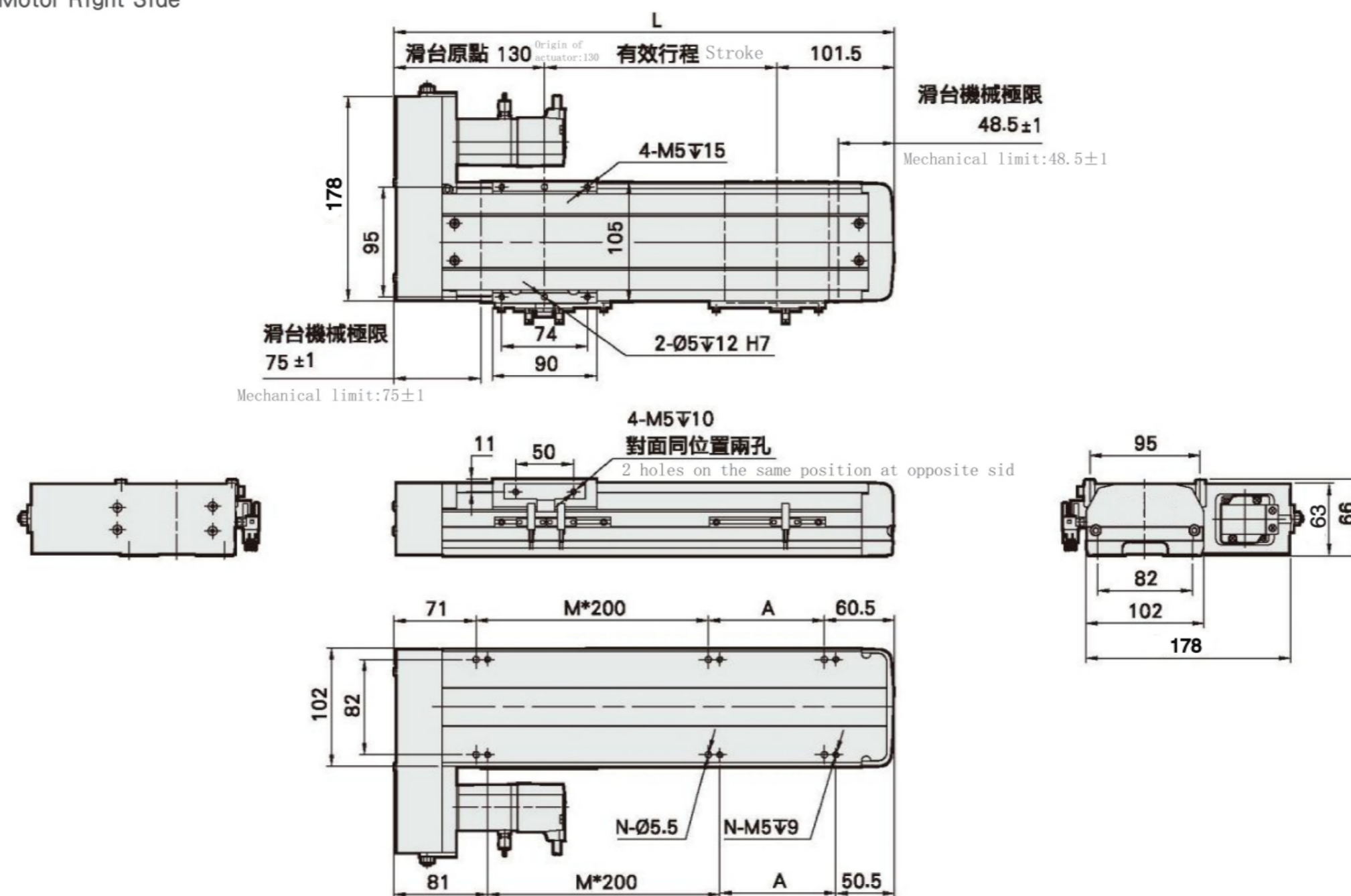
單位 Unit : mm



有效行程 Stroke	100	150	200	250	300	350	400	450	500	550	600	650	700	750	800	850	900	950	1000	1050
L	331.5	381.5	431.5	481.5	531.5	581.5	631.5	681.5	731.5	781.5	831.5	881.5	931.5	981.5	1031.5	1081.5	1131.5	1181.5	1231.5	1281.5
A	200	50	100	150	200	50	100	150	200	50	100	150	200	50	100	150	200	50	100	150
M	0	1	1	1	1	2	2	2	2	3	3	3	3	4	4	4	4	5	5	5
N	4	6	6	6	6	8	8	8	8	10	10	10	10	12	12	12	14	14	14	14
KG	5.52	5.93	6.32	6.71	7.1	7.49	7.88	8.27	8.66	9.05	9.44	9.83	10.22	10.61	11	11.39	11.78	12.17	12.56	12.95

MR 馬達右折 Motor Right Side

單位 Unit : mm



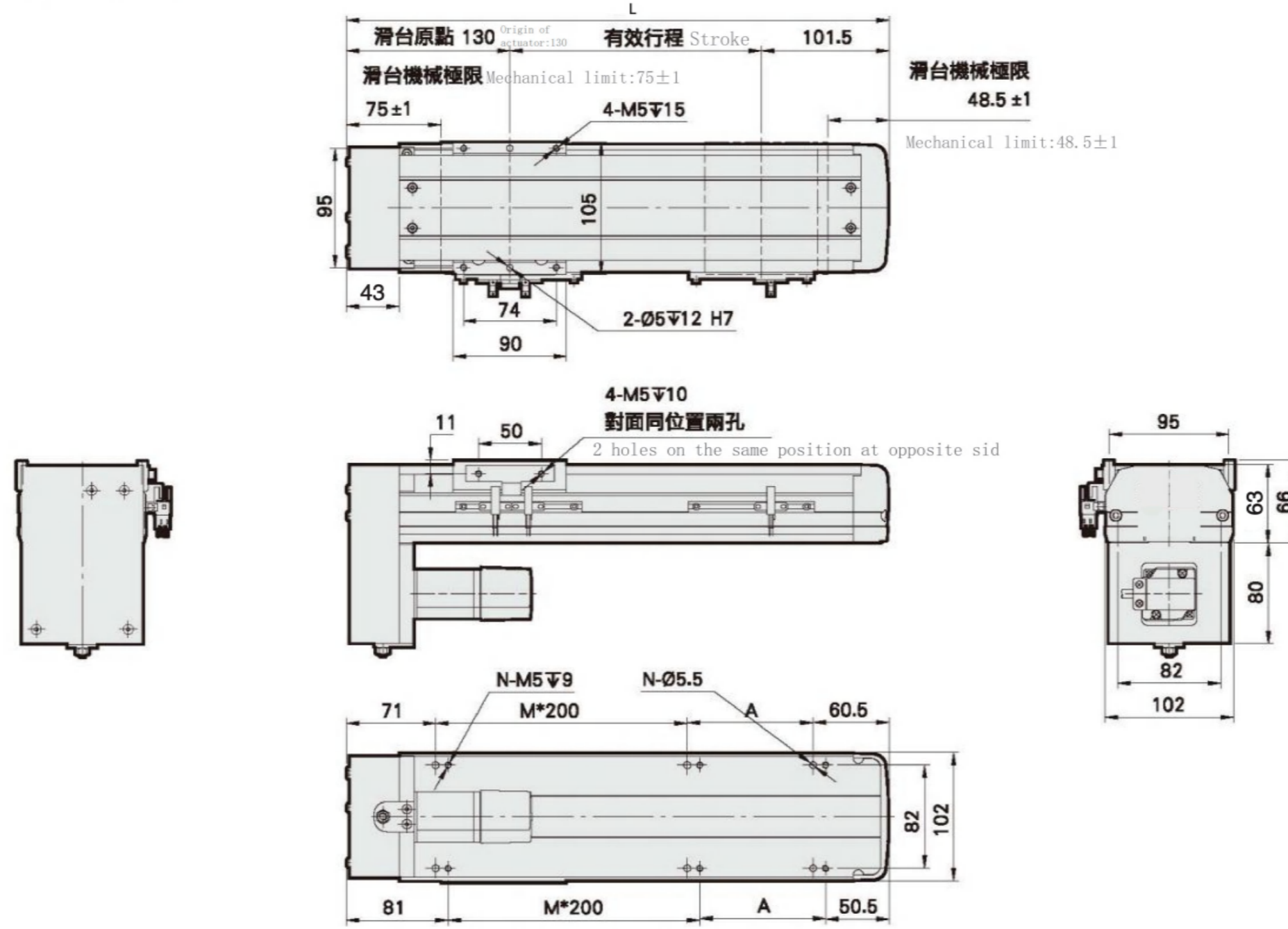
有效行程 Stroke	100	150	200	250	300	350	400	450	500	550	600	650	700	750	800	850	900	950	1000	1050
L	331.5	381.5	431.5	481.5	531.5	581.5	631.5	681.5	731.5	781.5	831.5	881.5	931.5	981.5	1031.5	1081.5	1131.5	1181.5	1231.5	1281.5
A	200	50	100	150	200	50	100	150	200	50	100	150	200	50	100	150	200	50	100	150
M	0	1	1	1	1	2	2	2	2	3	3	3	3	4	4	4	4	5	5	5
N	4	6	6	6	6	8	8	8	8	10	10	10	10	12	12	12	14	14	14	14
KG	5.52	5.93	6.32	6.71	7.1	7.49	7.88	8.27	8.66	9.05	9.44	9.83	10.22	10.61	11	11.39	11.78	12.17	12.56	12.95

馬達下折

Motor Bottom Side

MD 馬達下折 Motor Bottom Side

單位 Unit : mm



有效行程 Stroke	100	150	200	250	300	350	400	450	500	550	600	650	700	750	800	850	900	950	1000	1050
L	331.5	381.5	431.5	481.5	531.5	581.5	631.5	681.5	731.5	781.5	831.5	881.5	931.5	981.5	1031.5	1081.5	1131.5	1181.5	1231.5	1281.5
A	200	50	100	150	200	50	100	150	200	50	100	150	200	50	100	150	200	50	100	150
M	0	1	1	1	1	2	2	2	2	3	3	3	3	4	4	4	4	5	5	5
N	4	6	6	6	6	8	8	8	8	10	10	10	10	12	12	12	14	14	14	14
KG	5.52	5.93	6.32	6.71	7.1	7.49	7.88	8.27	8.66	9.05	9.44	9.83	10.22	10.61	11	11.39	11.78	12.17	12.56	12.95

WA12 單軸 / 1-axis

▶ 螺桿驅動
Ball Screw Drive



此圖僅供參考，出貨規格詳見尺寸圖面

The picture is just for the reference. Please check the the actual dimensions on the drawing.

最大行程
Maximum Stroke 1050mm

最高速度
Maximum Speed 1600mm/s

馬達容量
Motor output 200W

滾珠螺桿
Ball Screw $\phi 16\text{mm}$

直線滑軌
Linear Guide 12 \times 7.5-2支

型號表示方式 Ordering Method

WA12-L10-100-ME-Y20B-A0-C

本體型號
Model

行程
Stroke
50-1050mm
50間隔 50 mm Pitch

特注式樣
Customization Order No.
C: $\pm 0.01\text{mm}$
H: $\pm 0.005\text{mm}$
P: $\pm 0.003\text{mm}$

螺桿導程
Ball Screw Lead

5	5mm
10	10mm
20	20mm
32	32mm

馬達位置
Motor Position

M	馬達直結 Motor Hidden In
ME	馬達外露 Motor Exposed
ML	馬達左折 Motor Left Side
MR	馬達右折 Motor Right Side
MD	馬達下折 Motor Bottom Side

馬達廠牌
Motor Brand

Y	安川/三菱	10	100W	B
P	松下	20	200W	
H	汇川	40	400W	
B	步进	75	-	

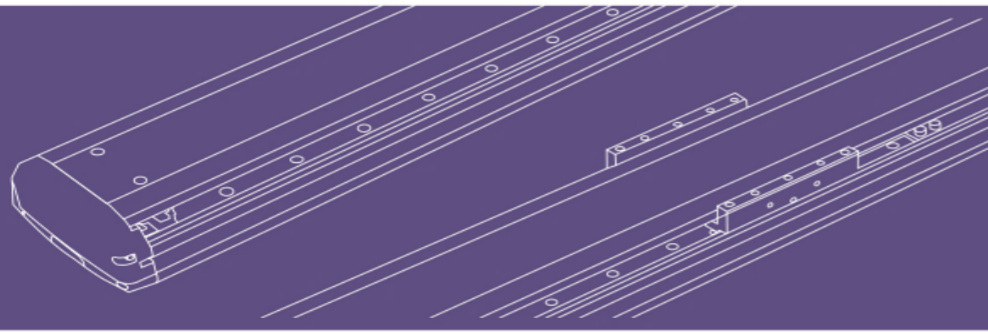
若無煞車則不表示。 If No Brake, No Description.
内置無200W/400W

感應器類型
Sensor type

外置型 out Side	
A	NPN
P	PNP

端點極限感應器
Limit Sensor

外置型 out Side		
2	2只	2 Pc
3	3只	3 Pc
0	無	0 Pc



基本仕様 Specification

規格 Spec	位置重複精度 Repeatability (mm)	±0.01				
	螺桿導程 Ball Screw Lead (mm)	5	10	20	32	
	最高速度 Maximum Speed (mm/s) ※1	250	500	1000	1600	
	最大可搬重量 Maximum Payload	水平使用 Horizontal (kg)	50	30	18	5
		垂直使用 Vertical (kg)	12	8	3	-
	定格推力 Rated Thrust (N)	683	341	174	107	
標準行程 Stroke Pitch (mm) ※2	50-1050mm/50 間隔 50 mm Pitch					
部品 Parts	AC 伺服馬達容量 AC Servo Motor Output (W)	200				
	滾珠螺桿外徑 Ball Screw Ø (mm)	C7Ø16				
	高剛性直線滑軌 High Rigidity Linear Guide (mm)	W12XH7.5				
	連軸器 Coupling (mm)	10X14/11 (註1)				
	原點感應器 Home Sensor	外掛 Outside	BC-SX672 (NPN)			

※1 馬達加減速設定 0.2 秒。

Acceleration and deacceleration value is set 0.2 se cond.

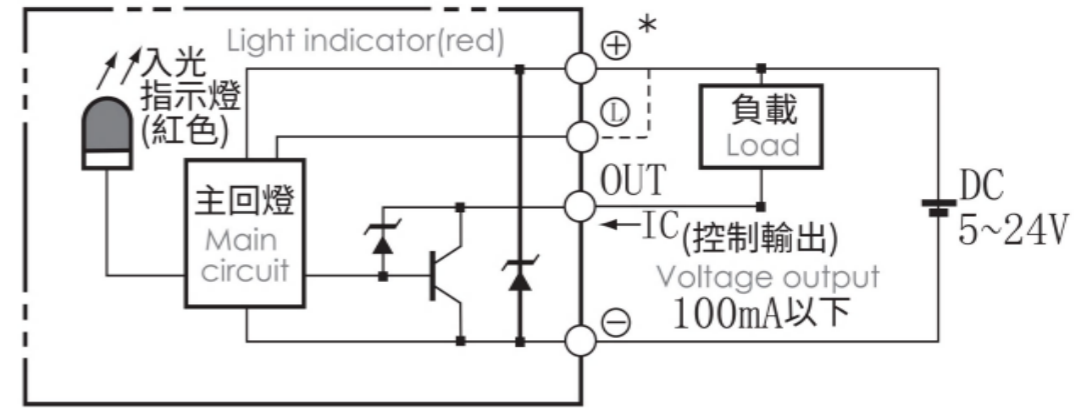
※2 行程超過 750 時，會產生螺桿偏擺，此時請將速度調降。

When the stroke is over 750mm, the run-out of the ballscrew will occur. We recommend to low down the working speed under this circumstances.

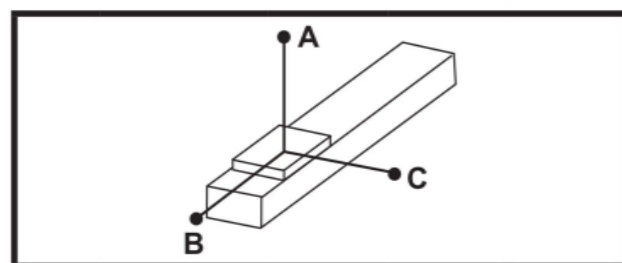
註 1: 使用 Panasonic 200W 馬達時，馬達軸心為 Ø11；其他廠牌，馬達軸心為 Ø14。

Motor (200W) Shaft Diameter: Panasonic: 11mm; Other: 14mm.

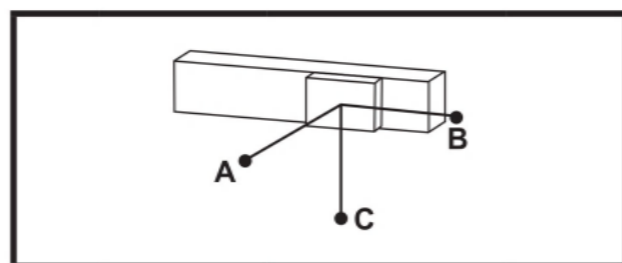
感應器接線圖 < 原點及端點 > Sensor Layout



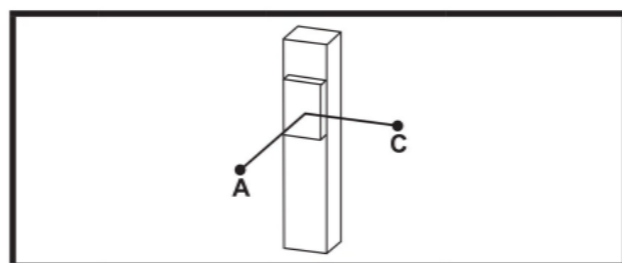
容許負載力距表 Allowable Overhang



(單位 Unit : mm)



(單位 Unit : mm)



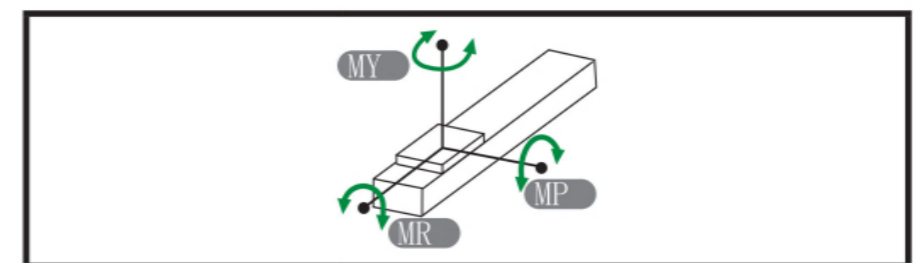
(單位 Unit : mm)

水平安裝 Horizontal Installation		A	B	C
導程 5 Lead	30kg	882	65	78
	40kg	606	43	51
	50kg	437	29	35
導程 10 Lead	15kg	875	138	157
	25kg	485	73	83
	30kg	386	56	64
導程 20 Lead	5kg	1160	384	386
	10kg	561	180	181
	18kg	288	88	89
導程 32 Lead	3kg	822	444	385
	5kg	492	255	224
-	-	-	-	-

壁掛安裝 Wall Installation		A	B	C
導程 5 Lead	25kg	100	84	1102
	35kg	63	52	725
	50kg	35	29	433
導程 10 Lead	10kg	250	221	1311
	20kg	110	97	633
	30kg	64	56	385
導程 20 Lead	6kg	317	316	955
	12kg	147	144	455
	18kg	89	88	288
導程 32 Lead	2kg	591	682	1256
	5kg	224	255	488
-	-	-	-	-

垂直安裝 Vertical Installation		A	C
導程 5 Lead	5kg	544	544
	8kg	341	341
	12kg	227	227
導程 10 Lead	4kg	606	606
	8kg	303	303
導程 20 Lead	2kg	961	961
	3kg	639	639
	-	-	-

靜態容許負載慣量 Static Loading Moment



(單位 Unit : N.m)

MY	150
MP	150
MR	130

* 力距表所表示的數據，代表重心。

The torque value in the chart indicate the center of gravity.

* 符合型錄規範的正常情況下，保證壽命為 10000 公里。

Operation life is 10,000km when the product is using under the specified conditions.

* 倒吊使用無法套用標準規範，如有需求請洽詢我司業務。

Data information is not for ceiling-mount inverse use. Contact us for the details if you want to apply ceiling-mount inverse usage.

Stroke and Maximum Speed mm/s

Ballscrew Spec		Maximum Speed *1	Stroke Pitch and Maximum Speed *2							
Diameter	Lead		Stroke 50-750	800	850	900	950	1000	1050	1100
16	5	250	250	225	200	175	150	125	100	75
	10	500	500	450	400	350	300	250	200	150
	20	1000	1000	900	800	700	600	500	400	300
	32	1600	1600	1440	1280	1120	960	800	640	460

*1 The maximum speed is based on the maximum speed of the servo motor 3000RPM.

*2 Standard stroke data, representing the maximum dangerous speed that can be used within the stroke, beyond this speed, the ball screw will resonate, resulting in greater noise and reduced ball screw life.

WA12 單軸 / 1axis

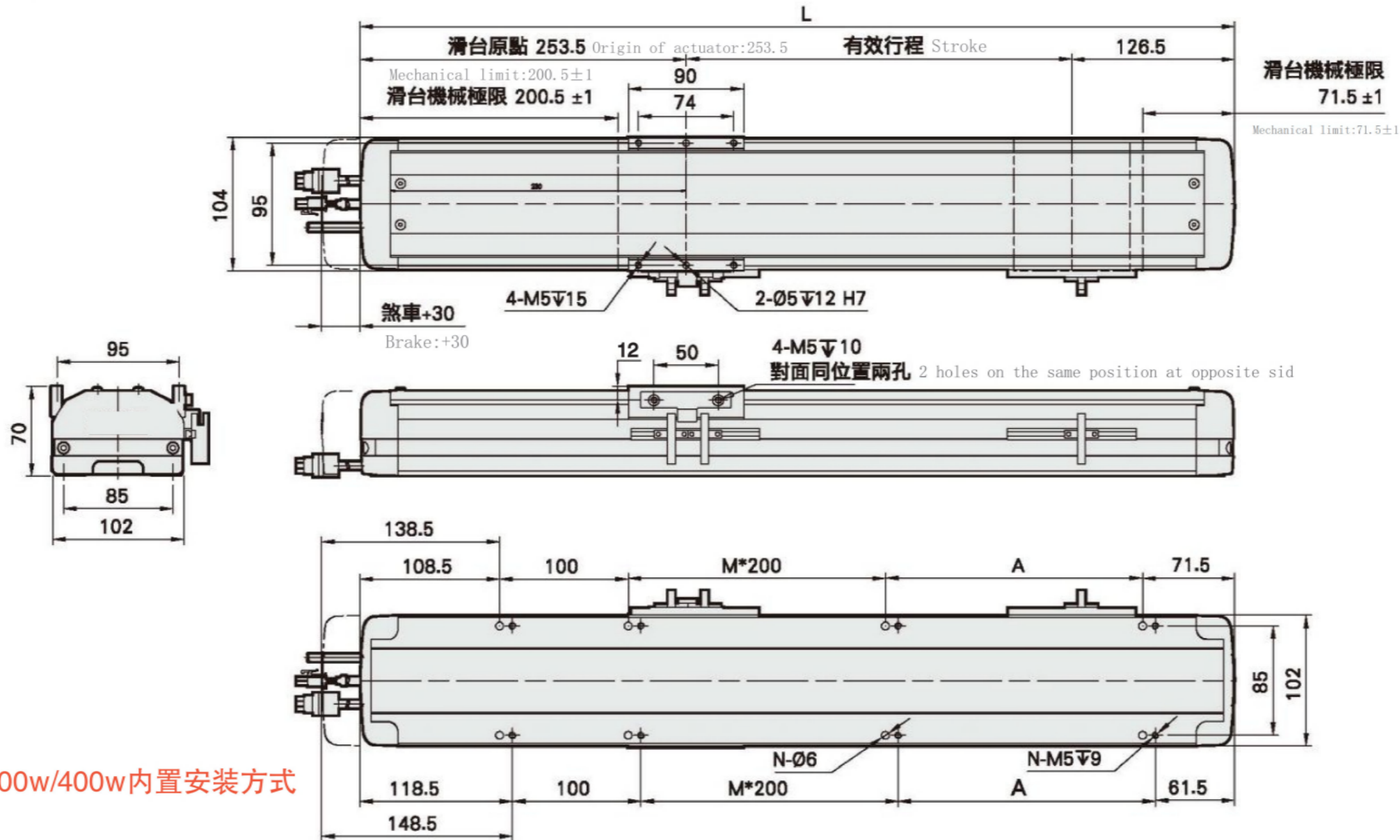
▶ 螺桿驅動
Ball Screw Drive

馬達直結 / 馬達外露

Motor Hidden In / Motor Exposed

單位 Unit : mm

M 馬達直結 Motor Hidden In

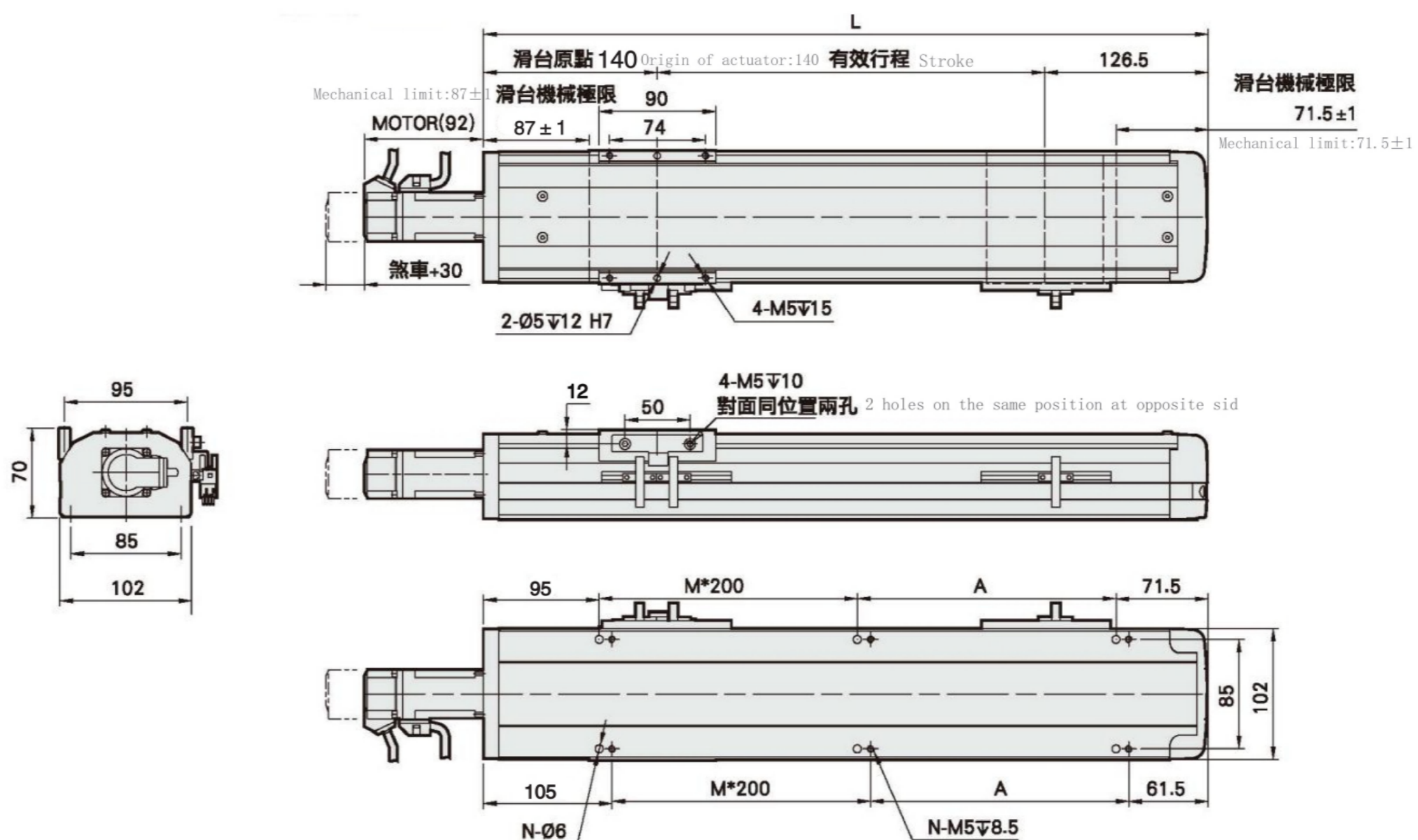


注: 无200w/400w内置安装方式

有效行程 Stroke	100	150	200	250	300	350	400	450	500	550	600	650	700	750	800	850	900	950	1000	1050
L	480	530	580	630	680	730	780	830	880	930	980	1030	1080	1130	1180	1230	1280	1330	1380	1430
A	200	50	100	150	200	50	100	150	200	50	100	150	200	50	100	150	200	50	100	150
M	0	1	1	1	1	2	2	2	2	3	3	3	3	4	4	4	4	5	5	5
N	6	8	8	8	8	10	10	10	10	12	12	12	12	14	14	14	14	16	16	16
KG	5.54	5.93	6.32	6.71	7.1	7.49	7.88	8.27	8.66	9.05	9.44	9.83	10.22	10.61	11	11.39	11.78	12.17	12.56	12.95

ME 馬達外露 Motor Exposed

單位 Unit : mm



有效行程 Stroke	100	150	200	250	300	350	400	450	500	550	600	650	700	750	800	850	900	950	1000	1050
L	366.5	416.5	466.5	516.5	566.5	616.5	666.5	716.5	766.5	816.5	866.5	916.5	966.5	1016.5	1066.5	1116.5	1166.5	1216.5	1266.5	1316.5
A	200	50	100	150	200	50	100	150	200	50	100	150	200	50	100	150	200	50	100	150
M	0	1	1	1	1	2	2	2	2	3	3	3	3	4	4	4	4	5	5	5
N	4	6	6	6	6	8	8	8	8	10	10	10	10	12	12	12	12	14	14	14
KG	5.67	6.06	6.45	6.84	7.23	7.62	8.01	8.4	8.79	9.18	9.57	9.96	10.35	10.74	11.13	11.52	11.91	12.3	12.69	13.08

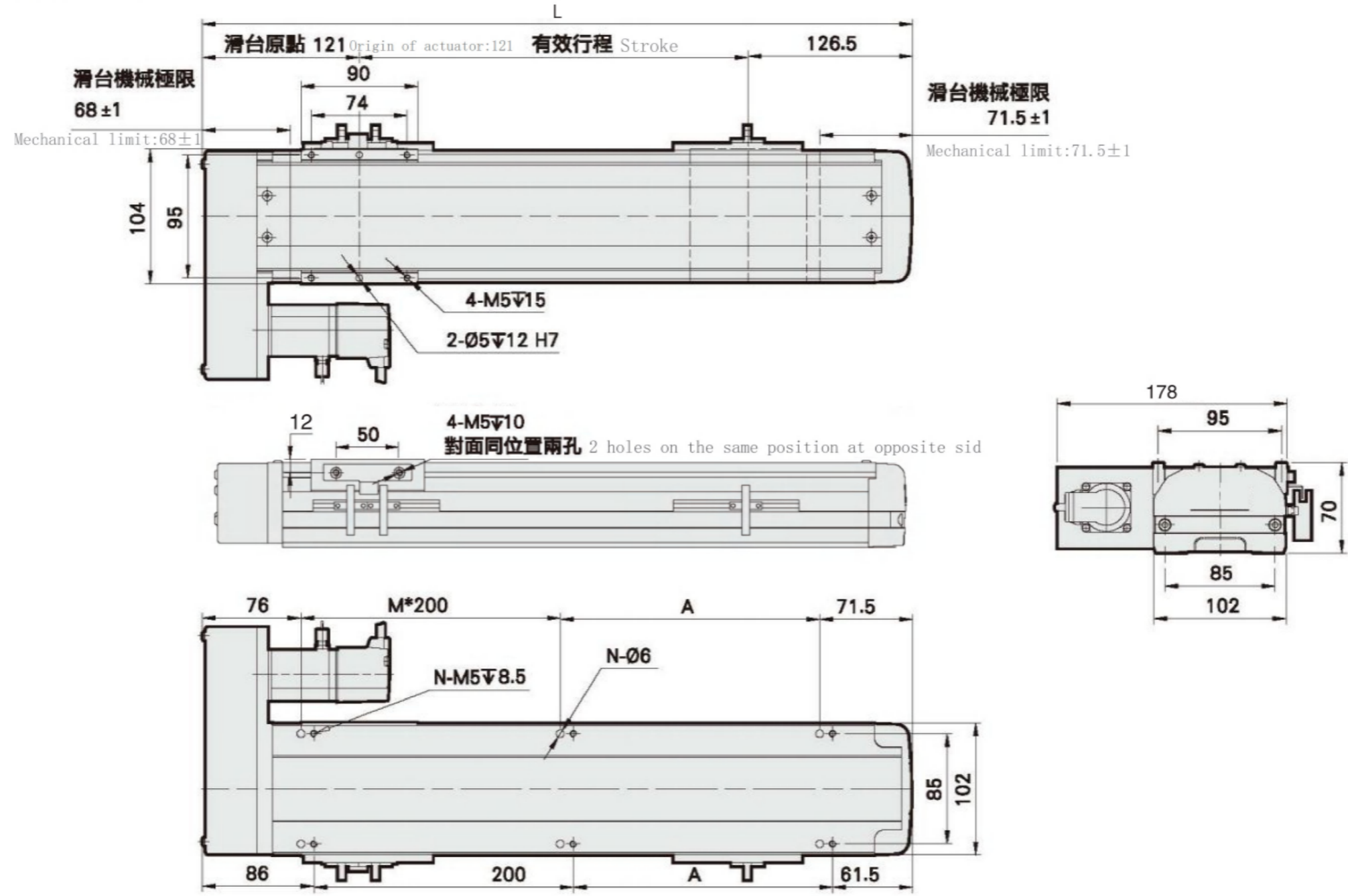


馬達左折 / 馬達右折

Motor Left Side / Motor Right Side

ML 馬達左折 Motor Left Side

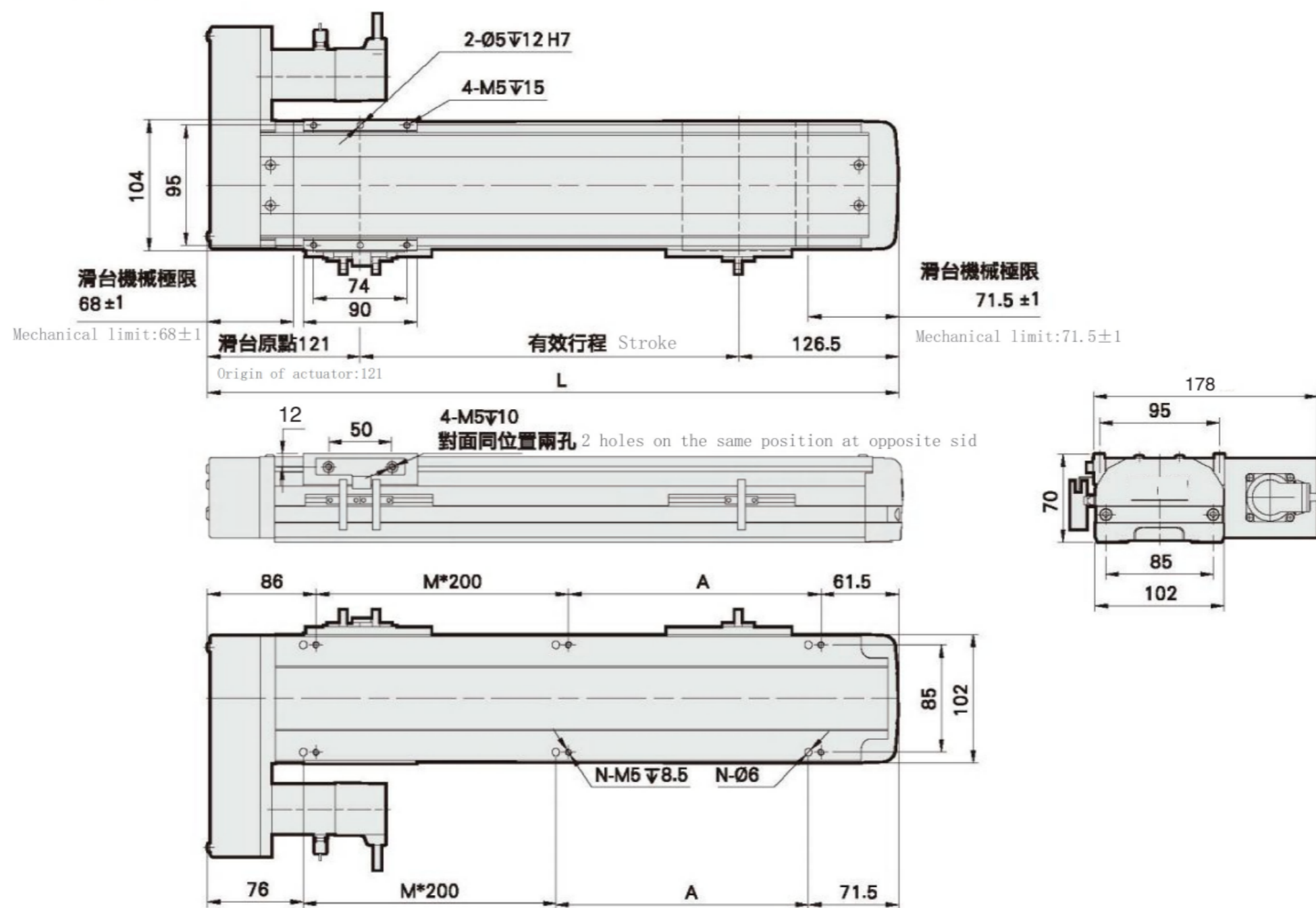
單位 Unit : mm



有效行程 Stroke	100	150	200	250	300	350	400	450	500	550	600	650	700	750	800	850	900	950	1000	1050
L	347.5	397.5	447.5	497.5	574.5	597.5	647.5	697.5	747.5	797.5	847.5	897.5	947.5	997.5	1047.5	1097.5	1147.5	1197.5	1247.5	1297.5
A	200	50	100	150	200	50	100	150	200	50	100	150	200	50	100	150	200	50	100	150
M	0	1	1	1	1	2	2	2	2	3	3	3	3	4	4	4	4	5	5	5
N	4	6	6	6	6	8	8	8	8	10	10	10	10	12	12	12	12	14	14	14
KG	6.05	6.44	6.83	7.22	7.61	8	8.39	8.78	9.17	9.56	9.95	10.34	10.73	11.12	11.51	11.9	12.29	12.68	13.07	13.46

MR 馬達右折 Motor Right Side

單位 Unit : mm



有效行程 Stroke	100	150	200	250	300	350	400	450	500	550	600	650	700	750	800	850	900	950	1000	1050
L	347.5	397.5	447.5	497.5	574.5	597.5	647.5	697.5	747.5	797.5	847.5	897.5	947.5	997.5	1047.5	1097.5	1147.5	1197.5	1247.5	1297.5
A	200	50	100	150	200	50	100	150	200	50	100	150	200	50	100	150	200	50	100	150
M	0	1	1	1	1	2	2	2	2	3	3	3	3	4	4	4	4	5	5	5
N	4	6	6	6	6	8	8	8	8	10	10	10	10	12	12	12	12	14	14	14
KG	6.05	6.44	6.83	7.22	7.61	8	8.39	8.78	9.17	9.56	9.95	10.34	10.73	11.12	11.51	11.9	12.29	12.68	13.07	13.46

WA12 單軸 / 1axis

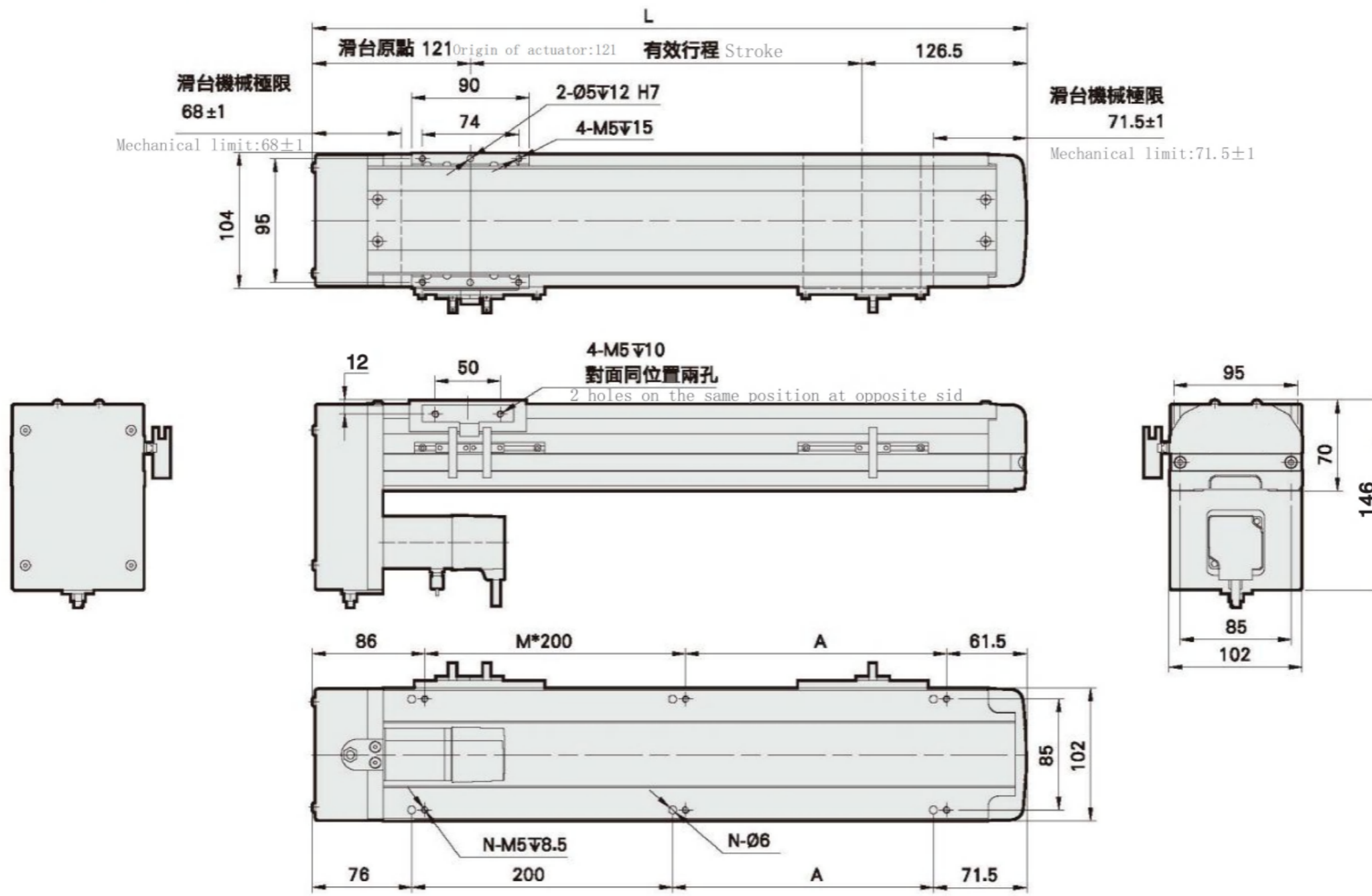
▶ 螺桿驅動
Ball Screw Drive

馬達下折

Motor Bottom Side

MD 馬達下折 Motor Bottom Side

單位 Unit : mm



有效行程 Stroke	100	150	200	250	300	350	400	450	500	550	600	650	700	750	800	850	900	950	1000	1050
L	347.5	397.5	447.5	497.5	574.5	597.5	647.5	697.5	747.5	797.5	847.5	897.5	947.5	997.5	1047.5	1097.5	1147.5	1197.5	1247.5	1297.5
A	200	50	100	150	200	50	100	150	200	50	100	150	200	50	100	150	200	50	100	150
M	0	1	1	1	1	2	2	2	2	3	3	3	3	4	4	4	4	5	5	5
N	4	6	6	6	6	8	8	8	8	10	10	10	10	12	12	12	12	14	14	14
KG	6.05	6.44	6.83	7.22	7.61	8	8.39	8.78	9.17	9.56	9.95	10.34	10.73	11.12	11.51	11.9	12.29	12.68	13.07	13.46

WA13 單軸 / 1-axis

▶ 螺桿驅動
Ball Screw Drive



此圖僅供參考，出貨規格詳見尺寸圖面

The picture is just for the reference. Please check the the actual dimensions on the drawing.

最大行程
Maximum Stroke 1050mm

最高速度
Maximum Speed 1600mm/s

馬達容量
Motor output 400W

滾珠螺桿
Ball Screw $\phi 16\text{mm}$

直線滑軌
Linear Guide 15X12.5-2 支

型號表示方式 Ordering Method

WA13-L10-100-ME-Y40B-A0-C-Z

本體型號
Model

行程
Stroke
50-1050mm
50間隔 50 mm Pitch

特注式樣
Customization Order No.
C: $\pm 0.01\text{mm}$
H: $\pm 0.005\text{mm}$
P: $\pm 0.003\text{mm}$
外部注油
External oiling

螺桿導程
Ball Screw Lead

5	5mm
10	10mm
20	20mm
32	32mm

馬達位置
Motor Position

M	馬達直結 Motor Hidden In
ME	馬達外露 Motor Exposed
ML	馬達左折 Motor Left Side
MR	馬達右折 Motor Right Side
MD	馬達下折 Motor Bottom Side

馬達廠牌
Motor Brand

Y	安川/三菱	10	-	B
P	松下	20	200W	
H	汇川	40	400W	
B	步进	75	-	

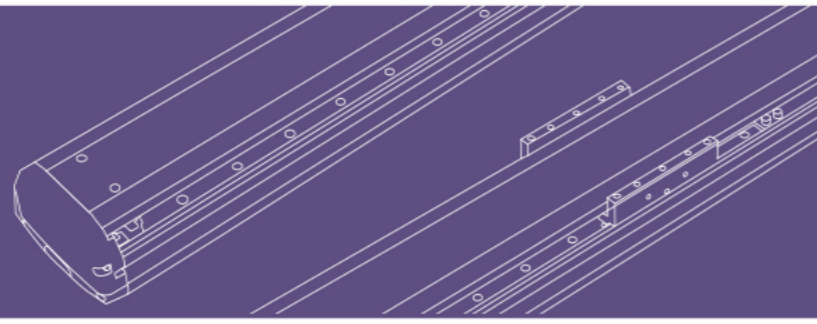
若無煞車則不表示。 If No Brake, No Description.

感應器類型
Sensor type

外置型 out Side	
A	NPN
P	PNP

端點極限感應器
Limit Sensor

外置型 out Side	
2	2只 2 Pc
3	3只 3 Pc
0	無 0 Pc



基本仕様 Specification

規格 Spec	位置重複精度 Repeatability (mm)	±0.01				
	螺桿導程 Ball Screw Lead (mm)	5	10	20	32	
	最高速度 Maximum Speed (mm/s) ※1	250	500	1000	1600	
	最大可搬重量 Maximum Payload	水平使用 Horizontal (kg)	70	47	24	13
		垂直使用 Vertical (kg)	17	12	6	-
	定格推力 Rated Thrust (N)	1388	694	433	347	
	標準行程 Stroke Pitch (mm) ※2	50-1050mm/50間隔 50 mm Pitch				
部品 Parts	AC 伺服馬達容量 AC Servo Motor Output (W)	400				
	滾珠螺桿外徑 Ball Screw Ø (mm)	C7Ø16				
	高剛性直線滑軌 High Rigidity Linear Guide (mm)	W15XH12.5				
	連軸器 Coupling (mm)	10X14/11 (註 1)				
	原點感應器 Home Sensor	BC-SX672 (NPN)				

※1 馬達加減速設定 0.2 秒。

Acceleration and deceleration value is set 0.2 second.

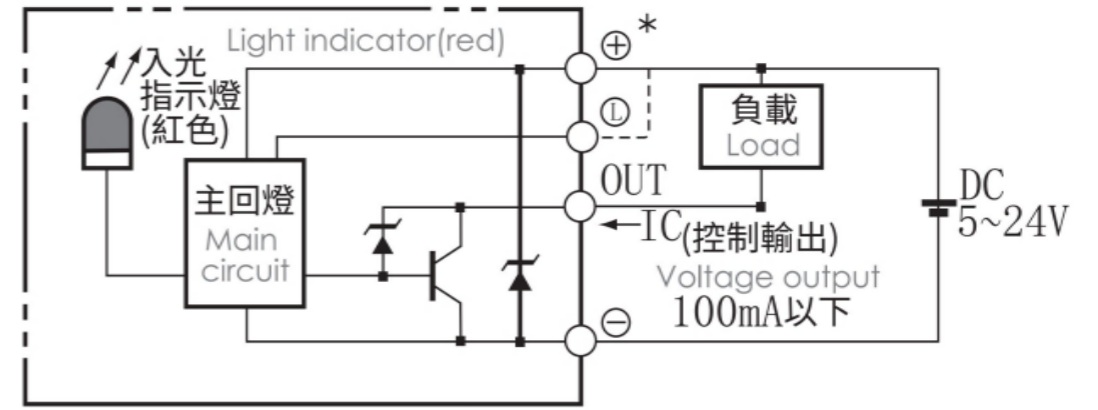
※2 行程超過 750 時，會產生螺桿偏擺，此時請將速度調降。

When the stroke is over 750mm, the run-out of the ballscrew will occur. We recommend to low down the working speed under this circumstances.

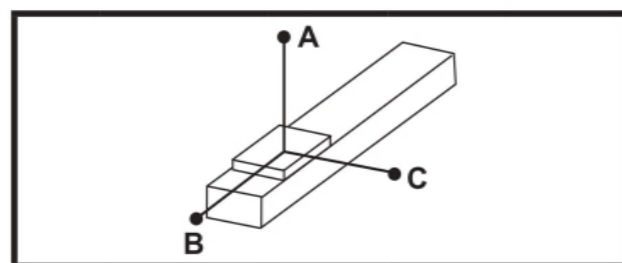
註 1: 使用 Panasonic 200W 馬達時，馬達軸心為 Ø11；其他廠牌，馬達軸心為 Ø14。

Motor (200W) Shaft Diameter: Panasonic: 11mm; Other: 14mm.

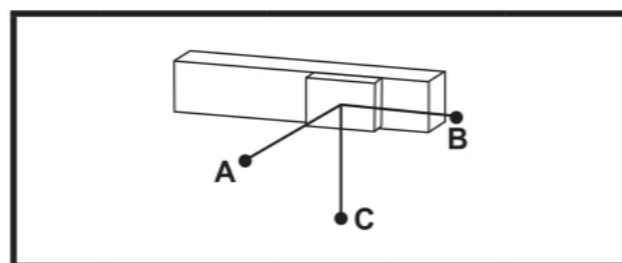
感應器接線圖 < 原點及端點 > Sensor Layout



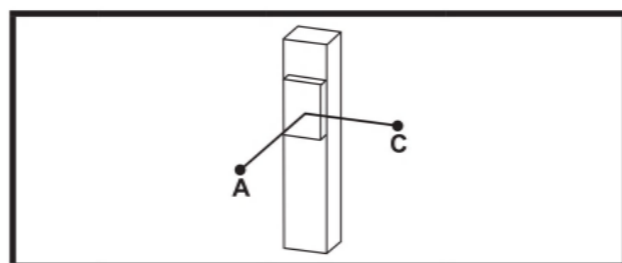
容許負載力距表 Allowable Overhang



(單位 Unit : mm)



(單位 Unit : mm)



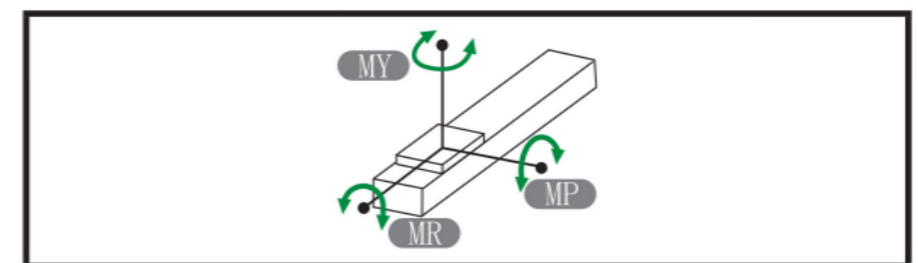
(單位 Unit : mm)

水平安裝 Horizontal Installation		A	B	C
導程 5 Lead	40kg	795	63	225
	55kg	558	43	155
	70kg	422	32	115
導程 10 Lead	25kg	588	95	276
	35kg	410	65	190
	47kg	295	46	135
導程 20 Lead	6kg	1068	355	710
	15kg	416	136	275
	24kg	252	81	166
導程 32 Lead	7kg	385	205	298
	13kg	204	106	156
	-	-	-	-

壁掛安裝 Wall Installation		A	B	C
導程 5 Lead	30kg	310	88	1066
	50kg	172	49	620
	70kg	115	32	422
導程 10 Lead	20kg	351	122	743
	30kg	225	78	484
	47kg	135	46	294
導程 20 Lead	5kg	852	428	1227
	12kg	345	173	522
	24kg	166	81	253
導程 32 Lead	6kg	350	240	453
	13kg	155	106	204
	-	-	-	-

垂直安裝 Vertical Installation		A	C
導程 5 Lead	5kg	580	580
	11kg	264	264
	17kg	170	170
導程 10 Lead	4kg	644	644
	8kg	322	322
	12kg	215	215
導程 20 Lead	3kg	667	667
	6kg	335	335
	-	-	-

靜態容許負載慣量 Static Loading Moment



(單位 Unit : N.m)

MY	174
MP	175
MR	153

* 力距表所表示的數據，代表重心。

The torque value in the chart indicate the center of gravity.

* 符合型錄規範的正常情況下，保證壽命為 10000 公里。

Operation life is 10,000km when the product is using under the specified conditions.

* 倒吊使用無法套用標準規範，如有需求請洽詢我司業務。

Data information is not for ceiling-mount inverse use. Contact us for the details if you want to apply ceiling-mount inverse usage.

Stroke and Maximum Speed mm/s

Ballscrew Spec		Maximum Speed *1	Stroke Pitch and Maximum Speed *2							
Diameter	Lead		Stroke 50-750	800	850	900	950	1000	1050	1100
16	5	250	250	225	200	175	150	125	100	75
	10	500	500	450	400	350	300	250	200	150
	20	1000	1000	900	800	700	600	500	400	300
	32	1600	1600	1440	1280	1120	960	800	640	450

*1 The maximum speed is based on the maximum speed of the servo motor 3000RPM.

*2 Standard stroke data, representing the maximum dangerous speed that can be used within the stroke, beyond this speed, the ball screw will resonate, resulting in greater noise and reduced ball screw life.

WA13 單軸 / 1axis

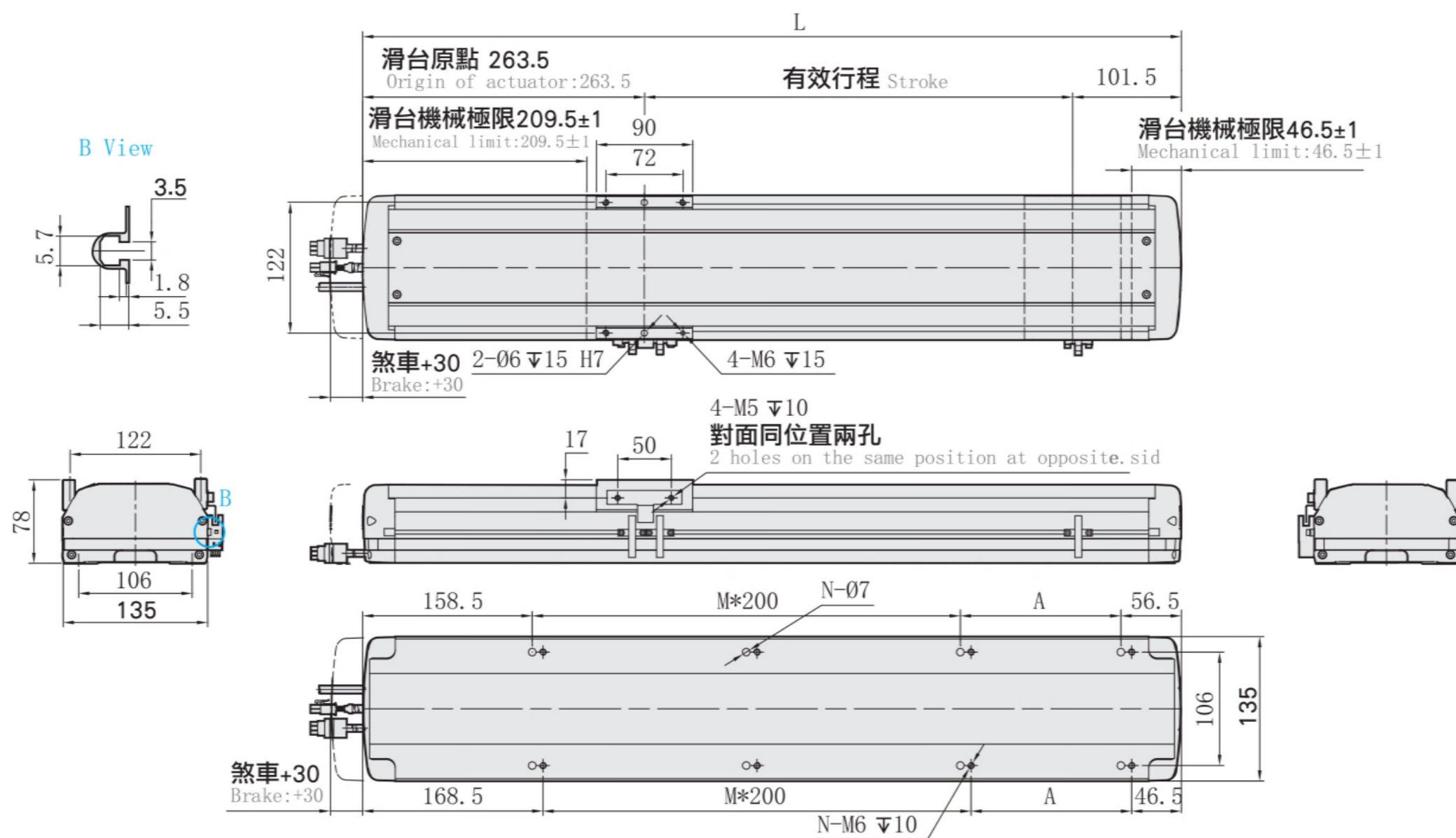
▶ 螺桿驅動
Ball Screw Drive

馬達直結 / 馬達外露

Motor Hidden In / Motor Exposed

M 馬達直結 Motor Hidden In

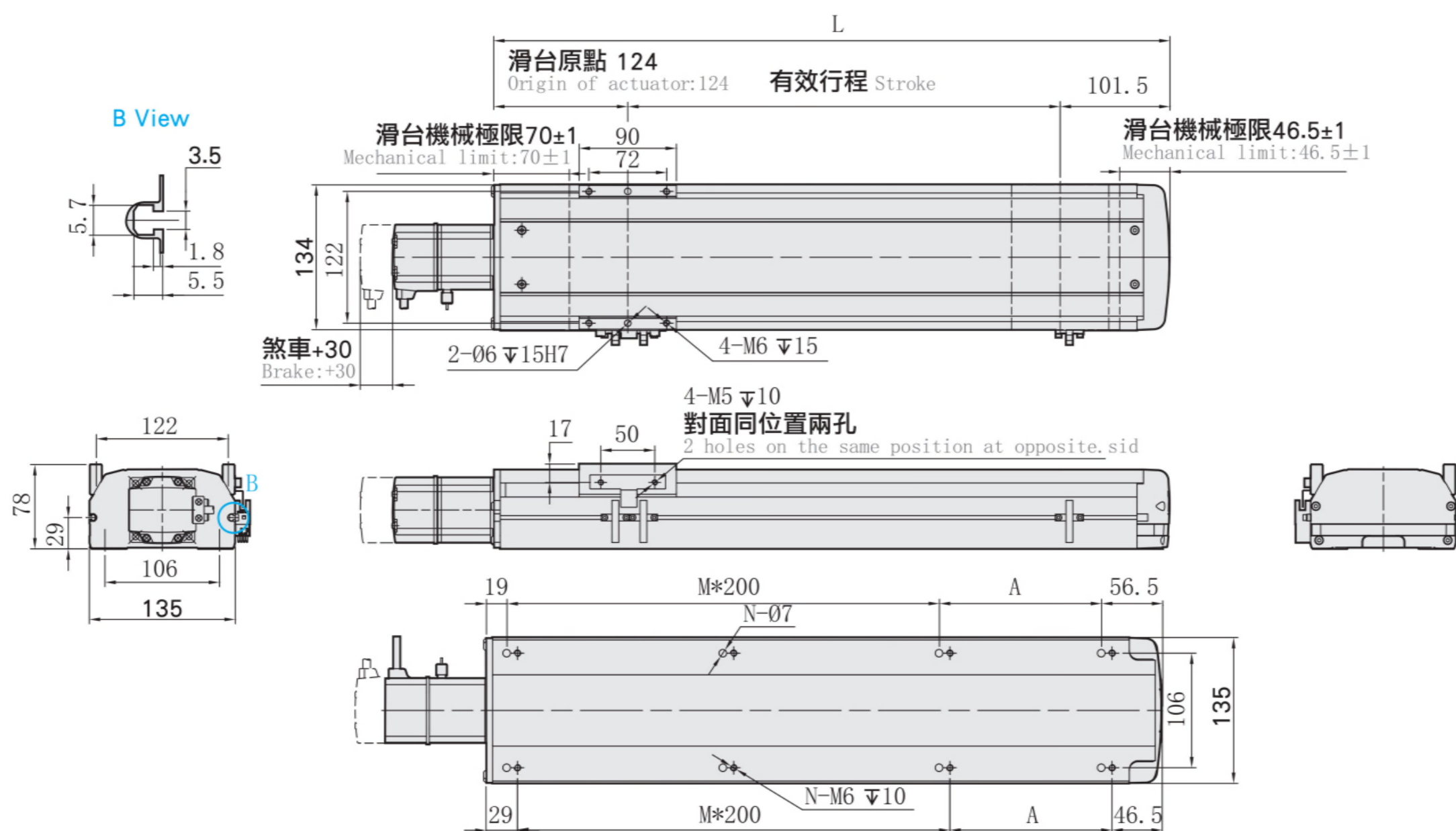
單位 Unit : mm



有效行程 Stroke	50	100	150	200	250	300	350	400	450	500	550	600	650	700	750	800	850	900	950	1000	1050
L	415	465	515	565	615	665	715	765	815	865	915	965	1015	1065	1115	1165	1215	1265	1315	1365	1415
A	200	50	100	150	200	50	100	150	200	50	100	150	200	50	100	150	200	50	100	150	200
M	0	1	1	1	1	2	2	2	2	3	3	3	3	4	4	4	4	5	5	5	5
N	4	6	6	6	6	8	8	8	8	10	10	10	10	12	12	12	12	14	14	14	14
KG	8.3	8.86	9.42	9.98	10.54	11.1	11.66	12.22	12.78	13.34	13.9	14.46	15.02	15.58	16.14	16.7	17.26	17.82	18.38	18.94	19.5

ME 馬達外露 Motor Exposed

單位 Unit : mm



有效行程 Stroke	50	100	150	200	250	300	350	400	450	500	550	600	650	700	750	800	850	900	950	1000	1050
L	275.5	325.5	375.5	425.5	475.5	525.5	575.5	625.5	675.5	725.5	775.5	825.5	875.5	925.5	975.5	1025.5	1075.5	1125.5	1175.5	1225.5	1275.5
A	200	50	100	150	200	50	100	150	200	50	100	150	200	50	100	150	200	50	100	150	200
M	0	1	1	1	1	2	2	2	2	3	3	3	3	4	4	4	4	5	5	5	5
N	4	6	6	6	6	8	8	8	8	10	10	10	10	12	12	12	12	14	14	14	14
KG	7.4	7.96	8.52	9.08	9.64	10.2	10.76	11.32	11.88	12.44	13	13.56	14.12	14.68	15.24	15.8	16.36	16.92	17.48	18.04	18.6

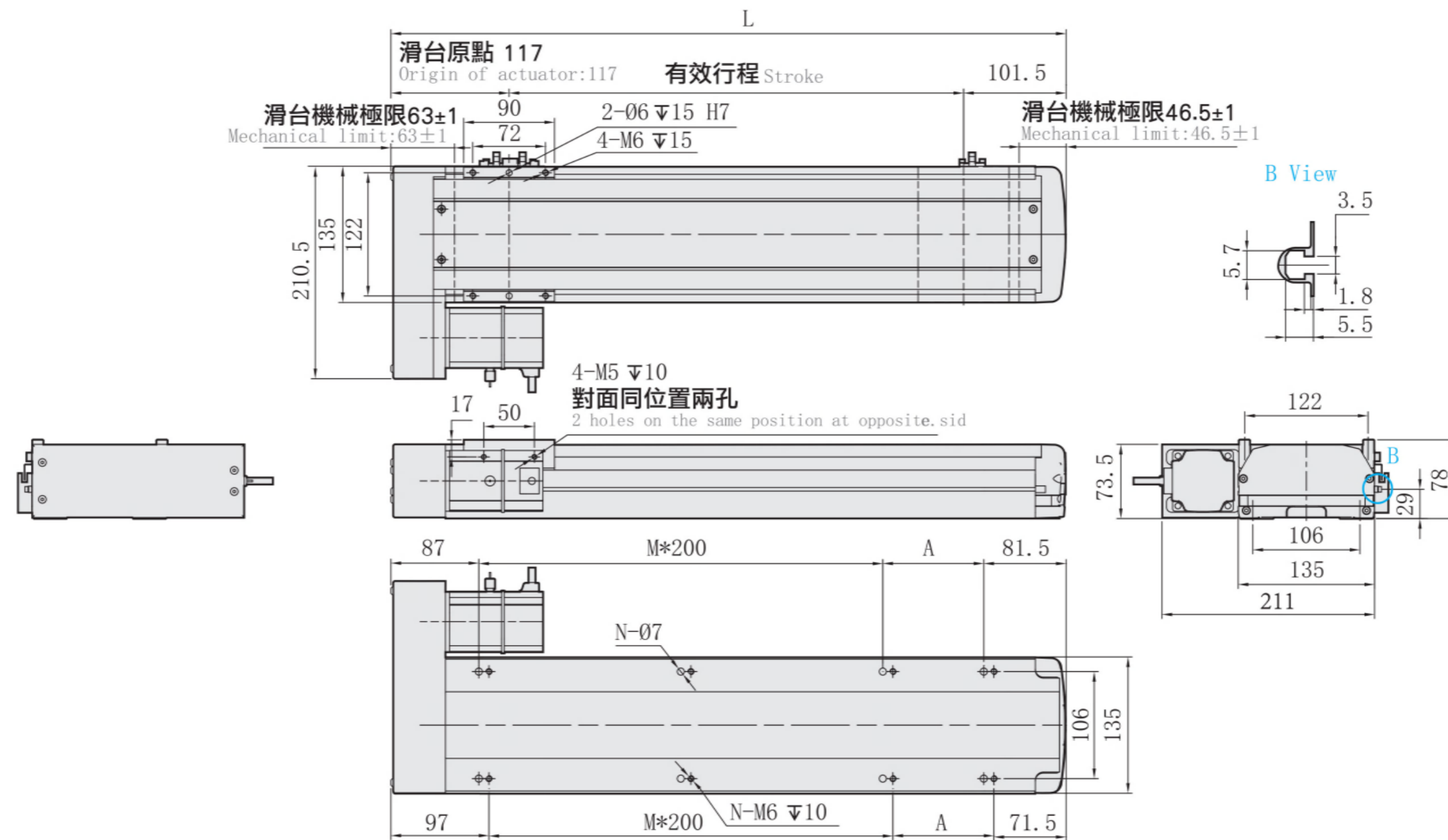


馬達左折 / 馬達右折

Motor Left Side / Motor Right Side

ML 馬達左折 Motor Left Side

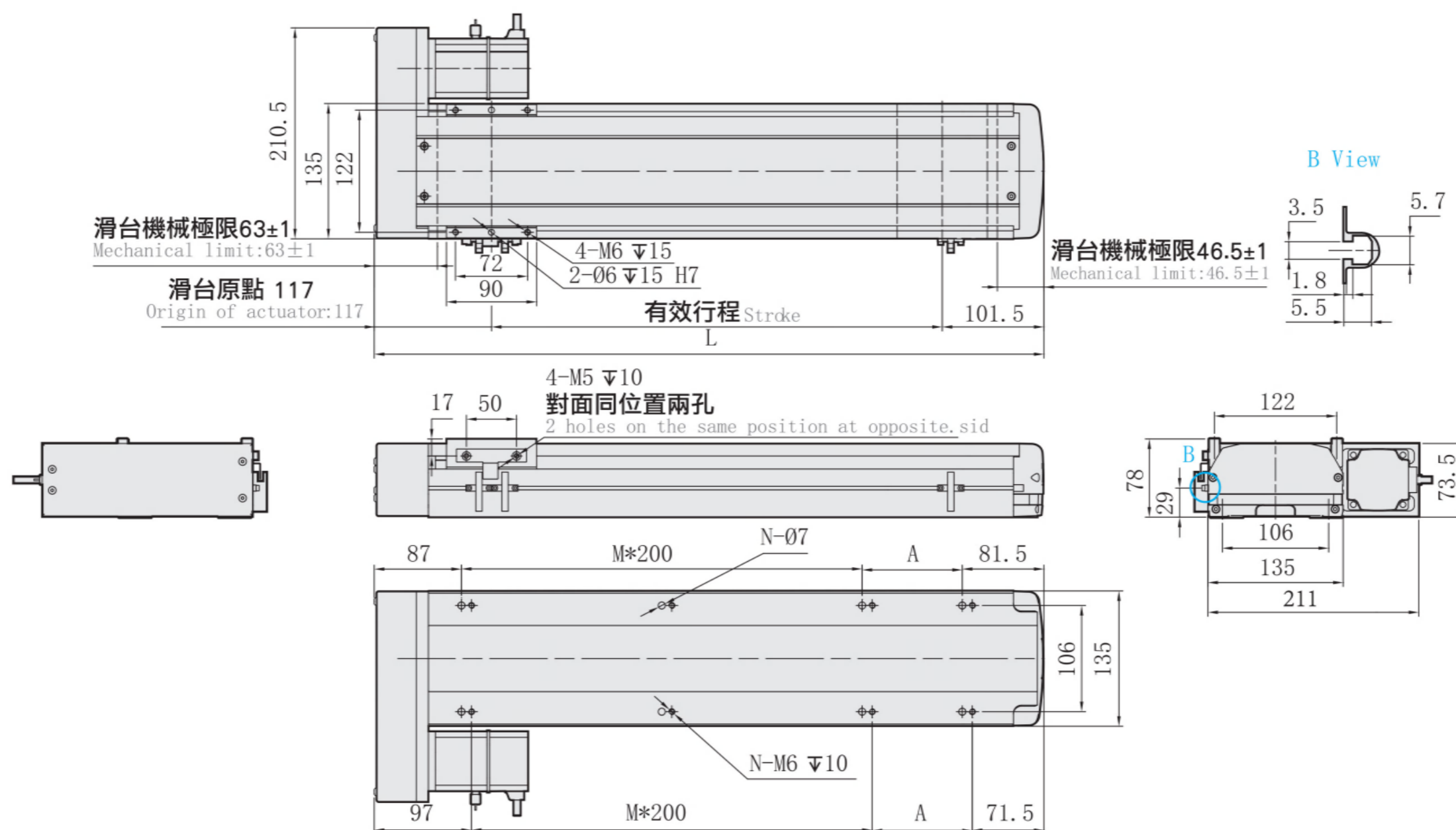
單位 Unit : mm



有效行程 Stroke	50	100	150	200	250	300	350	400	450	500	550	600	650	700	750	800	850	900	950	1000	1050
L	268.5	318.5	368.5	418.5	468.5	518.5	568.5	618.5	668.5	718.5	768.5	818.5	868.5	918.5	968.5	1018.5	1068.5	1118.5	1168.5	1218.5	1268.5
A	100	150	200	50	100	150	200	50	100	150	200	50	100	150	200	50	100	150	200	50	100
M	0	0	0	1	1	1	1	2	2	2	2	3	3	3	3	4	4	4	4	5	5
N	4	4	4	6	6	6	6	8	8	8	8	10	10	10	10	12	12	12	12	14	14
KG	7.94	8.5	9.06	9.62	10.18	10.74	11.3	11.86	12.42	12.98	13.54	14.1	14.66	15.22	15.78	16.34	16.9	17.46	18.02	18.58	19.14

MR 馬達右折 Motor Right Side

單位 Unit : mm



有效行程 Stroke	50	100	150	200	250	300	350	400	450	500	550	600	650	700	750	800	850	900	950	1000	1050
L	268.5	318.5	368.5	418.5	468.5	518.5	568.5	618.5	668.5	718.5	768.5	818.5	868.5	918.5	968.5	1018.5	1068.5	1118.5	1168.5	1218.5	1268.5
A	100	150	200	50	100	150	200	50	100	150	200	50	100	150	200	50	100	150	200	50	100
M	0	0	0	1	1	1	1	2	2	2	2	3	3	3	3	4	4	4	4	5	5
N	4	4	4	6	6	6	6	8	8	8	8	10	10	10	10	12	12	12	12	14	14
KG	7.94	8.5	9.06	9.62	10.18	10.74	11.3	11.86	12.42	12.98	13.54	14.1	14.66	15.22	15.78	16.34	16.9	17.46	18.02	18.58	19.14

WA13 單軸 / 1axis

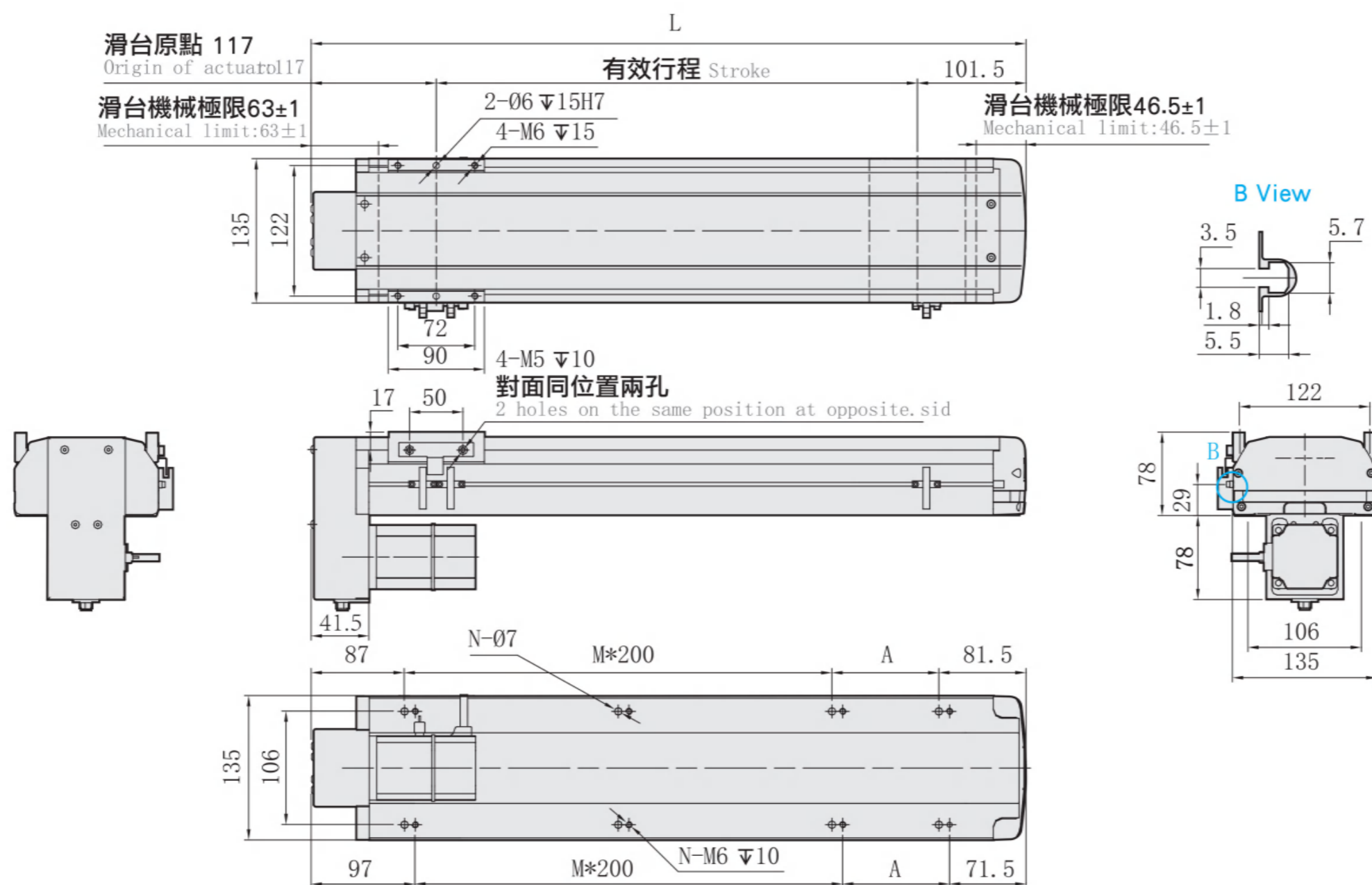
▶ 螺桿驅動
Ball Screw Drive

馬達下折

Motor Bottom Side

MD 馬達下折 Motor Bottom Side

單位 Unit : mm



有效行程 Stroke	50	100	150	200	250	300	350	400	450	500	550	600	650	700	750	800	850	900	950	1000	1050
L	268.5	318.5	368.5	418.5	468.5	518.5	568.5	618.5	668.5	718.5	768.5	818.5	868.5	918.5	968.5	1018.5	1068.5	1118.5	1168.5	1218.5	1268.5
A	100	150	200	50	100	150	200	50	100	150	200	50	100	150	200	50	100	150	200	50	100
M	0	0	0	1	1	1	1	2	2	2	2	3	3	3	3	4	4	4	4	5	5
N	4	4	4	6	6	6	6	8	8	8	8	10	10	10	10	12	12	12	12	14	14
KG	7.94	8.5	9.06	9.62	10.18	10.74	11.3	11.86	12.42	12.98	13.54	14.1	14.66	15.22	15.78	16.34	16.9	17.46	18.02	18.58	19.14

WA14 單軸 / 1-axis

▶ 螺桿驅動
Ball Screw Drive



此圖僅供參考，出貨規格詳見尺寸圖面

The picture is just for the reference. Please check the the actual dimensions on the drawing.

最大行程
Maximum Stroke 1050mm

最高速度
Maximum Speed 1600mm/s

馬達容量
Motor output 400W

滾珠螺桿
Ball Screw $\phi 16\text{mm}$

直線滑軌
Linear Guide 15X12.5-2 支

型號表示方式 Ordering Method

WA14-L10-100-ME-Y40B-A0-C-Z

本體型號
Model

行程
Stroke

50-1050mm
50間隔 50 mm Pitch

特注式樣
Customization Order No.

C: $\pm 0.01\text{mm}$
H: $\pm 0.005\text{mm}$
P: $\pm 0.003\text{mm}$

外部注油
External oiling

馬達位置
Motor Position

M	馬達直結 Motor Hidden In
ME	馬達外露 Motor Exposed
ML	馬達左折 Motor Left Side
MR	馬達右折 Motor Right Side
MD	馬達下折 Motor Bottom Side

馬達廠牌
Motor Brand

Y	安川/三菱	10	-	B
P	松下	20	200W	
H	汇川	40	400W	
B	步进	75	-	

若無煞車則不表示。 If No Brake, No Description.

感應器類型
Sensor type

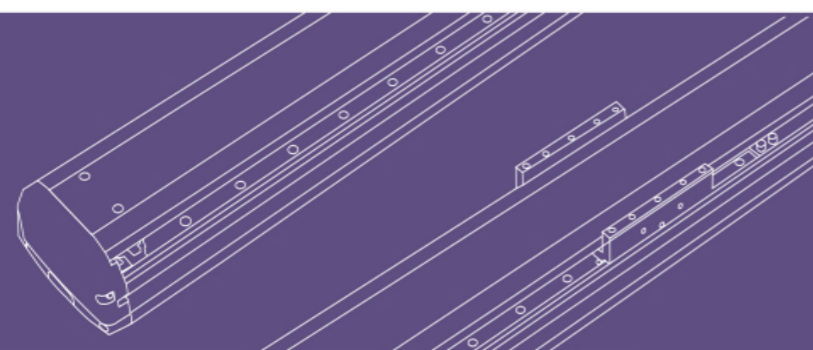
外置型 out Side	
A	NPN
P	PNP

端點極限感應器
Limit Sensor

外置型 out Side	
2	2只 2 Pc
3	3只 3 Pc
0	無 0 Pc

螺桿導程
Ball Screw Lead

5	05mm
10	10mm
20	20mm
32	32mm



基本仕様 Specification

規格 Spec	位置重複精度 Repeatability (mm)	± 0.01				
	螺桿導程 Ball Screw Lead (mm)	5	10	20	32	
	最高速度 Maximum Speed (mm/s) ※1	250	500	1000	1600	
	最大可搬重量 Maximum Payload	水平使用 Horizontal (kg)	110	88	40	30
		垂直使用 Vertical (kg)	33	22	10	8
	定格推力 Rated Thrust (N)	1388	694	347	218	
標準行程 Stroke Pitch (mm) ※2	50-1050mm/50間隔 50 mm Pitch					
部品 Parts	AC 伺服馬達容量 AC Servo Motor Output (W)	400				
	滾珠螺桿外徑 Ball Screw Ø (mm)	C7Ø16				
	高剛性直線滑軌 High Rigidity Linear Guide (mm)	W15XH12.5				
	連軸器 Coupling (mm)	10X14/11(註1)				
	原點感應器 Home Sensor	外掛 Outside	BC-SX672 (NPN)			

※1 馬達加減速設定 0.2 秒。

Acceleration and deceleration value is set 0.2 second.

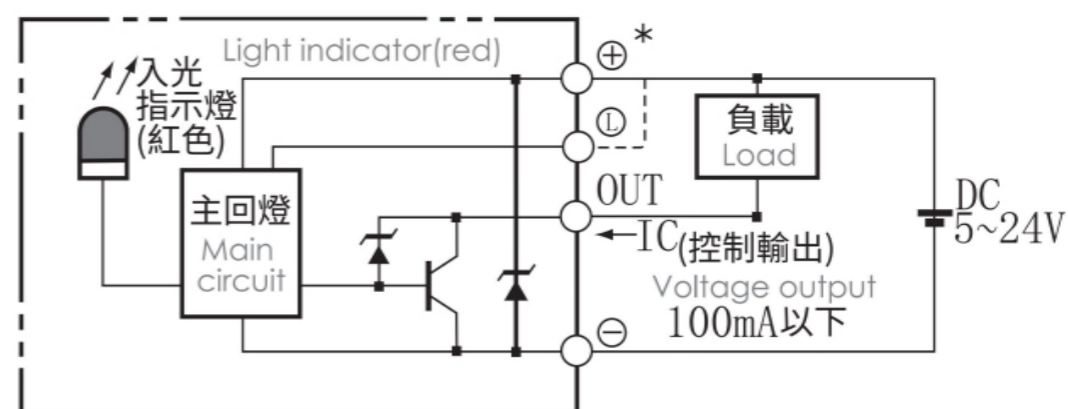
※2 行程超過 750 時，會產生螺桿偏擺，此時請將速度調降。

When the stroke is over 750mm, the run-out of the ballscrew will occur. We recommend to low down the working speed under this circumstances.

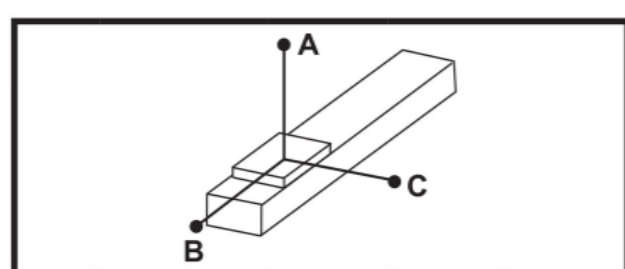
註 1: 使用 Panasonic 200W 馬達時，馬達軸心為 Ø11；其他廠牌，馬達軸心為 Ø14。

Motor (200W) Shaft Diameter: Panasonic: 11mm; Other: 14mm.

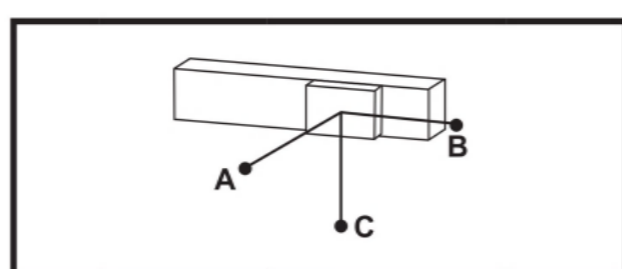
感應器接線圖 < 原點及端點 > Sensor Layout



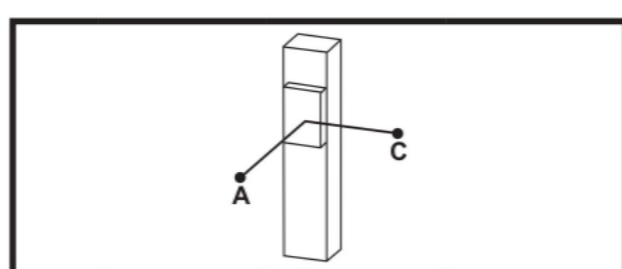
容許負載力距表 Allowable Overhang



(單位 Unit : mm)



(單位 Unit : mm)



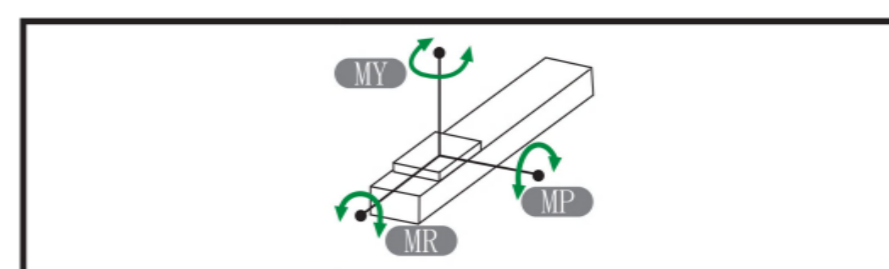
(單位 Unit : mm)

水平安裝 Horizontal Installation	A	B	C	
導程 5 Lead	60kg	2512	242	232
	80kg	1811	172	164
	110kg	1284	114	108
導程 10 Lead	30kg	2727	470	430
	50kg	1577	266	242
	88kg	854	134	122
導程 20 Lead	10kg	2304	1222	1028
	22kg	1443	540	451
	40kg	860	277	233
導程 32 Lead	15kg	1033	545	405
	25kg	604	311	233
	35kg	495	251	188

壁掛安裝 Wall Installation	A	B	C	
導程 5 Lead	55kg	257	269	2883
	75kg	178	186	2000
	110kg	108	114	1284
導程 10 Lead	35kg	363	395	2368
	55kg	218	238	1445
	88kg	123	134	854
導程 20 Lead	12kg	854	1019	2552
	20kg	500	596	1588
	40kg	233	277	860
導程 32 Lead	15kg	405	545	1033
	30kg	188	251	495
	-	-	-	-

垂直安裝 Vertical Installation	A	C	
導程 5 Lead	15kg	1118	1118
	22kg	770	770
	33kg	513	513
導程 10 Lead	10kg	1500	1500
	14kg	1072	1072
	22kg	682	682
導程 20 Lead	7kg	1700	1700
	10kg	1188	1188
	-	-	-
導程 30 Lead	5kg	1503	1503
	8kg	944	944
	-	-	-

靜態容許負載慣量 Static Loading Moment



(單位 Unit : N.m)

MY	551
MP	552
MR	485

* 力距表所表示的數據，代表重心。

The torque value in the chart indicate the center of gravity.

* 符合型錄規範的正常情況下，保證壽命為 10000 公里。

Operation life is 10,000km when the product is using under the specified conditions.

* 倒吊使用無法套用標準規範，如有需求請洽詢我司業務。

Data information is not for ceiling-mount inverse use. Contact us for the details if you want to apply ceiling-mount inverse usage.

Stroke and Maximum Speed mm/s

Ballscrew Spec		Maximum Speed *1	Stroke Pitch and Maximum Speed *2							
Diameter	Lead		Stroke 50-750	800	850	900	950	1000	1050	1100
16	5	250	250	225	200	175	150	125	100	75
	10	500	500	450	400	350	300	250	200	150
	20	1000	1000	900	800	700	600	500	400	300
	32	1600	1600	1440	1280	1120	960	800	640	450

*1 The maximum speed is based on the maximum speed of the servo motor 3000RPM.

*2 Standard stroke data, representing the maximum dangerous speed that can be used within the stroke, beyond this speed, the ball screw will resonate, resulting in greater noise and reduced ball screw life.

WA14 單軸 / 1axis

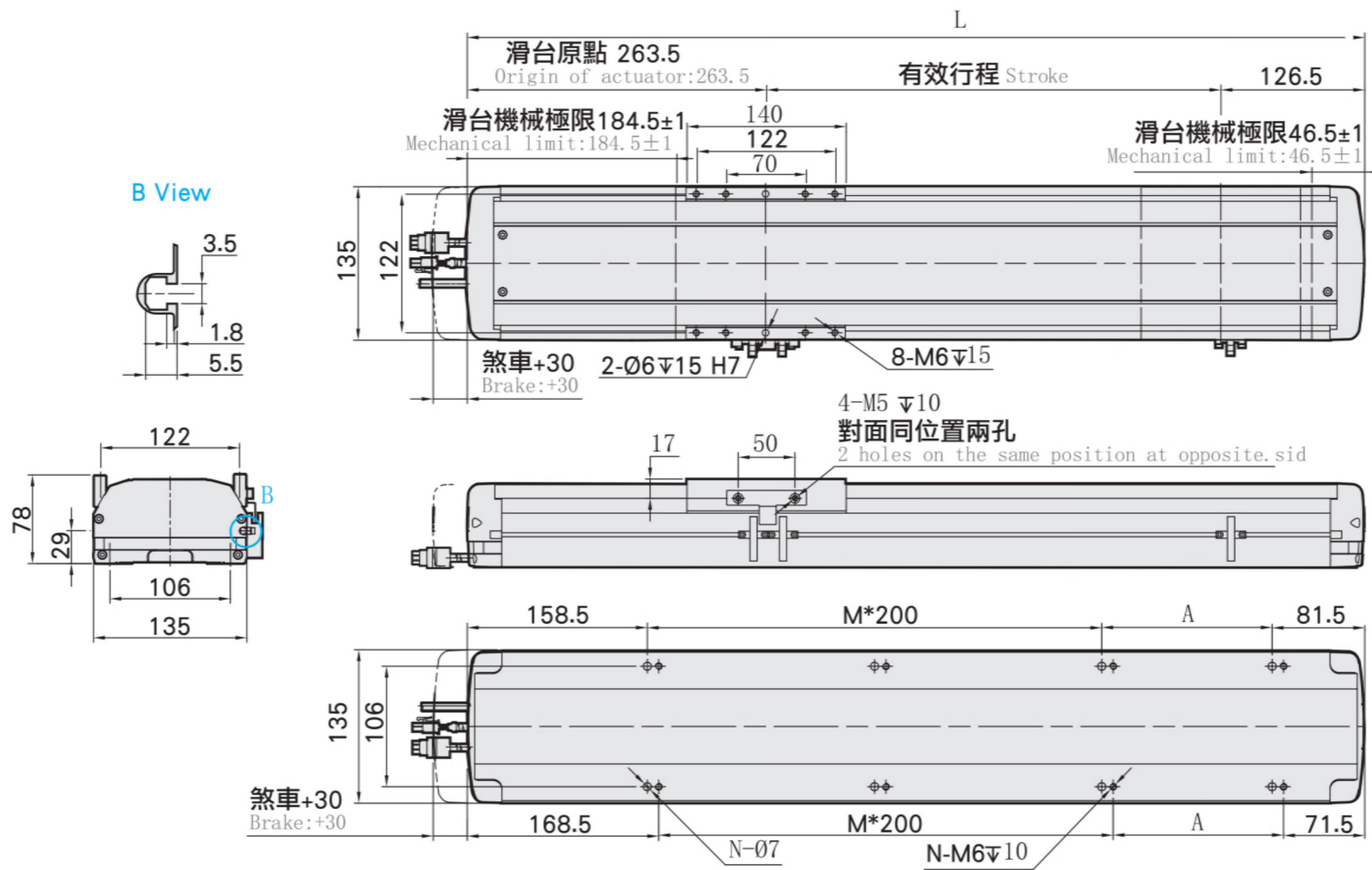
▶ 螺桿驅動
Ball Screw Drive

馬達直結 / 馬達外露

Motor Hidden In / Motor Exposed

M 馬達直結 Motor Hidden In

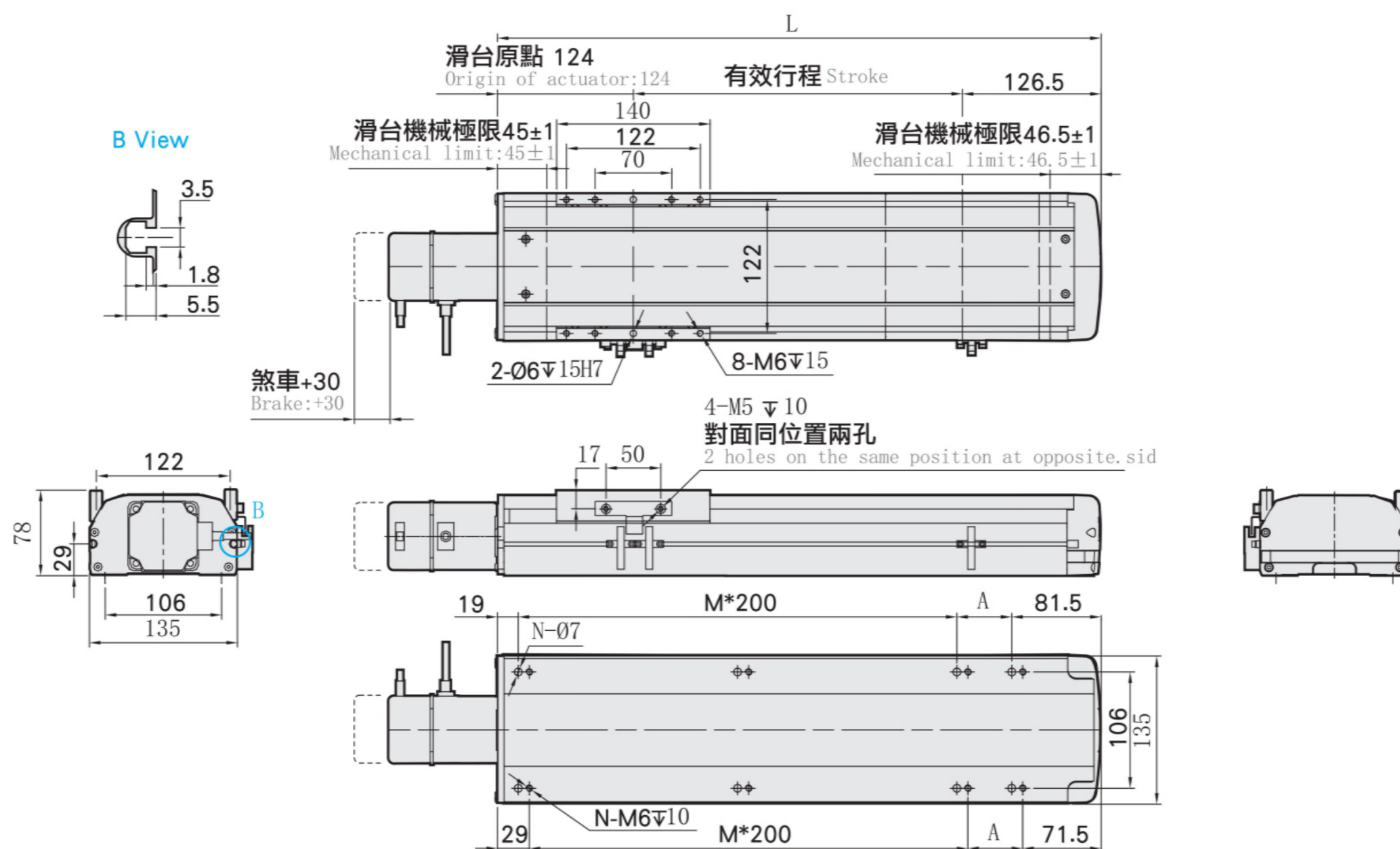
單位 Unit : mm



有效行程 Stroke	50	100	150	200	250	300	350	400	450	500	550	600	650	700	750	800	850	900	950	1000	1050
L	440	490	540	590	640	690	740	790	840	890	940	990	1040	1090	1140	1190	1240	1290	1340	1390	1440
A	200	50	100	150	200	50	100	150	200	50	100	150	200	50	100	150	200	50	100	150	200
M	0	1	1	1	1	2	2	2	2	3	3	3	3	4	4	4	4	5	5	5	5
N	4	6	6	6	6	8	8	8	8	10	10	10	10	12	12	12	12	14	14	14	14
KG	9.5	10.06	10.62	11.18	11.74	12.3	12.86	13.42	13.98	14.54	15.1	15.66	16.22	16.78	17.34	17.9	18.46	19.02	19.58	20.14	20.7

ME 馬達外露 Motor Exposed

單位 Unit : mm



有效行程 Stroke	50	100	150	200	250	300	350	400	450	500	550	600	650	700	750	800	850	900	950	1000	1050
L	300.5	350.5	400.5	450.5	500.5	550.5	600.5	650.5	700.5	750.5	800.5	850.5	900.5	950.5	1000.5	1050.5	1100.5	1150.5	1200.5	1250.5	1300.5
A	200	50	100	150	200	50	100	150	200	50	100	150	200	50	100	150	200	50	100	150	200
M	0	1	1	1	1	2	2	2	2	3	3	3	3	4	4	4	4	5	5	5	5
N	4	6	6	6	6	8	8	8	8	10	10	10	10	12	12	12	12	14	14	14	14
KG	8.75	9.3	9.85	10.4	10.95	11.5	12.05	12.6	13.15	13.7	14.25	14.8	15.35	15.9	16.45	17	17.55	18.1	18.65	19.2	19.75

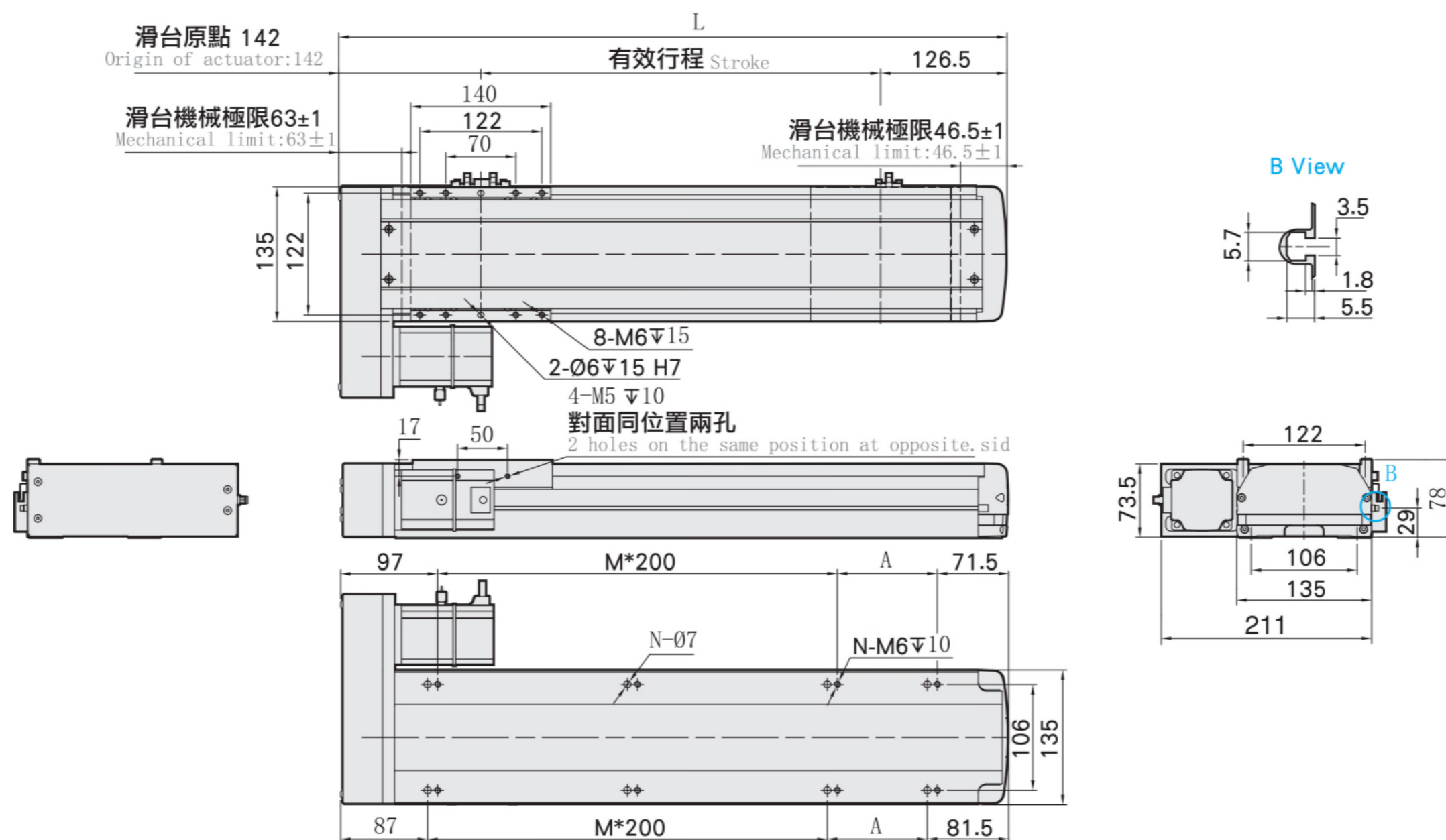


馬達左折 / 馬達右折

Motor Left Side / Motor Right Side

ML 馬達左折 Motor Left Side

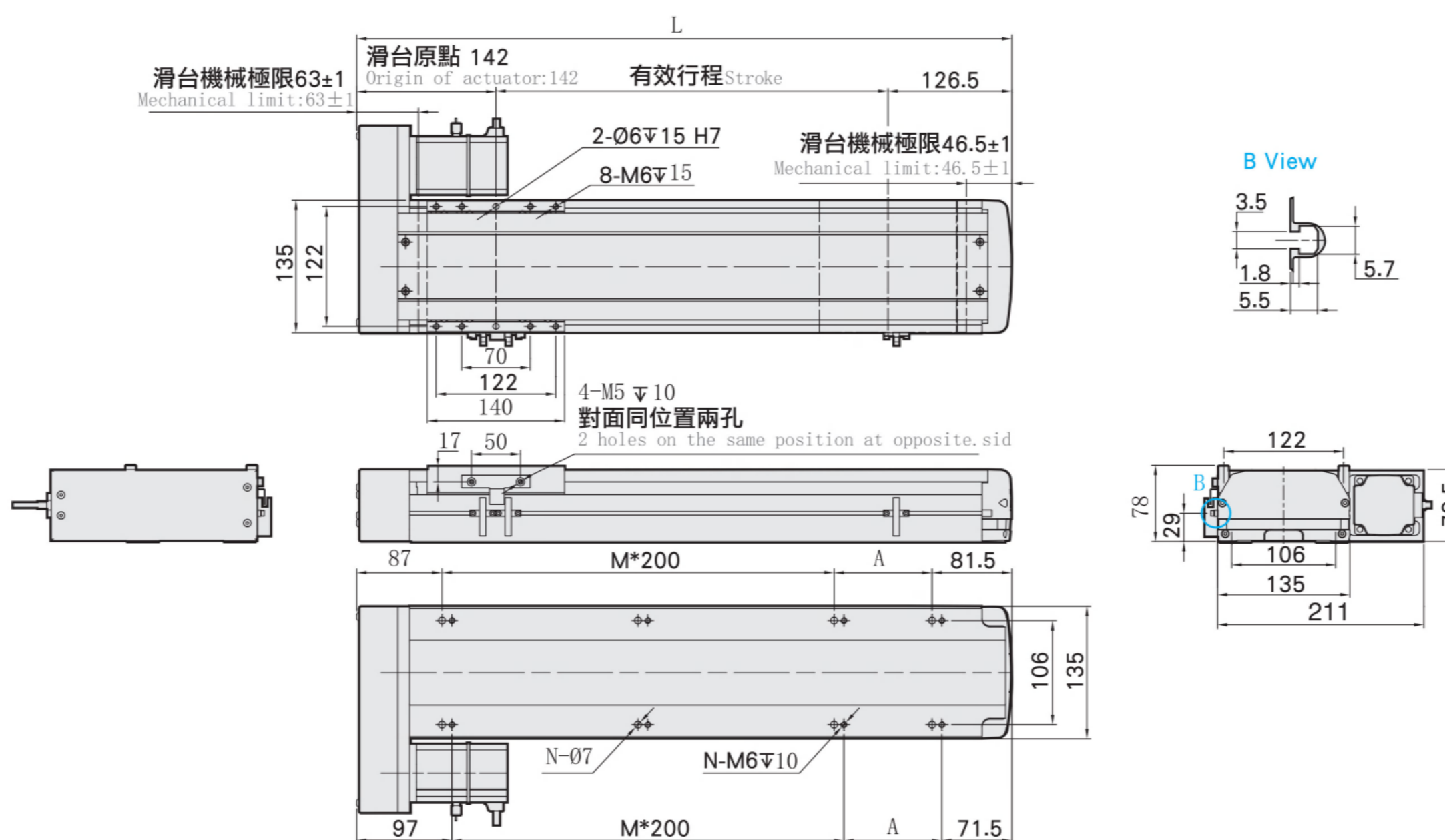
單位 Unit : mm



有效行程 Stroke	50	100	150	200	250	300	350	400	450	500	550	600	650	700	750	800	850	900	950	1000	1050
L	318.5	368.5	418.5	468.5	518.5	568.5	618.5	668.5	718.5	768.5	818.5	868.5	918.5	968.5	1018.5	1068.5	1118.5	1168.5	1218.5	1268.5	1318.5
A	150	200	50	100	150	200	50	100	150	200	50	100	150	200	50	100	150	200	50	100	150
M	0	0	1	1	1	1	2	2	2	2	3	3	3	3	4	4	4	4	5	5	5
N	4	4	6	6	6	6	8	8	8	8	10	10	10	10	12	12	12	12	14	14	14
KG	9.4	9.94	10.48	11.02	11.56	12.1	12.64	13.18	13.72	14.26	14.8	15.34	15.88	16.42	16.96	17.5	18.04	18.58	19.12	19.66	20.2

MR 馬達右折 Motor Right Side

單位 Unit : mm



有效行程 Stroke	50	100	150	200	250	300	350	400	450	500	550	600	650	700	750	800	850	900	950	1000	1050
L	318.5	368.5	418.5	468.5	518.5	568.5	618.5	668.5	718.5	768.5	818.5	868.5	918.5	968.5	1018.5	1068.5	1118.5	1168.5	1218.5	1268.5	1318.5
A	150	200	50	100	150	200	50	100	150	200	50	100	150	200	50	100	150	200	50	100	150
M	0	0	1	1	1	1	2	2	2	2	3	3	3	3	4	4	4	4	5	5	5
N	4	4	6	6	6	6	8	8	8	8	10	10	10	10	12	12	12	12	14	14	14
KG	9.4	9.94	10.48	11.02	11.56	12.1	12.64	13.18	13.72	14.26	14.8	15.34	15.88	16.42	16.96	17.5	18.04	18.58	19.12	19.66	20.2

WA14 單軸 / 1axis

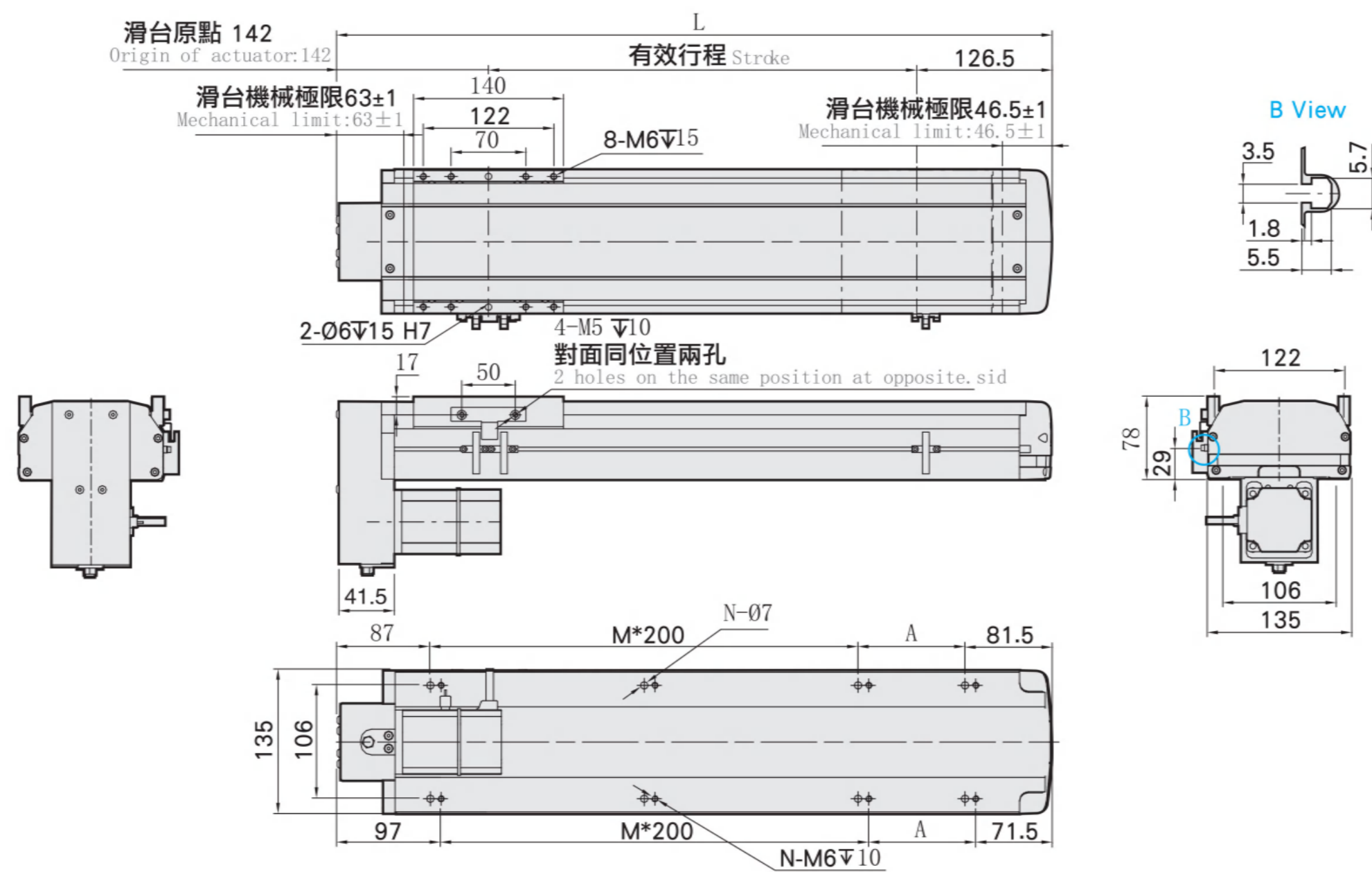
▶ 螺桿驅動
Ball Screw Drive

馬達下折

Motor Bottom Side

MD 馬達下折 Motor Bottom Side

單位 Unit : mm



有效行程 Stroke	50	100	150	200	250	300	350	400	450	500	550	600	650	700	750	800	850	900	950	1000	1050
L	318.5	368.5	418.5	468.5	518.5	568.5	618.5	668.5	718.5	768.5	818.5	868.5	918.5	968.5	1018.5	1068.5	1118.5	1168.5	1218.5	1268.5	1318.5
A	150	200	50	100	150	200	50	100	150	200	50	100	150	200	50	100	150	200	50	100	150
M	0	0	1	1	1	1	2	2	2	2	3	3	3	3	4	4	4	4	5	5	5
N	4	4	6	6	6	6	8	8	8	8	10	10	10	10	12	12	12	12	14	14	14
KG	9.4	9.94	10.48	11.02	11.56	12.1	12.64	13.18	13.72	14.26	14.8	15.34	15.88	16.42	16.96	17.5	18.04	18.58	19.12	19.66	20.2

WA17 單軸 /1-axis

▶ 螺桿驅動
Ball Screw Drive



此圖僅供參考，出貨規格詳見尺寸圖面
The picture is just for the reference. Please check the the actual dimensions on the drawing.

最大行程
Maximum Stroke 1250mm

最高速度
Maximum Speed 2000mm/s

馬達容量
Motor output 750W

滾珠螺桿
Ball Screw $\phi 20\text{mm}$

直線滑軌
Linear Guide 20X15-2 支

型號表示方式 Ordering Method

WA17-L10-100-ME-Y75B-A0 - C - Z

本體型號
Model

行程
Stroke
50-1250mm
50間隔 50 mm Pitch

特注式樣
Customization Order No.
C: $\pm 0.01\text{mm}$
H: $\pm 0.005\text{mm}$
P: $\pm 0.003\text{mm}$

外部注油
External oiling

螺桿導程
Ball Screw Lead

5	5mm
10	10mm
20	20mm
40	40mm

馬達位置
Motor Position

M	馬達直結 Motor Hidden In
ME	馬達外露 Motor Exposed
ML	馬達左折 Motor Left Side
MR	馬達右折 Motor Right Side
MD	馬達下折 Motor Bottom Side

馬達廠牌
Motor Brand

Y	安川/三菱	20	-	B
P	松下	40	400W	
H	汇川	75	750W	
B	步进	100	-	

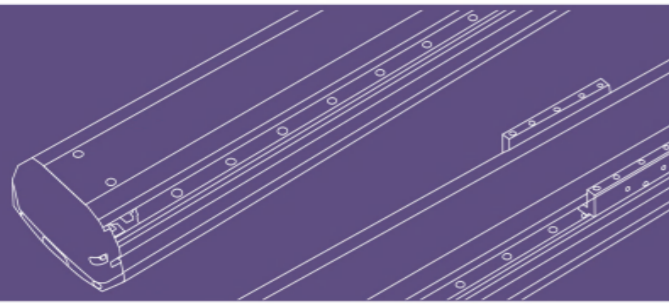
若無煞車則不表示。 If No Brake, No Description.
内置无750W

感應器類型
Sensor type

外置型 out Side	
A	NPN
P	PNP

端點極限感應器
Limit Sensor

外置型 out Side		
2	2只	2 Pc
3	3只	3 Pc
0	無	0 Pc



基本仕様 Specification

規格 Spec	位置重複精度 Repeatability (mm)	±0.01				
	螺桿導程 Ball Screw Lead (mm)	5	10	20	40	
	最高速度 Maximum Speed (mm/s) ※1	250	500	1000	2000	
	最大可搬重量 Maximum Payload	水平使用 Horizontal (kg)	120	120	83	43
		垂直使用 Vertical (kg)	50	40	25	12
	定格推力 Rated Thrust (N)	2563	1281	640	320	
標準行程 Stroke Pitch (mm) ※2	50-1250mm/50 間隔 50 mm Pitch					
部品 Parts	AC 伺服馬達容量 AC Servo Motor Output (W)	750				
	滾珠螺桿外徑 Ball Screw Ø (mm)	C7Ø20				
	高剛性直線滑軌 High Rigidity Linear Guide (mm)	W20XH15				
	連軸器 Coupling (mm)	12X19				
	原點感應器 Home Sensor	外掛 Outside	BC-SX672 (NPN)			

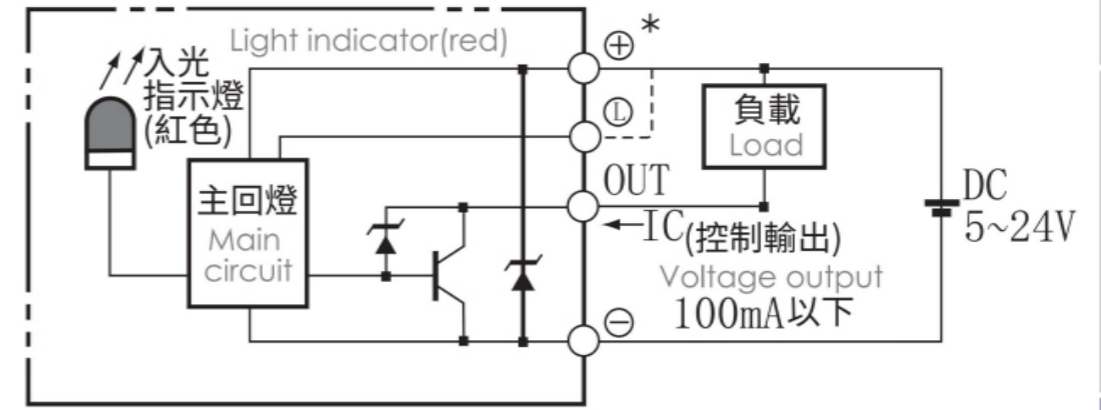
※1 馬達加減速設定 0.2 秒。

Acceleration and deceleration value is set 0.2 second.

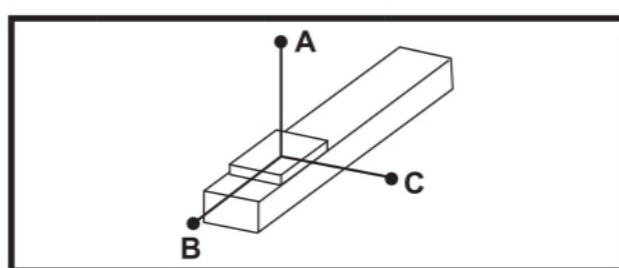
※2 行程超過 850 時，會產生螺桿偏擺，此時請將速度調降。

When the stroke is over 850mm, the run-out of the ballscrew will occur. We recommend to low down the working speed under this circumstances.

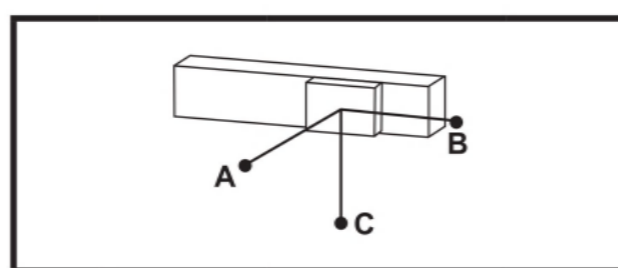
感應器接線圖 < 原點及端點 > Sensor Layout



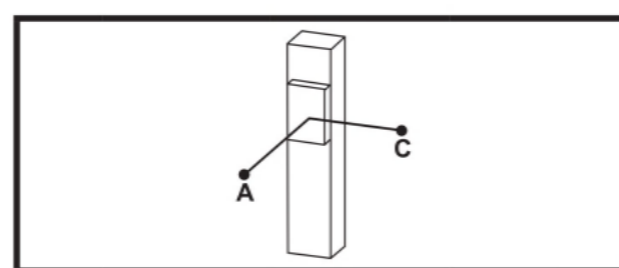
容許負載力距表 Allowable Overhang



(單位 Unit: mm)



(單位 Unit: mm)



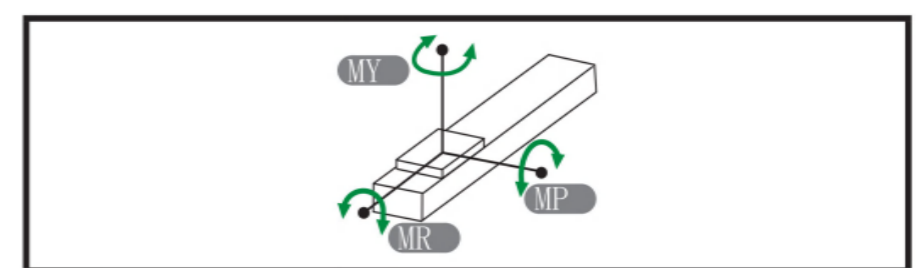
(單位 Unit: mm)

水平安裝 Horizontal Installation		A	B	C
導程 5 Lead	70kg	3235	349	408
	90kg	2482	263	306
	120kg	1861	187	218
導程 10 Lead	65kg	1911	338	373
	85kg	1445	248	276
	120kg	1000	164	182
導程 20 Lead	35kg	1666	547	538
	55kg	1030	331	328
	83kg	654	206	204
導程 40 Lead	15kg	1126	740	577
	22kg	755	491	384
	43kg	366	231	183

壁掛安裝 Wall Installation		A	B	C
導程 5 Lead	75kg	377	322	2988
	95kg	288	246	2333
	120kg	218	187	1850
導程 10 Lead	60kg	408	368	2092
	80kg	296	266	1554
	120kg	182	164	1002
導程 20 Lead	30kg	633	644	1961
	50kg	365	369	1143
	83kg	204	206	656
導程 40 Lead	12kg	729	936	1417
	22kg	384	491	755
	43kg	183	231	366

垂直安裝 Vertical Installation		A	C
導程 5 Lead	20kg	1368	1368
	30kg	911	911
	50kg	546	546
導程 10 Lead	15kg	1618	1618
	25kg	970	970
	40kg	607	607
導程 20 Lead	10kg	1922	1922
	14kg	1377	1377
	25kg	769	769
導程 40 Lead	7kg	1356	1356
	12kg	790	790
	-	-	-

靜態容許負載慣量 Static Loading Moment



(單位 Unit: N.m)

MY	1032
MP	1034
MR	908

* 力距表所表示的數據，代表重心。

The torque value in the chart indicate the center of gravity.

* 符合型錄規範的正常情況下，保證壽命為 10000 公里。

Operation life is 10,000km when the product is using under the specified conditions.

* 倒吊使用無法套用標準規範，如有需求請洽詢我司業務。

Data information is not for ceiling-mount inverse use.

Contact us for the details if you want to apply ceiling-mount inverse usage.

Stroke and Maximum Speed mm/s

Ballscrew Spec		Maximum Speed *1	Stroke Pitch and Maximum Speed *2							
Diameter	Lead		Stroke 100-850	900	950	1000	1050	1100	1150	1200
20	5	250	250	225		200		175		150
	10	500	500	450	400		350		300	
	20	1000	1000	900	800		700		600	
	40	2000	2000	1800	1600		1400		1200	

*1 The maximum speed is based on the maximum speed of the servo motor 3000RPM.

*2 Standard stroke data, representing the maximum dangerous speed that can be used within the stroke, beyond this speed, the ball screw will resonate, resulting in greater noise and reduced ball screw life.

WA17 單軸 / 1axis

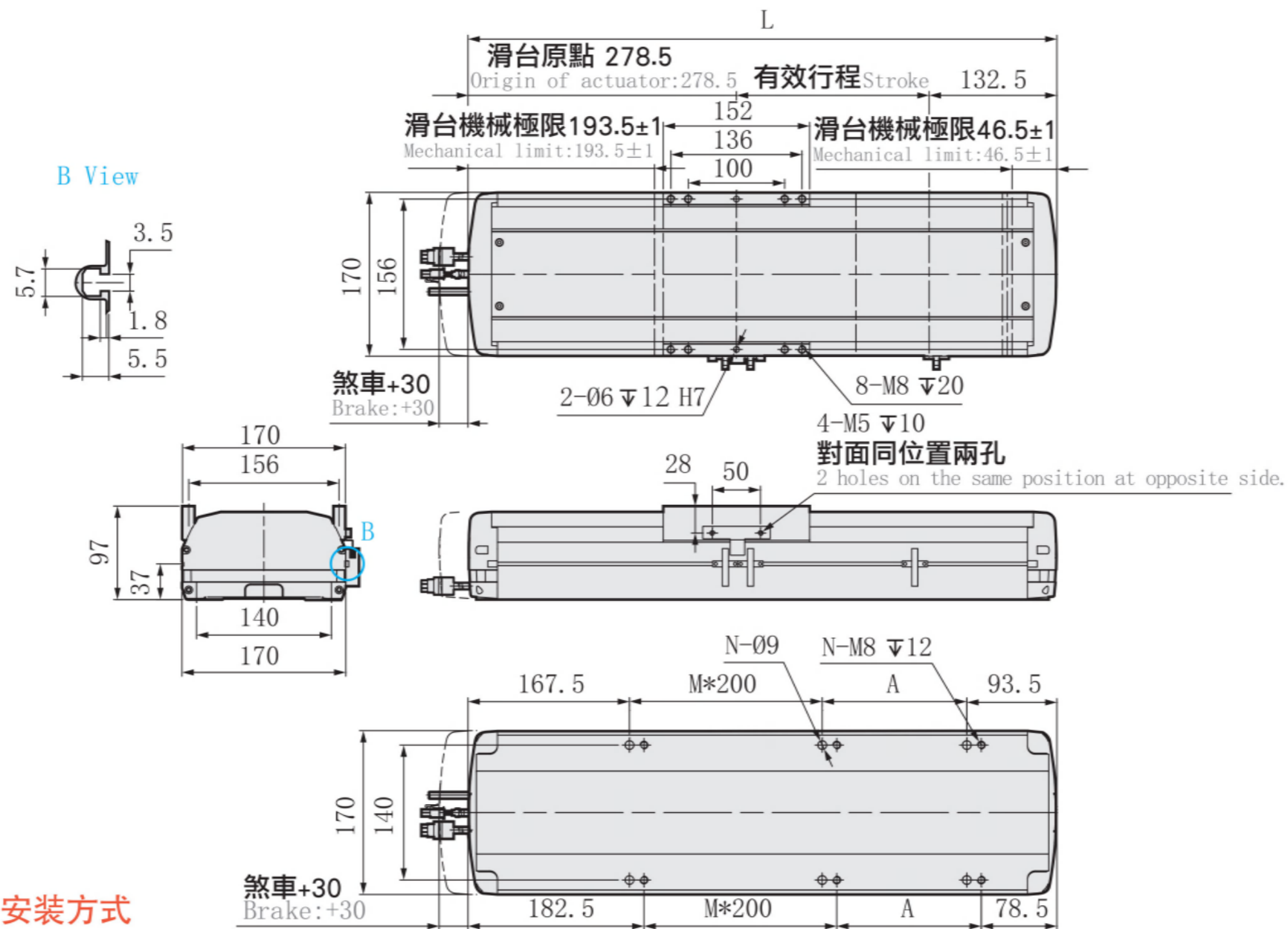
▶ 螺桿驅動
Ball Screw Drive

馬達直結 / 馬達外露

Motor Hidden In / Motor Exposed

M 馬達直結 Motor Hidden In

單位 Unit : mm

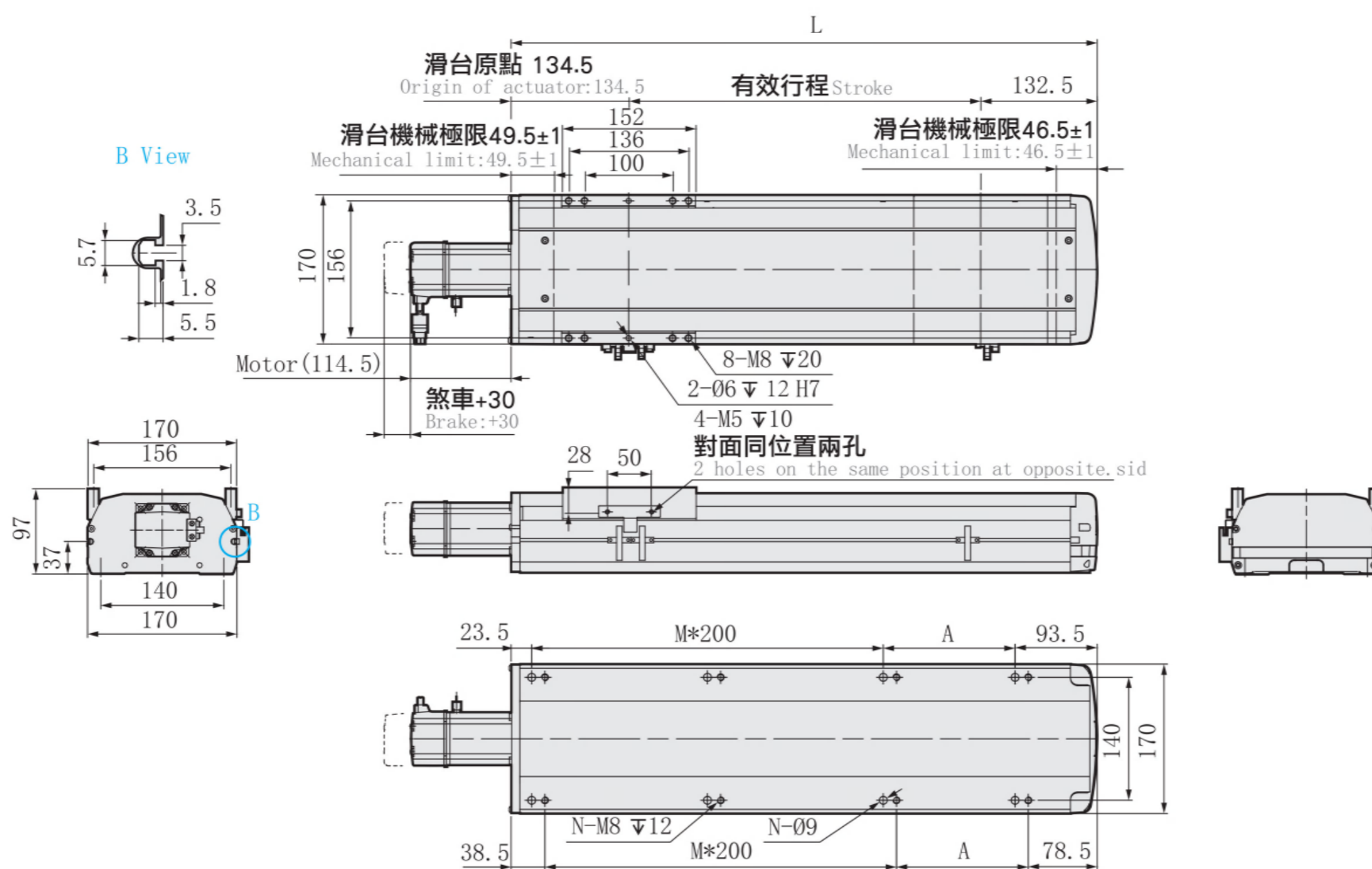


注: 无750w内置安装方式

有效行程 Stroke	50	100	150	200	250	300	350	400	450	500	550	600	650	700	750	800	850	900	950	1000	1050	1100	1150	1200	1250
L	461	511	561	611	661	711	761	811	861	911	961	1011	1061	1111	1161	1211	1261	1311	1361	1411	1461	1511	1561	1611	1661
A	200	50	100	150	200	50	100	150	200	50	100	150	200	50	100	150	200	50	100	150	200	50	100	150	200
M	0	1	1	1	1	2	2	2	2	3	3	3	3	4	4	4	4	5	5	5	5	6	6	6	6
N	4	6	6	6	6	8	8	8	8	10	10	10	10	12	12	12	12	14	14	14	14	16	16	16	16
KG	10.11	10.89	11.67	12.45	13.22	14	14.78	15.55	16.33	17.11	17.88	18.66	19.44	20.22	20.99	21.77	22.55	23.33	24.1	24.88	25.66	26.44	27.21	27.99	28.77

ME 馬達外露 Motor Exposed

單位 Unit : mm



有效行程 Stroke	50	100	150	200	250	300	350	400	450	500	550	600	650	700	750	800	850	900	950	1000	1050	1100	1150	1200	1250
L	317	367	417	467	517	567	617	667	717	767	817	867	917	967	1017	1067	1117	1167	1217	1267	1317	1367	1417	1467	1517
A	200	50	100	150	200	50	100	150	200	50	100	150	200	50	100	150	200	50	100	150	200	50	100	150	200
M	0	1	1	1	1	2	2	2	2	3	3	3	3	4	4	4	4	5	5	5	5	6	6	6	6
N	4	6	6	6	6	8	8	8	8	10	10	10	10	12	12	12	12	14	14	14	14	16	16	16	16
KG	9.61	10.2	10.79	11.57	12.34	13.11	13.88	14.65	15.42	16.19	16.96	17.73	18.5	19.28	20.05	20.82	21.59	22.36	23.13	23.9	24.67	25.44	26.21	26.98	27.75

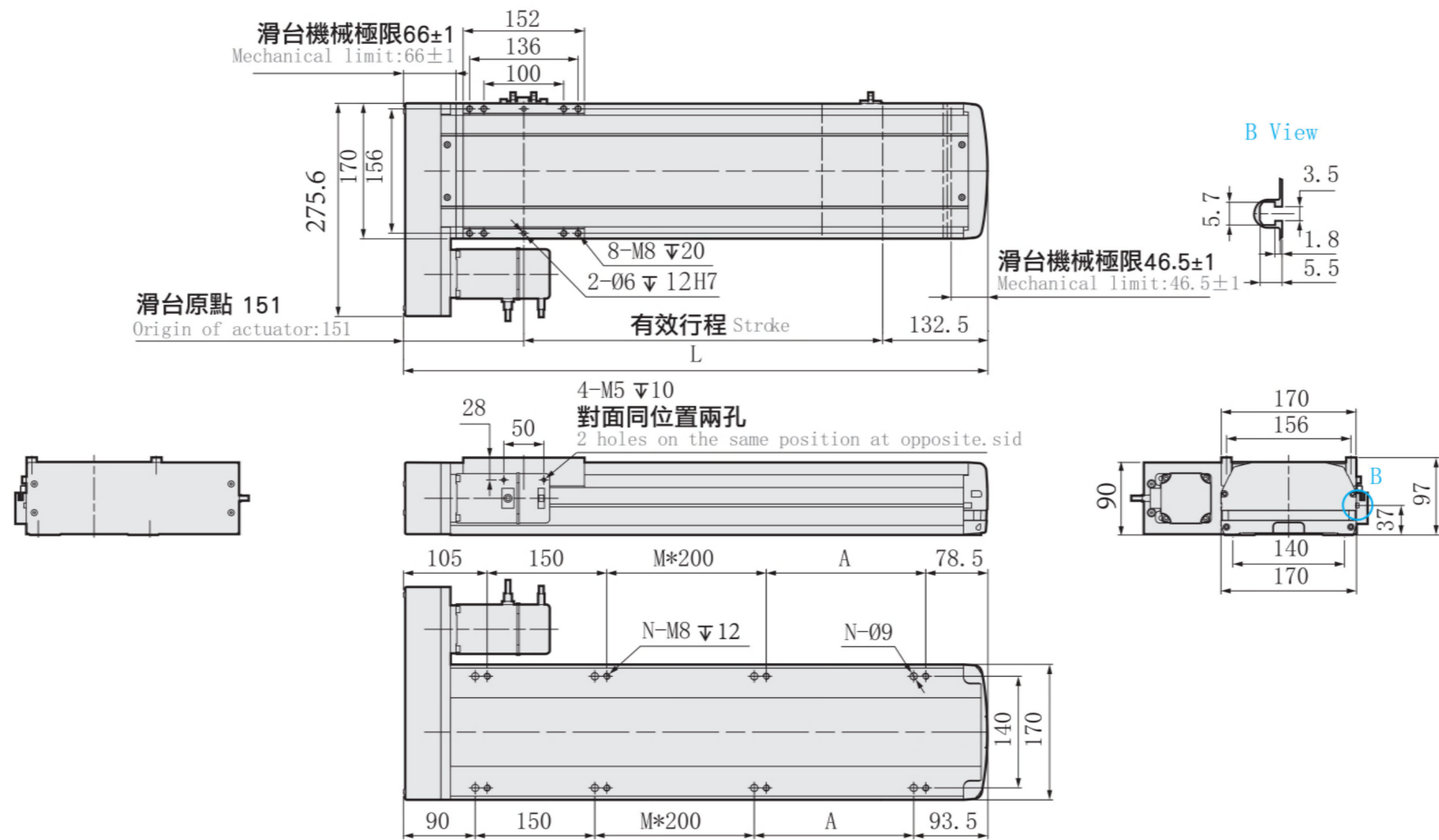


馬達左折 / 馬達右折

Motor Left Side / Motor Right Side

ML 馬達左折 Motor Left Side

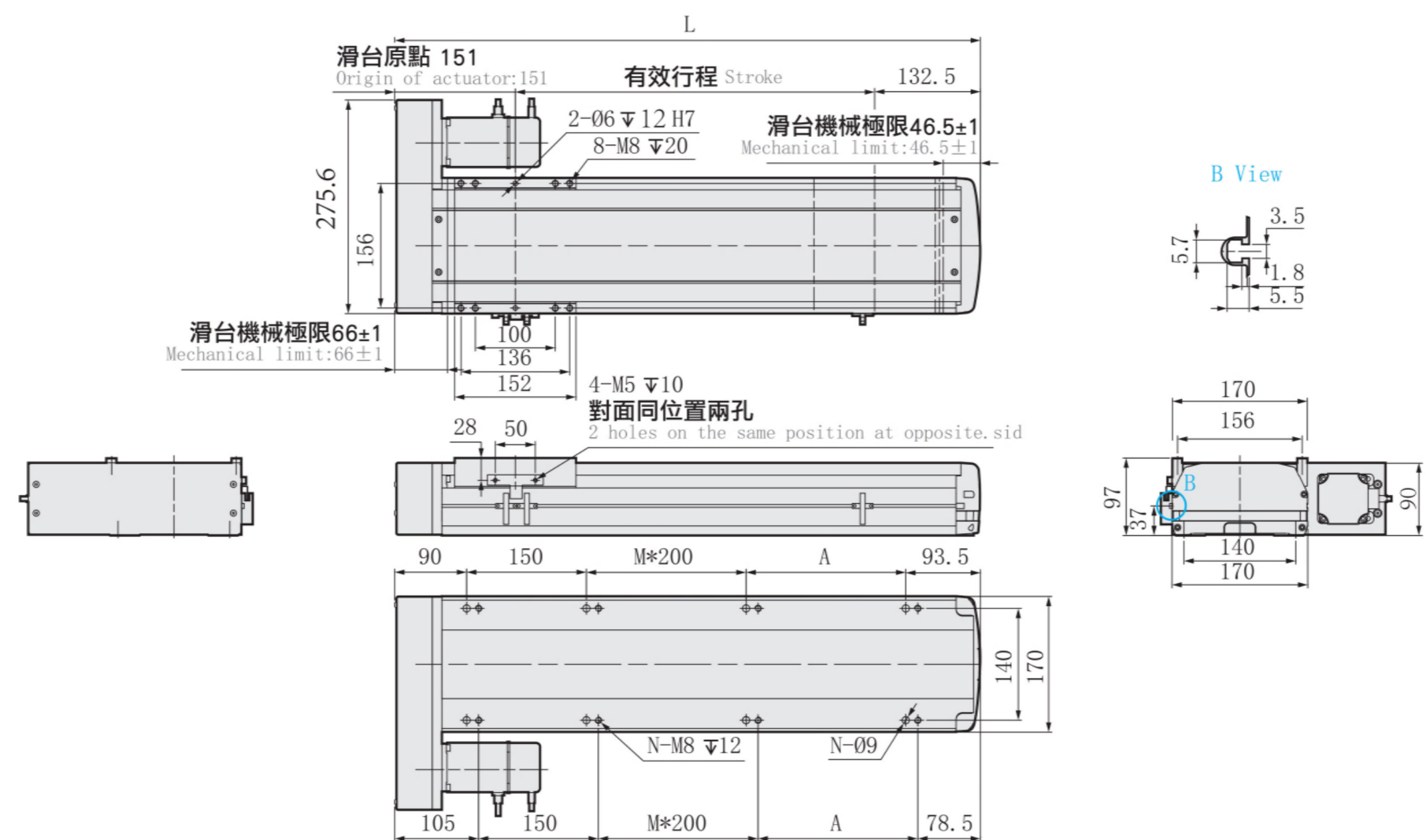
單位 Unit : mm



有效行程 Stroke	50	100	150	200	250	300	350	400	450	500	550	600	650	700	750	800	850	900	950	1000	1050	1100	1150	1200	1250
L	333.5	383.5	433.5	483.5	533.5	583.5	633.5	683.5	733.5	783.5	833.5	883.5	933.5	983.5	1033.5	1083.5	1133.5	1183.5	1233.5	1283.5	1333.5	1383.5	1433.5	1483.5	1533.5
A	0	50	100	150	200	50	100	150	200	50	100	150	200	50	100	150	200	50	100	150	200	50	100	150	200
M	0	0	0	0	0	1	1	1	1	2	2	2	2	3	3	3	3	4	4	4	4	5	5	5	5
N	4	6	6	6	6	8	8	8	8	10	10	10	10	12	12	12	12	14	14	14	14	16	16	16	16
KG	9.53	10.3	11.07	11.84	12.61	13.38	14.15	14.92	15.69	16.47	17.24	18.01	18.78	19.55	20.32	21.09	21.86	22.63	23.4	24.18	24.95	25.72	26.49	27.26	28.03

MR 馬達右折 Motor Right Side

單位 Unit : mm



有效行程 Stroke	50	100	150	200	250	300	350	400	450	500	550	600	650	700	750	800	850	900	950	1000	1050	1100	1150	1200	1250
L	333.5	383.5	433.5	483.5	533.5	583.5	633.5	683.5	733.5	783.5	833.5	883.5	933.5	983.5	1033.5	1083.5	1133.5	1183.5	1233.5	1283.5	1333.5	1383.5	1433.5	1483.5	1533.5
A	0	50	100	150	200	50	100	150	200	50	100	150	200	50	100	150	200	50	100	150	200	50	100	150	200
M	0	0	0	0	0	1	1	1	1	2	2	2	2	3	3	3	3	4	4	4	4	5	5	5	5
N	4	6	6	6	6	8	8	8	8	10	10	10	10	12	12	12	12	14	14	14	14	16	16	16	16
KG	9.53	10.3	11.07	11.84	12.61	13.38	14.15	14.92	15.69	16.47	17.24	18.01	18.78	19.55	20.32	21.09	21.86	22.63	23.4	24.18	24.95	25.72	26.49	27.26	28.03

WA17 單軸 / 1axis

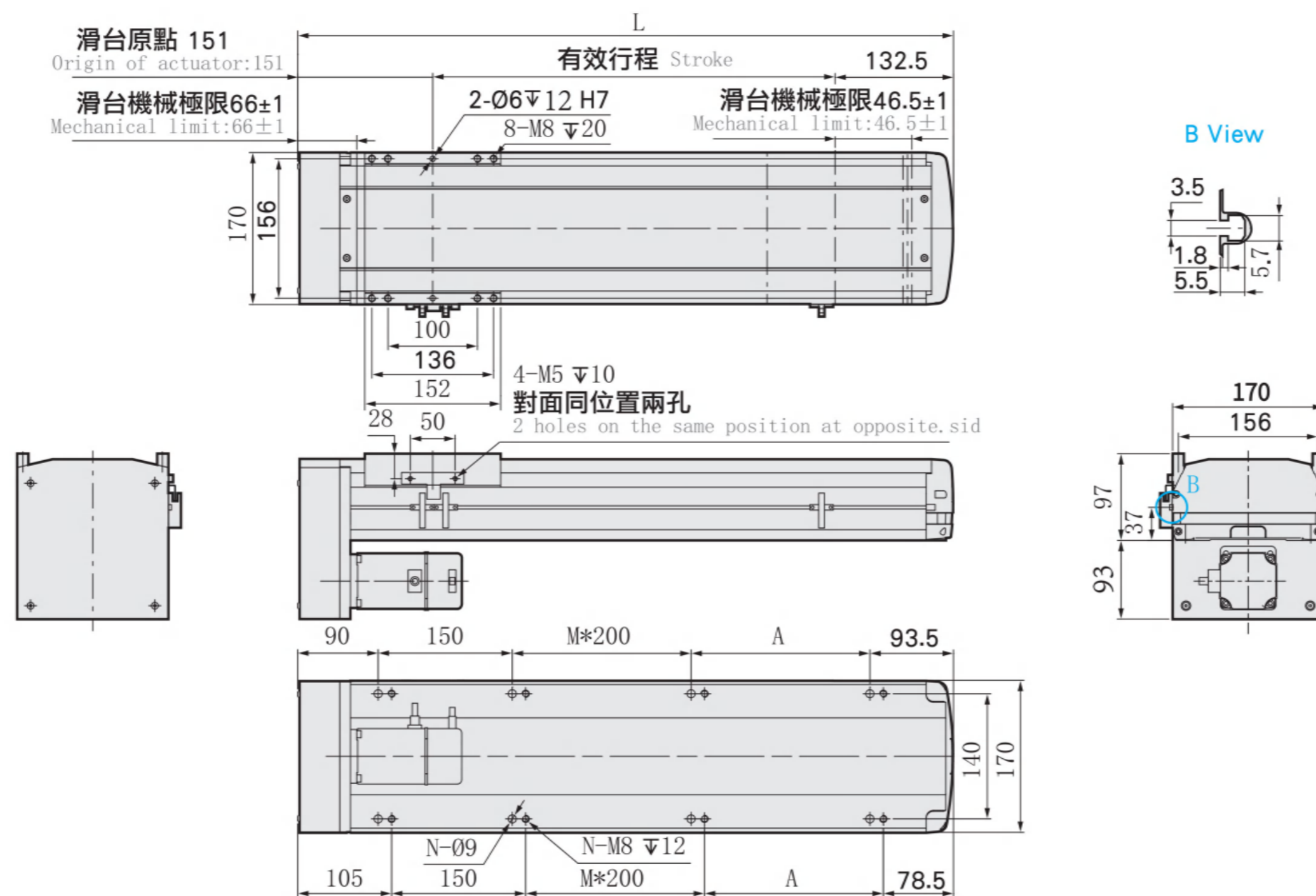
▶ 螺桿驅動
Ball Screw Drive

馬達下折

Motor Bottom Side

MD 馬達下折 Motor Bottom Side

單位 Unit : mm



有效行程 Stroke	50	100	150	200	250	300	350	400	450	500	550	600	650	700	750	800	850	900	950	1000	1050	1100	1150	1200	1250
L	333.5	383.5	433.5	483.5	533.5	583.5	633.5	683.5	733.5	783.5	833.5	883.5	933.5	983.5	1033.5	1083.5	1133.5	1183.5	1233.5	1283.5	1333.5	1383.5	1433.5	1483.5	1533.5
A	0	50	100	150	200	50	100	150	200	50	100	150	200	50	100	150	200	50	100	150	200	50	100	150	200
M	0	0	0	0	0	1	1	1	1	2	2	2	2	3	3	3	3	4	4	4	4	5	5	5	5
N	4	6	6	6	6	8	8	8	8	10	10	10	10	12	12	12	12	14	14	14	14	16	16	16	16
KG	9.53	10.3	11.07	11.84	12.61	13.38	14.15	14.92	15.69	16.47	17.24	18.01	18.78	19.55	20.32	21.09	21.86	22.63	23.4	24.18	24.95	25.72	26.49	27.26	28.03

WA22H 單軸 / 1-axis

▶ 螺桿驅動
Ball Screw Drive



此圖僅供參考，出貨規格詳見尺寸圖面

The picture is just for the reference. Please check the the actual dimensions on the drawing.

最大行程
Maximum Stroke 1250mm

最高速度
Maximum Speed 2000mm/s

馬達容量
Motor output 750W

滾珠螺桿
Ball Screw $\varnothing 25\text{mm}$

直線滑軌
Linear Guide 23×18-2支

型號表示方式 Ordering Method

WA22H - L10 - 100 - M - Y75B - A0 - C - Z

本體型號
Model

行程
Stroke
50-1250mm
50間隔 50 mm Pitch

特注式樣
Customization Order No.
C: $\pm 0.01\text{mm}$
H: $\pm 0.005\text{mm}$
P: $\pm 0.003\text{mm}$

外部注油
External oiling

螺桿導程
Ball Screw Lead

5	5mm
10	10mm
25	25mm
40	40mm

馬達位置
Motor Position

M	馬達直結 Motor Hidden In
ME	馬達外露 Motor Exposed
ML	馬達左折 Motor Left Side
MR	馬達右折 Motor Right Side
MD	馬達下折 Motor Bottom Side

馬達廠牌
Motor Brand

Y	安川/三菱	20	-	B
P	松下	40	-	
H	汇川	75	750W	
B	步进	100	-	

若無煞車則不表示。 If No Brake, No Description.

感應器類型
Sensor type

外置型 out Side	
A	NPN
P	PNP

端點極限感應器
Limit Sensor

外置型 out Side	
2	2只 2 Pc
3	3只 3 Pc
0	無 0 Pc



基本仕様 Specification

規格 Spec	位置重複精度 Repeatability (mm)	±0.01				
	螺桿導程 Ball Screw Lead (mm)	5	10	25	40	
	最高速度 Maximum Speed (mm/s) ※1	250	500	1250	2000	
	最大可搬重量 Maximum Payload	水平使用 Horizontal (kg)	150	150	105	43
		垂直使用 Vertical (kg)	55	45	20	12
	定格推力 Rated Thrust (N)	2563	1281	640	320	
	標準行程 Stroke Pitch (mm) ※2	50-1250mm/50 間隔 50 mm Pitch				
部品 Parts	AC 伺服馬達容量 AC Servo Motor Output (W)	750				
	滾珠螺桿外徑 Ball Screw Ø (mm)	C7025		C7020		
	高剛性直線滑軌 High Rigidity Linear Guide (mm)	W23XH18				
	連軸器 Coupling (mm)	19×17		19x15		
	原點感應器 Home Sensor	外掛 Outside	BC-SX672			

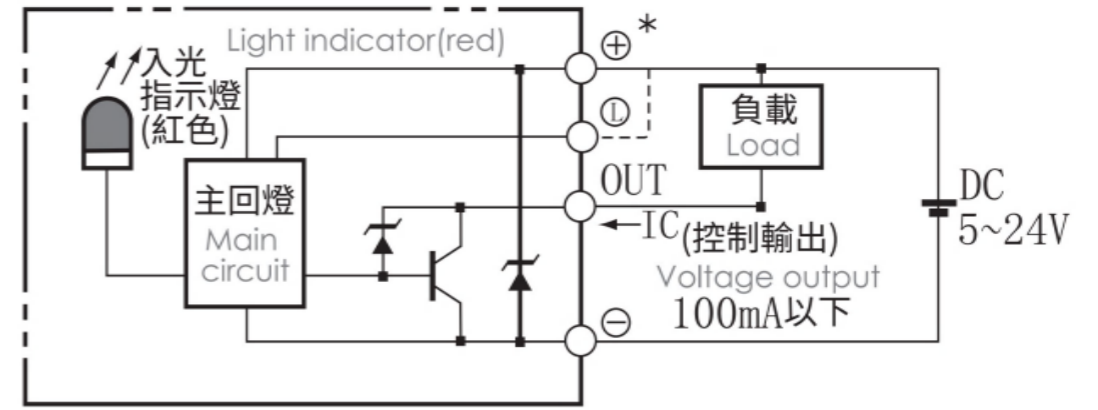
※1 馬達加減速設定 0.2 秒。

Acceleration and deceleration value is set 0.2 second.

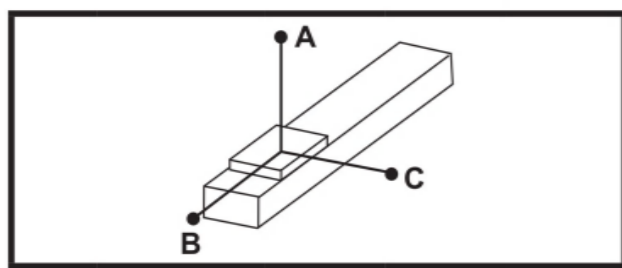
※2 行程超過 900 時，會產生螺桿偏擺，此時請將速度調降。

When the stroke is over 900mm, the run-out of the ballscrew will occur. We recommend to low down the working speed under this circumstances.

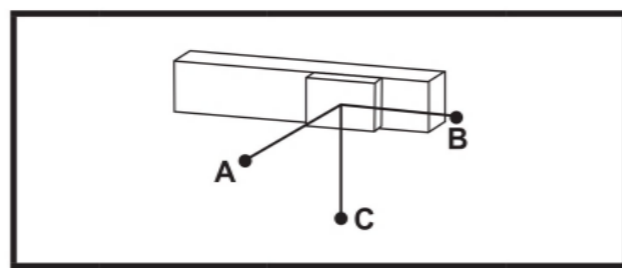
感應器接線圖 < 原點及端點 > Sensor Layout



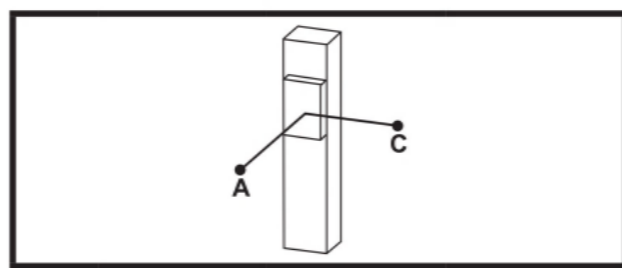
容許負載力距表 Allowable Overhang



(單位 Unit : mm)



(單位 Unit : mm)



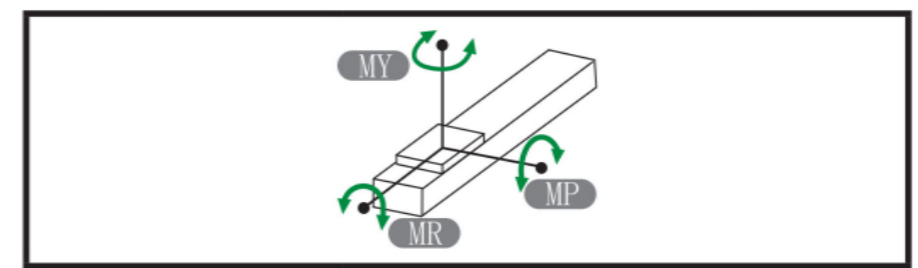
(單位 Unit : mm)

水平安裝 Horizontal Installation	A	B	C
導程 5 Lead	100kg	5000	633
	125kg	3880	491
	150kg	3357	396
導程 10 Lead	100kg	3220	563
	125kg	2554	434
	150kg	2113	349
導程 25 Lead	65kg	1522	614
	85kg	1136	451
	105kg	893	350
導程 40 Lead	18kg	2445	1616
	30kg	1436	938
	43kg	978	630

壁掛安裝 Wall Installation	A	B	C
導程 5 Lead	110kg	500	569
	130kg	412	469
	150kg	347	396
導程 10 Lead	110kg	427	503
	130kg	351	414
	150kg	295	349
導程 25 Lead	70kg	420	564
	90kg	315	420
	105kg	262	350
導程 40 Lead	15kg	1272	1955
	24kg	778	1190
	43kg	412	630

垂直安裝 Vertical Installation	A	C
導程 5 Lead	30kg	2355
	40kg	1768
	55kg	1288
導程 10 Lead	25kg	2505
	35kg	1795
	45kg	1396
導程 25 Lead	15kg	2711
	20kg	2033
	-	-
導程 40 Lead	7kg	3511
	12kg	2055
	-	-

靜態容許負載慣量 Static Loading Moment



(單位 Unit : N.m)

MY	2052
MP	2052
MR	1810

* 力距表所表示的數據，代表重心。

The torque value in the chart indicate the center of gravity.

* 符合型錄規範的正常情況下，保證壽命為 10000 公里。

Operation life is 10,000km when the product is using under the specified conditions.

* 倒吊使用無法套用標準規範，如有需求請洽詢我司業務。

Data information is not for ceiling-mount inverse use. Contact us for the details if you want to apply ceiling-mount inverse usage.

Stroke and Maximum Speed mm/s

Ballscrew Spec	Maximum Speed	Stroke Pitch and Maximum Speed *2													
		Stroke 100-900	950	1000	1050	1100	1150	1200	1250	1300	1350	1400	1450	1500	
25	5	250	250	225	200	175	150	125	100						
	10	500	500	450	400	350	300	250	200						
	25	1250	1250	1125	1000	875	750	625	500						
20	40	2000	2000	1800	1400	1200	1000	800	600						

*1 The maximum speed is based on the maximum speed of the servo motor 3000RPM.

*2 Standard stroke data, representing the maximum dangerous speed that can be used within the stroke, beyond this speed, the ball screw will resonate, resulting in greater noise and reduced ball screw life.

WA22H 單軸 / 1axis

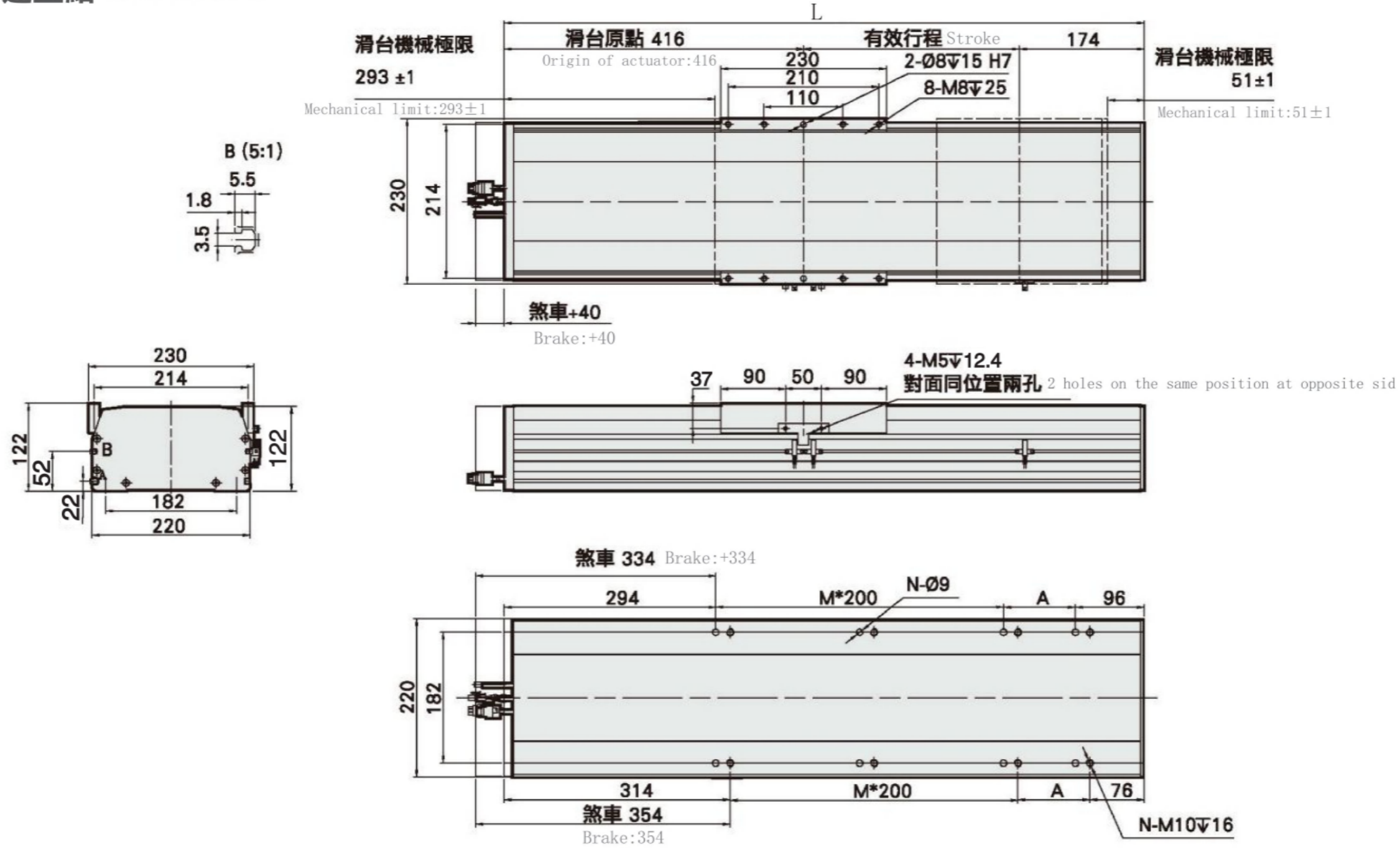
▶ 螺桿驅動
Ball Screw Drive

馬達直結 / 馬達外露

Motor Hidden In / Motor Exposed

M 馬達直結 Motor Hidden In

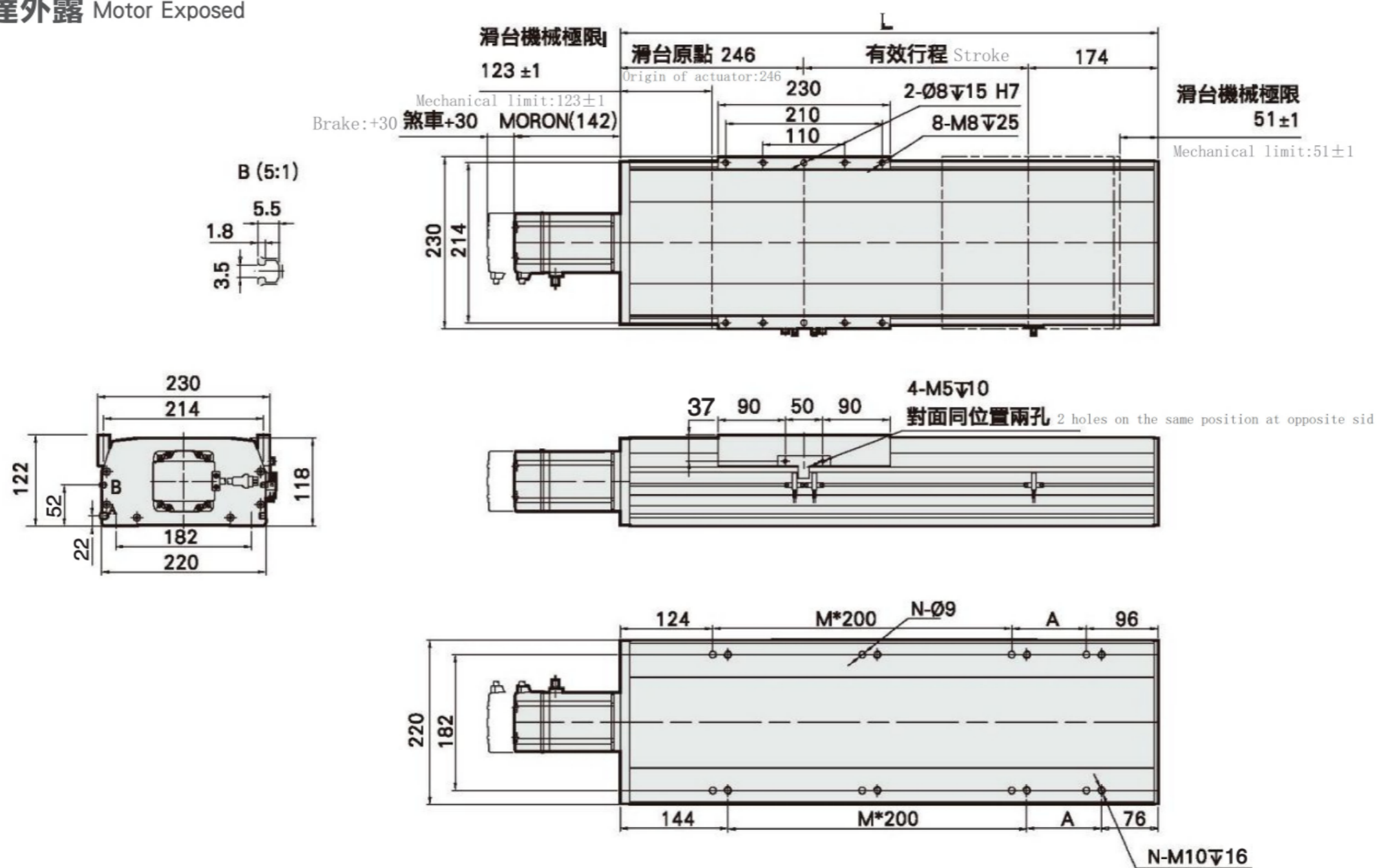
單位 Unit: mm



有效行程 Stroke	100	150	200	250	300	350	400	450	500	550	600	650	700	750	800	850	900	950	1000	1050	1100	1150	1200	1250
L	690	740	790	840	890	940	990	1040	1090	1140	1190	1240	1290	1340	1390	1440	1490	1540	1590	1640	1690	1740	1790	1840
A	100	150	200	50	100	150	200	50	100	150	200	50	100	150	200	50	100	150	200	50	100	150	200	50
M	1	1	1	2	2	2	2	3	3	3	3	4	4	4	4	5	5	5	5	6	6	6	6	7
N	6	6	6	8	8	8	8	10	10	10	10	12	12	12	12	14	14	14	14	16	16	16	16	18
KG	29.32	30.79	32.26	33.73	35.2	36.67	38.14	39.61	41.08	42.55	44.02	45.49	46.96	48.43	49.9	51.37	52.84	54.31	55.78	57.25	58.72	60.19	61.66	63.13

ME 馬達外露 Motor Exposed

單位 Unit: mm



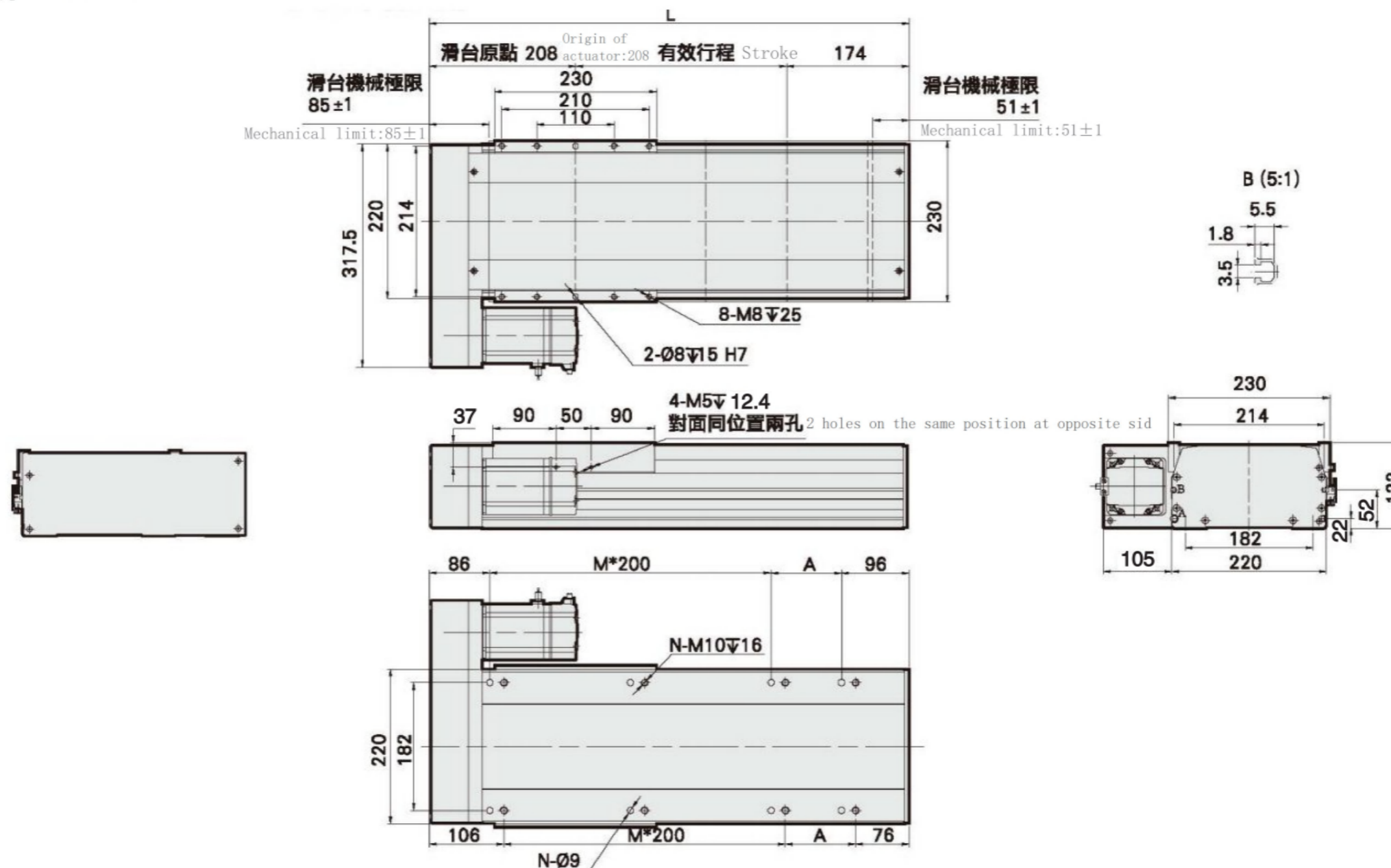
有效行程 Stroke	100	150	200	250	300	350	400	450	500	550	600	650	700	750	800	850	900	950	1000	1050	1100	1150	1200	1250
L	520	570	620	670	720	770	820	870	920	970	1020	1070	1120	1170	1220	1270	1320	1370	1420	1470	1520	1570	1620	1670
A	100	150	200	50	100	150	200	50	100	150	200	50	100	150	200	50	100	150	200	50	100	150	200	50
M	1	1	1	2	2	2	2	3	3	3	3	4	4	4	4	5	5	5	5	6	6	6	6	7
N	6	6	6	8	8	8	8	10	10	10	10	12	12	12	12	14	14	14	14	16	16	16	16	18
KG	26.86	28.32	29.78	31.24	32.7	34.16	35.62	37.08	38.54	40	41.46	42.92	44.38	45.84	47.3	48.76	50.22	51.68	53.14	54.6	56.06	57.52	58.98	60.44



馬達左折 / 馬達右折 Motor Left Side / Motor Right Side

ML 馬達左折 Motor Left Side

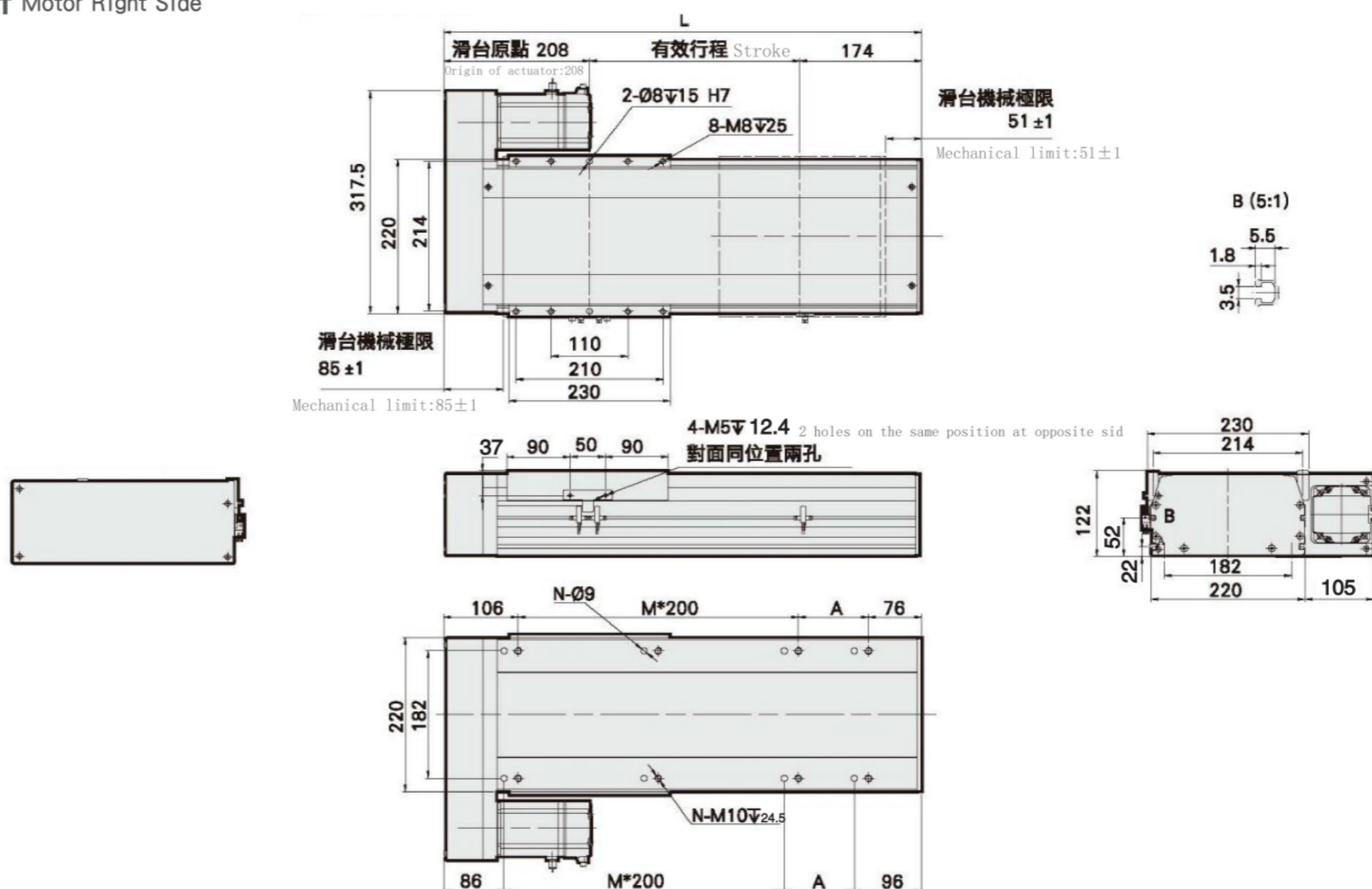
單位 Unit : mm



有效行程 Stroke	100	150	200	250	300	350	400	450	500	550	600	650	700	750	800	850	900	950	1000	1050	1100	1150	1200	1250
L	482	532	582	632	682	732	782	832	882	932	982	1032	1082	1132	1182	1232	1282	1332	1382	1432	1482	1532	1582	1632
A	100	150	200	50	100	150	200	50	100	150	200	50	100	150	200	50	100	150	200	50	100	150	200	50
M	1	1	1	2	2	2	2	3	3	3	3	4	4	4	4	4	5	5	5	6	6	6	6	7
N	6	6	6	8	8	8	8	10	10	10	10	12	12	12	12	14	14	14	14	16	16	16	16	18
KG	25.66	27.12	28.58	30.04	31.5	32.96	34.42	35.88	37.34	38.8	40.26	41.72	43.18	44.64	46.1	47.56	49.02	50.48	51.94	53.4	54.86	56.32	57.78	59.24

MR 馬達右折 Motor Right Side

單位 Unit : mm



有效行程 Stroke	100	150	200	250	300	350	400	450	500	550	600	650	700	750	800	850	900	950	1000	1050	1100	1150	1200	1250
L	482	532	582	632	682	732	782	832	882	932	982	1032	1082	1132	1182	1232	1282	1332	1382	1432	1482	1532	1582	1632
A	100	150	200	50	100	150	200	50	100	150	200	50	100	150	200	50	100	150	200	50	100	150	200	50
M	1	1	1	2	2	2	2	3	3	3	3	4	4	4	4	4	5	5	5	6	6	6	6	7
N	6	6	6	8	8	8	8	10	10	10	10	12	12	12	12	14	14	14	14	16	16	16	16	18
KG	25.66	27.12	28.58	30.04	31.5	32.96	34.42	35.88	37.34	38.8	40.26	41.72	43.18	44.64	46.1	47.56	49.02	50.48	51.94	53.4	54.86	56.32	57.78	59.24

WA22H 單軸 / 1axis

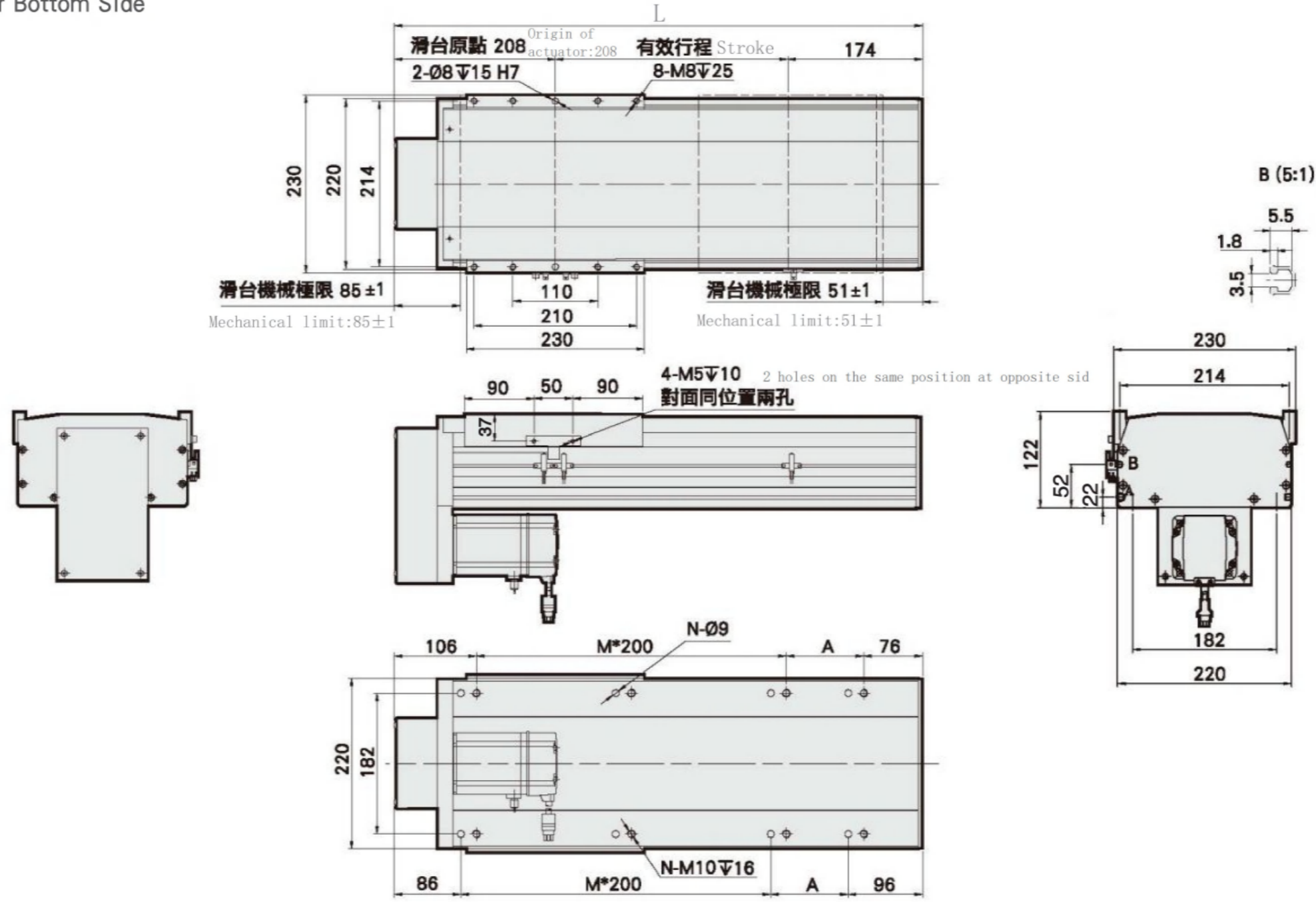
▶ 螺桿驅動
Ball Screw Drive

馬達下折

Motor Bottom Side

MD 馬達下折 Motor Bottom Side

單位 Unit : mm



有效行程 Stroke	100	150	200	250	300	350	400	450	500	550	600	650	700	750	800	850	900	950	1000	1050	1100	1150	1200	1250
L	482	532	582	632	682	732	782	832	882	932	982	1032	1082	1132	1182	1232	1282	1332	1382	1432	1482	1532	1582	1632
A	100	150	200	50	100	150	200	50	100	150	200	50	100	150	200	50	100	150	200	50	100	150	200	50
M	1	1	1	2	2	2	2	3	3	3	3	4	4	4	4	4	5	5	5	6	6	6	6	7
N	6	6	6	8	8	8	8	10	10	10	10	12	12	12	14	14	14	14	14	16	16	16	16	18
KG	25.66	27.12	28.58	30.04	31.5	32.96	34.42	35.88	37.34	38.8	40.26	41.72	43.18	44.64	46.1	47.56	49.02	50.48	51.94	53.4	54.86	56.32	57.78	59.24

WA17M 單軸 / 1-axis

▶ 長行程 ▶ 螺桿驅動
Long Stroke ▶ Ball Screw Drive



此圖僅供參考，出貨規格詳見尺寸圖面
The picture is just for the reference. Please check the the actual dimensions on the drawing.

最大行程 2200mm
Maximum Stroke

最高速度 1280mm/s
Maximum Speed

* 馬達最高轉速：2400rpm。
*Maximum motor speed: 2400rpm.

馬達容量 750W
Motor output

滾珠螺桿 ϕ 16mm
Ball Screw

直線滑軌 15X12.5-2 支
Linear Guide

型號表示方式 Ordering Method

WA17M - L10-1100- ME - Y75B - A3 - C

本體型號
Model

行程
Stroke
1100-2200mm
50間隔 50 mm Pitch

特注式樣
Customization Order No.
C: \pm 0.01

螺桿導程
Ball Screw Lead

5	5mm
10	10mm
20	20mm
32	32mm

馬達位置
Motor Position

M	馬達直結 Motor Hidden In
ME	馬達外露 Motor Exposed
ML	馬達左折 Motor Left Side
MR	馬達右折 Motor Right Side
MD	馬達下折 Motor Bottom Side

馬達廠牌
Motor Brand

Y	安川/三菱	20	-	B
P	松下	40	400W	
H	汇川	75	750W	
B	步进	100	-	

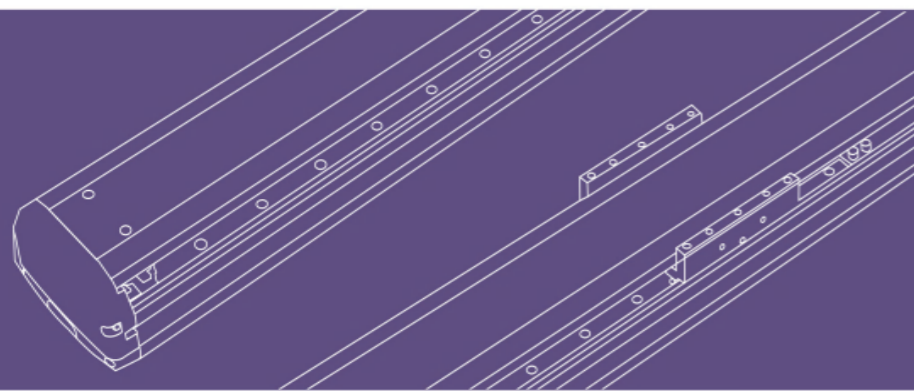
*若無煞車則不表示 * If No Brake, No Description.
內置無750W

感應器類型
Sensor type

外置型 out Side	
A	NPN
P	PNP

端點極限感應器
Limit Sensor

外置型 out Side		
2	2只	2 Pc
3	3只	3 Pc
0	無	0 Pc

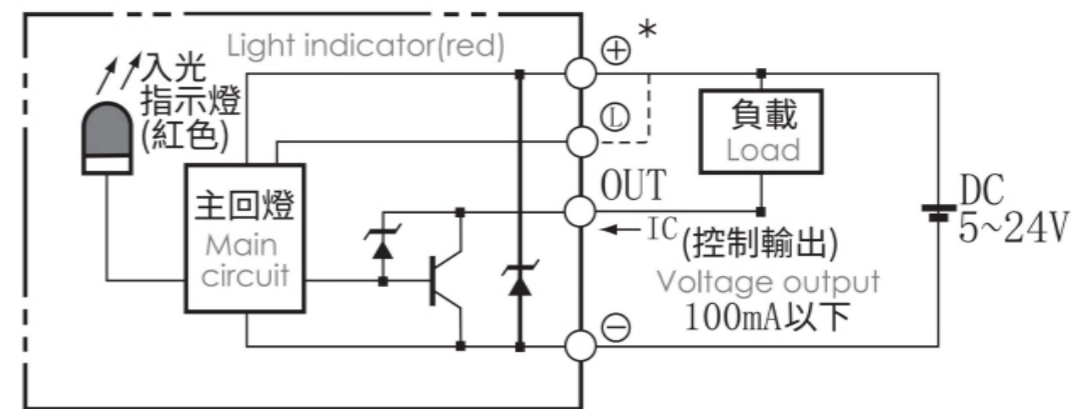


基本仕様 Specification

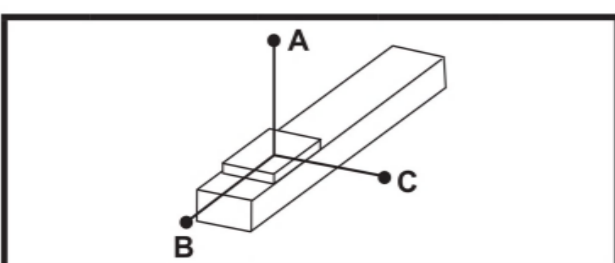
規格 Spec	位置重複精度 Repeatability (mm)	±0.01				
	螺桿導程 Ball Screw Lead (mm)	5	10	20	32	
	最高速度 Maximum Speed (mm/s) ※1	200	400	800	1280	
	最大可搬重量 Maximum Payload	水平使用 Horizontal (kg)	120	95	50	35
		垂直使用 Vertical (kg)	40	25	15	12
	定格推力 Rated Thrust (N)	2563	1281	640	400	
	標準行程 Stroke Pitch (mm) ※2	1100-2200mm/50 間隔 50 mm Pitch				
部品 Parts	AC 伺服馬達容量 AC Servo Motor Output (W) ※3	750				
	滾珠螺桿外徑 Ball Screw Ø (mm)	C7Ø16				
	高剛性直線滑軌 High Rigidity Linear Guide (mm)	W15XH12.5				
	連軸器 Coupling (mm)	10X19				
	原點感應器 Home Sensor	外掛 Outside	BC-SX672 (NPN)			

※1 馬達加減速設定 0.2 秒。
Acceleration and deceleration value is set 0.2 second.
※2 行程超過 1600 時，會產生螺桿偏擺，此時請將速度調降。
When the stroke is over 1600mm, the run-out of the ballscrew will occur. We recommend to low down the working speed under this circumstances.
※3 馬達最高轉速：2400rpm。Maximum motor speed: 2400rpm.

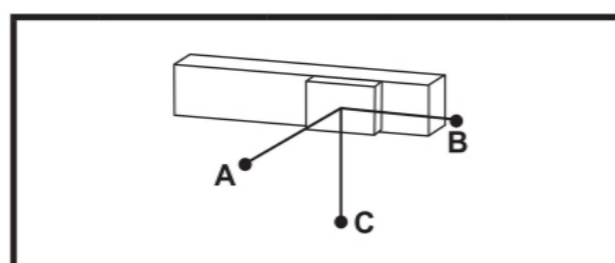
感應器接線圖 < 原點及端點 > Sensor Layout



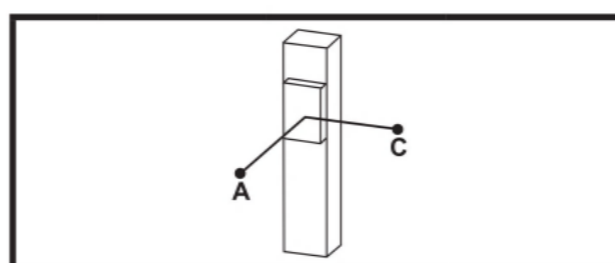
容許負載力距表 Allowable Overhang



(單位 Unit: mm)



(單位 Unit: mm)



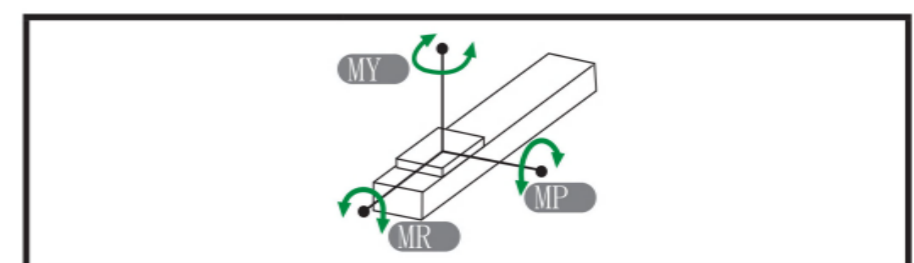
(單位 Unit: mm)

水平安裝 Horizontal Installation		A	B	C
導程 5 Lead	70kg	2092	162	208
	90kg	1555	117	149
	120kg	1080	78	100
導程 10 Lead	60kg	1107	172	208
	75kg	848	130	156
	95kg	637	94	114
導程 20 Lead	20kg	1498	491	520
	30kg	973	313	334
	50kg	550	172	182
導程 32 Lead	10kg	1311	692	625
	20kg	633	326	295
	35kg	339	169	156

壁掛安裝 Wall Installation		A	B	C
導程 5 Lead	75kg	190	148	1911
	95kg	140	108	1450
	120kg	100	78	1080
導程 10 Lead	65kg	188	156	1008
	80kg	144	119	788
	95kg	114	94	637
導程 20 Lead	25kg	408	382	1180
	35kg	280	262	825
	50kg	182	172	550
導程 32 Lead	15kg	408	449	860
	25kg	230	252	495
	35kg	156	169	339

垂直安裝 Vertical Installation		A	C
導程 5 Lead	15kg	940	940
	22kg	640	640
	40kg	350	350
導程 10 Lead	10kg	1248	1248
	14kg	894	894
	25kg	499	499
導程 20 Lead	7kg	1417	1417
	10kg	993	993
	15kg	660	660
導程 32 Lead	5kg	1255	1255
	8kg	785	785
	12kg	525	525

靜態容許負載慣量 Static Loading Moment



(單位 Unit: N.m)

MY	552
MP	552
MR	638

* 力距表所表示的數據，代表重心。
The torque value in the chart indicate the center of gravity.
* 符合型錄規範的正常情況下，保證壽命為 10000 公里。
Operation life is 10,000km when the product is using under the specified conditions.
* 倒吊使用無法套用標準規範，如有需求請洽詢我業務。
Data information is not for ceiling-mount inverse use.
Contact us for the details if you want to apply ceiling-mount inverse usage.

Stroke and Maximum Speed mm/s

Ballscrew Spec	Maximum Speed	Stroke Pitch and Maximum Speed *2													
		Stroke 1100-1600	1650	1700	1750	1800	1850	1900	1950	2000	2050	2100	2150	2200	
16	5	200	200	175				150				125			
	10	400	400	350				300				250			
	20	800	800	700				600				500			
	32	1280	1280	1120				960				800			

*1 The maximum speed is based on the maximum speed of the servo motor 2400RPM.
*2 Standard stroke data, representing the maximum dangerous speed that can be used within the stroke, beyond this speed, the ball screw will resonate, resulting in greater noise and reduced ball screw life.

WA17M 單軸 / 1axis

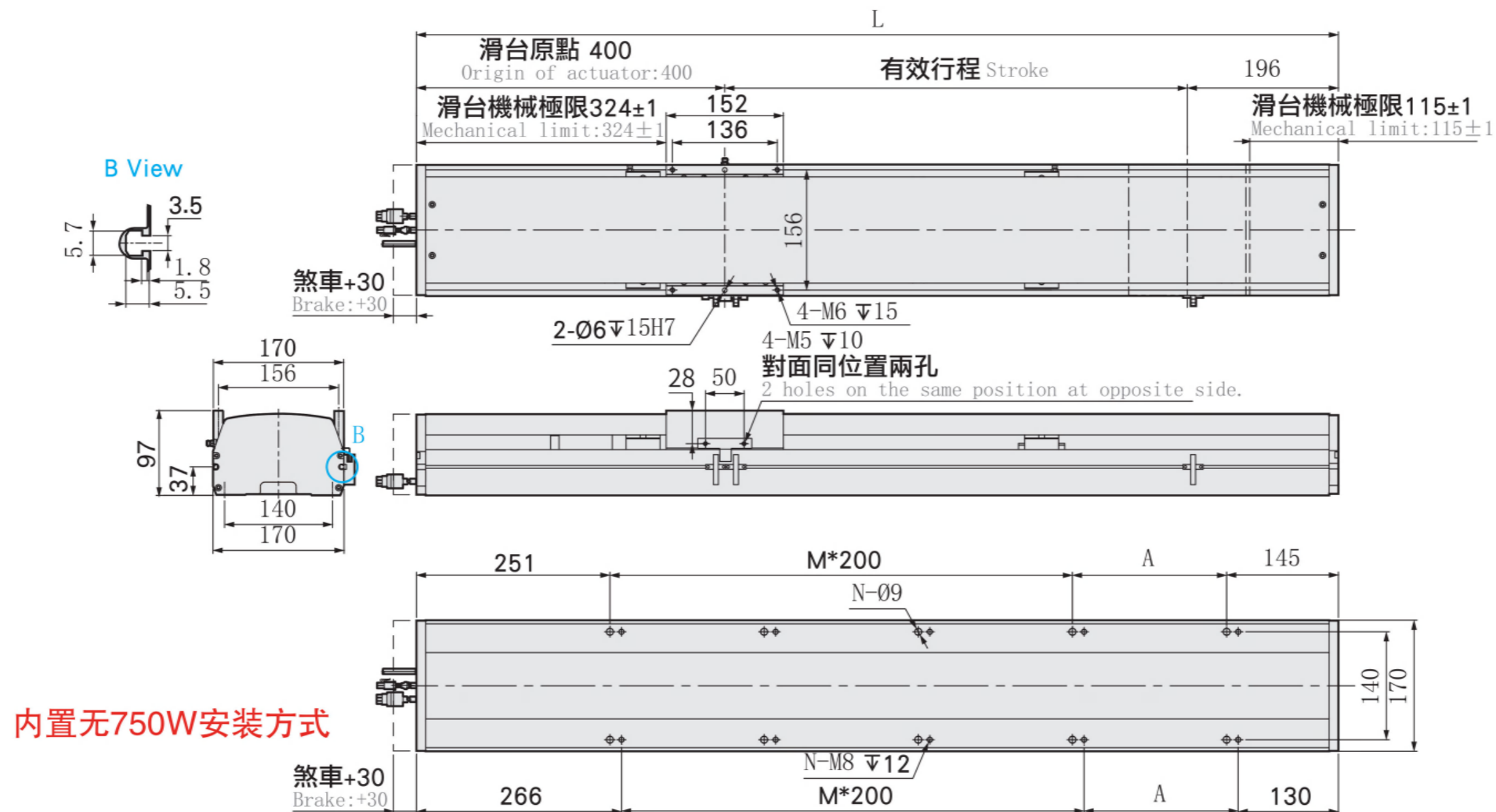
▶ 長行程 ▶ 螺桿驅動
Long Stroke ▶ Ball Screw Drive

馬達直結 / 馬達外露

Motor Hidden In / Motor Exposed

M 馬達直結 Motor Hidden In

單位 Unit : mm

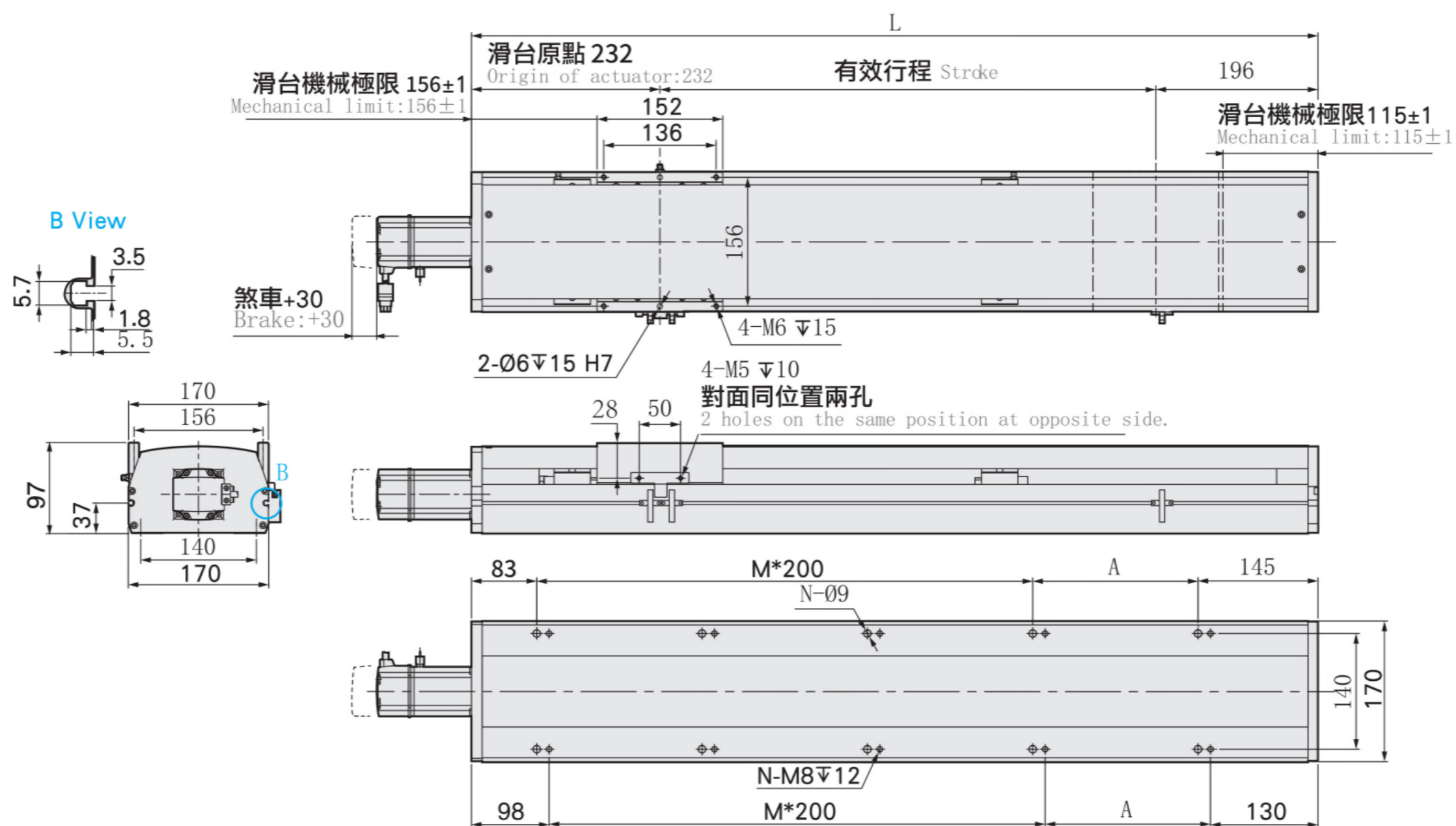


內置无750W安裝方式

有效行程 Stroke	1100	1150	1200	1250	1300	1350	1400	1450	1500	1550	1600	1650	1700	1750	1800	1850	1900	1950	2000	2050	2100	2150	2200
L	1696	1746	1796	1846	1896	1946	1996	2046	2096	2146	2196	2246	2296	2346	2396	2446	2496	2546	2596	2646	2696	2746	2796
A	100	150	200	50	100	150	200	50	100	150	200	50	100	150	200	50	100	150	200	50	100	150	200
M	6	6	6	7	7	7	7	8	8	8	8	9	9	9	10	10	10	10	10	11	11	11	11
N	16	16	16	18	18	18	18	20	20	20	20	22	22	22	22	24	24	24	24	26	26	26	26
KG	33.96	34.64	35.32	36	36.68	37.36	38.04	38.72	39.4	40.08	40.76	41.44	42.12	42.8	43.48	44.16	44.84	45.52	46.2	46.88	47.56	48.24	48.92

ME 馬達外露 Motor Exposed

單位 Unit : mm



有效行程 Stroke	1100	1150	1200	1250	1300	1350	1400	1450	1500	1550	1600	1650	1700	1750	1800	1850	1900	1950	2000	2050	2100	2150	2200
L	1528	1578	1628	1678	1728	1778	1828	1878	1928	1978	2028	2078	2128	2178	2228	2278	2328	2378	2428	2478	2528	2578	2628
A	100	150	200	50	100	150	200	50	100	150	200	50	100	150	200	50	100	150	200	50	100	150	200
M	6	6	6	7	7	7	7	8	8	8	8	9	9	9	9	10	10	10	10	11	11	11	11
N	16	16	16	18	18	18	18	20	20	20	20	22	22	22	22	24	24	24	24	26	26	26	26
KG	33.82	34.5	35.18	35.86	36.54	37.22	37.9	38.58	39.26	39.94	40.62	41.3	41.98	42.66	43.34	44.02	44.7	45.38	46.06	46.74	47.42	48.1	48.78

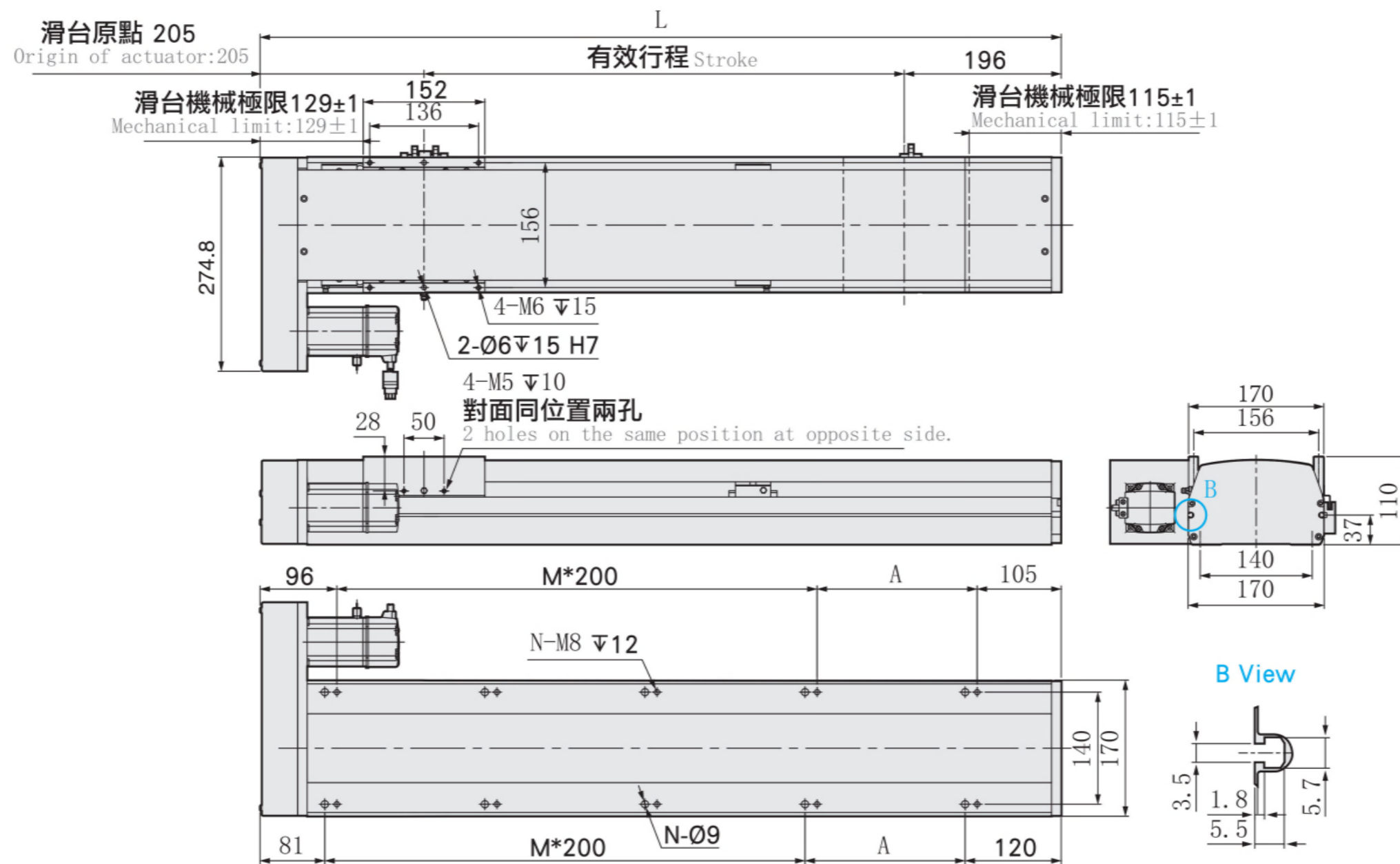


馬達左折 / 馬達右折

Motor Left Side / Motor Right Side

ML 馬達左折 Motor Left Side

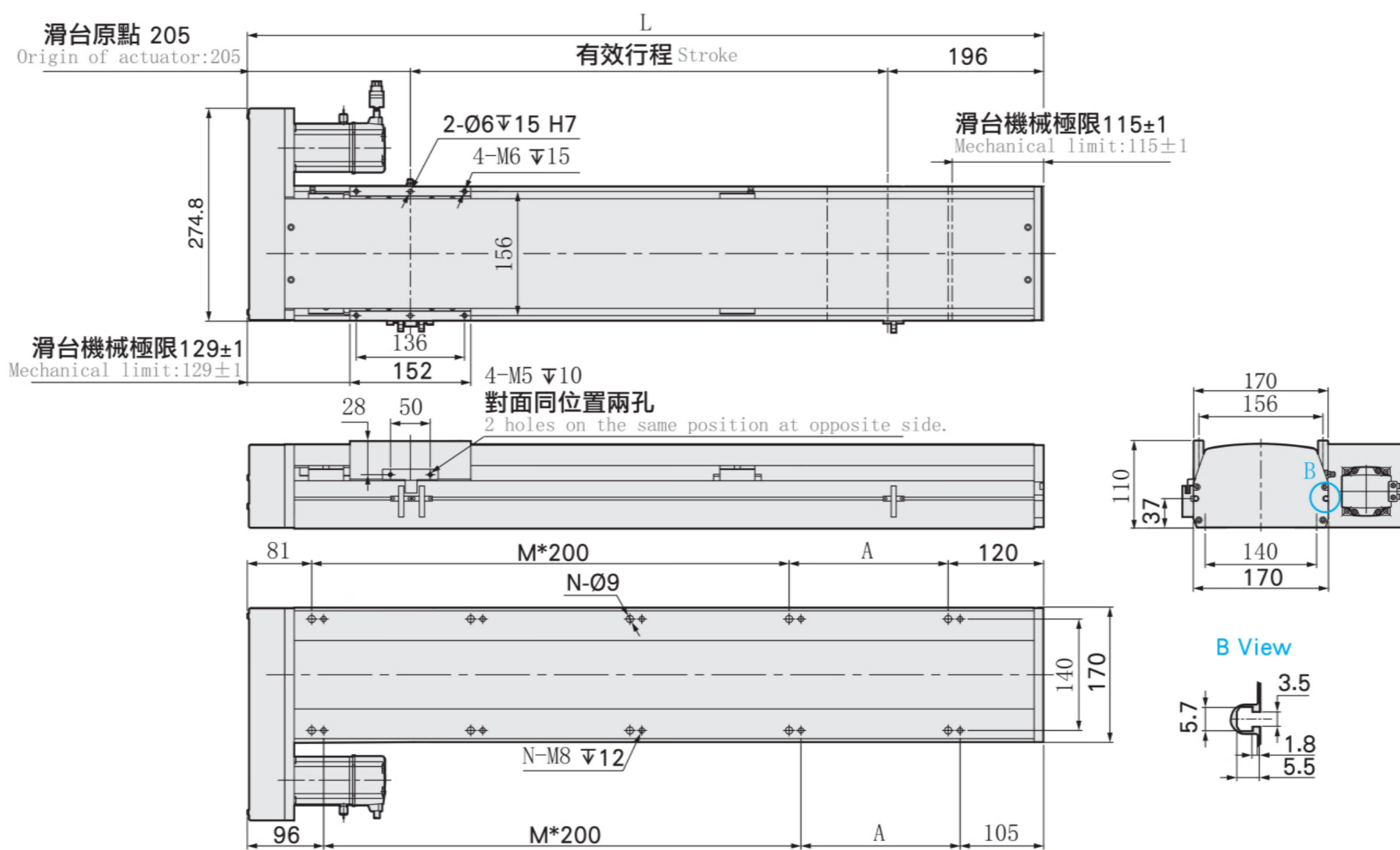
單位 Unit : mm



有效行程 Stroke	1100	1150	1200	1250	1300	1350	1400	1450	1500	1550	1600	1650	1700	1750	1800	1850	1900	1950	2000	2050	2100	2150	2200
L	1501	1551	1601	1651	1701	1751	1801	1851	1901	1951	2001	2051	2101	2151	2201	2251	2301	2351	2401	2451	2501	2551	2601
A	100	150	200	50	100	150	200	50	100	150	200	50	100	150	200	50	100	150	200	50	100	150	200
M	6	6	6	7	7	7	7	8	8	8	8	9	9	9	9	10	10	10	10	11	11	11	11
N	16	16	16	18	18	18	18	20	20	20	20	22	22	22	22	24	24	24	24	26	26	26	26
KG	34.69	35.37	36.05	36.73	37.41	38.09	38.77	39.45	40.13	40.81	41.49	42.17	42.85	43.53	44.21	44.89	45.57	46.25	46.93	47.61	48.29	48.97	49.65

MR 馬達右折 Motor Right Side

單位 Unit : mm



有效行程 Stroke	1100	1150	1200	1250	1300	1350	1400	1450	1500	1550	1600	1650	1700	1750	1800	1850	1900	1950	2000	2050	2100	2150	2200
L	1501	1551	1601	1651	1701	1751	1801	1851	1901	1951	2001	2051	2101	2151	2201	2251	2301	2351	2401	2451	2501	2551	2601
A	100	150	200	50	100	150	200	50	100	150	200	50	100	150	200	50	100	150	200	50	100	150	200
M	6	6	6	7	7	7	7	8	8	8	8	9	9	9	9	10	10	10	10	11	11	11	11
N	16	16	16	18	18	18	18	20	20	20	20	22	22	22	22	24	24	24	24	26	26	26	26
KG	34.69	35.37	36.05	36.73	37.41	38.09	38.77	39.45	40.13	40.81	41.49	42.17	42.85	43.53	44.21	44.89	45.57	46.25	46.93	47.61	48.29	48.97	49.65

WA17M 單軸 / 1axis

▶ 長行程 ▶
Long Stroke

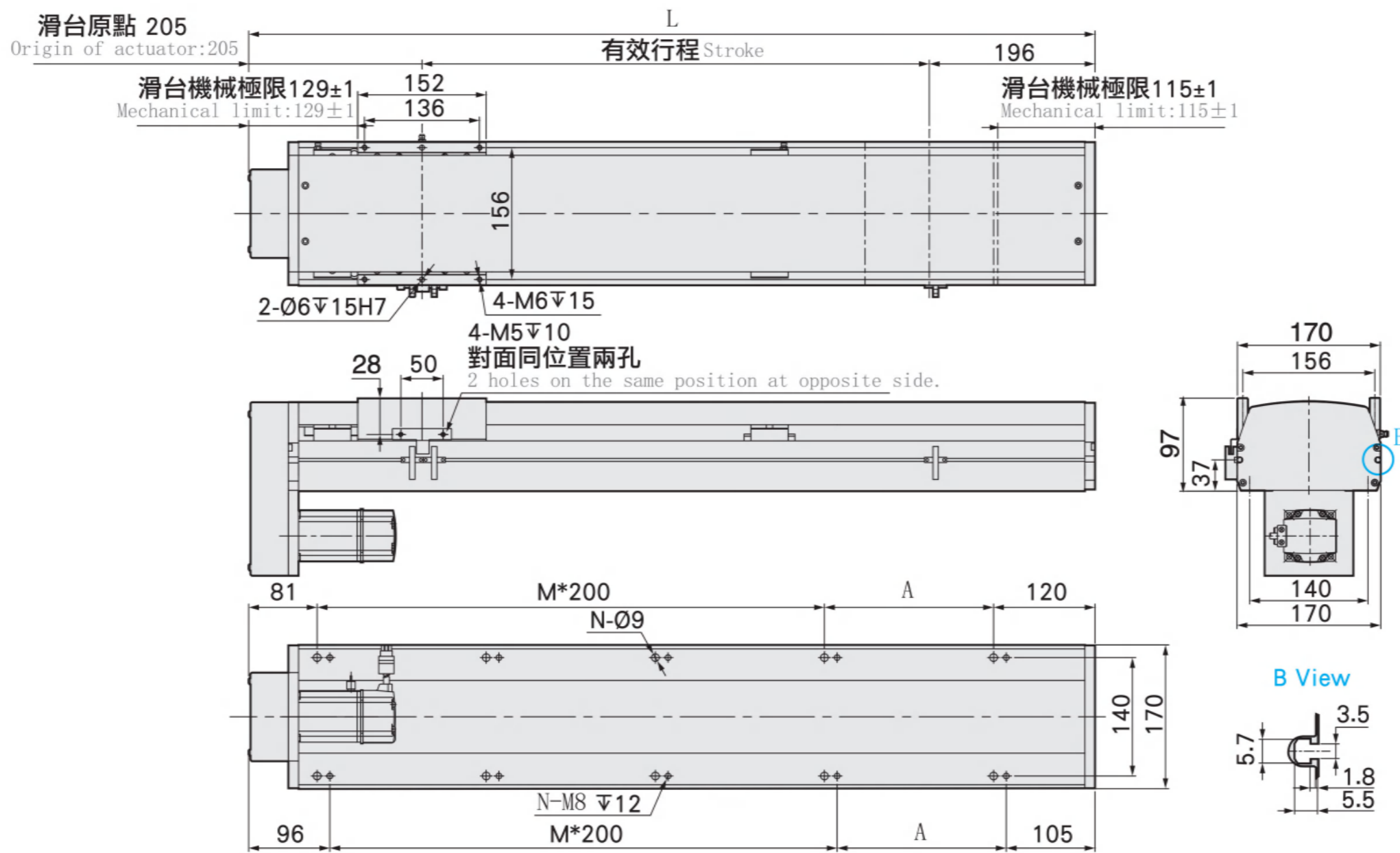
▶ 螺桿驅動 ▶
Ball Screw Drive

馬達下折

Motor Bottom Side

MD 馬達下折 Motor Bottom Side

單位 Unit : mm



有效行程 Stroke	1100	1150	1200	1250	1300	1350	1400	1450	1500	1550	1600	1650	1700	1750	1800	1850	1900	1950	2000	2050	2100	2150	2200
L	1501	1551	1601	1651	1701	1751	1801	1851	1901	1951	2001	2051	2101	2151	2201	2251	2301	2351	2401	2451	2501	2551	2601
A	100	150	200	50	100	150	200	50	100	150	200	50	100	150	200	50	100	150	200	50	100	150	200
M	6	6	6	7	7	7	7	8	8	8	8	9	9	9	9	10	10	10	10	11	11	11	11
N	16	16	16	18	18	18	18	20	20	20	22	22	22	22	22	24	24	24	24	26	26	26	26
KG	34.69	35.37	36.05	36.73	37.41	38.09	38.77	39.45	40.13	40.81	41.49	42.17	42.85	43.53	44.21	44.89	45.57	46.25	46.93	47.61	48.29	48.97	49.65

WA22M 單軸 / 1-axis

▶ 長行程 Long Stroke ▶ 螺桿驅動 Ball Screw Drive



此圖僅供參考，出貨規格詳見尺寸圖面
The picture is just for the reference. Please check the the actual dimensions on the drawing.

最大行程 2400mm
Maximum Stroke

最高速度 1600mm/s
Maximum Speed

※ 馬達最高轉速：2400rpm。
※ Maximum motor speed: 2400rpm.

馬達容量 750W
Motor output

滾珠螺桿 Ø20mm
Ball Screw

直線滑軌 20X15-2 支
Linear Guide

型號表示方式 Ordering Method

WA22M - L10 - 1300 - ME - Y75 - A0 - C - Z

本體型號
Model

行程
Stroke
1300-2400mm
50間隔 50 mm Pitch

特注式樣
Customization Order No.

外部注油
External oiling

螺桿導程
Ball Screw Lead

5	5mm
10	10mm
20	20mm
40	40mm

馬達位置
Motor Position

M	馬達直結 Motor Hidden In
ME	馬達外露 Motor Exposed
ML	馬達左折 Motor Left Side
MR	馬達右折 Motor Right Side
MD	馬達下折 Motor Bottom Side

馬達廠牌
Motor Brand

Y	安川/三菱	20	-	B
P	松下	40	-	
H	汇川	75	750W	
B	步进	100	-	

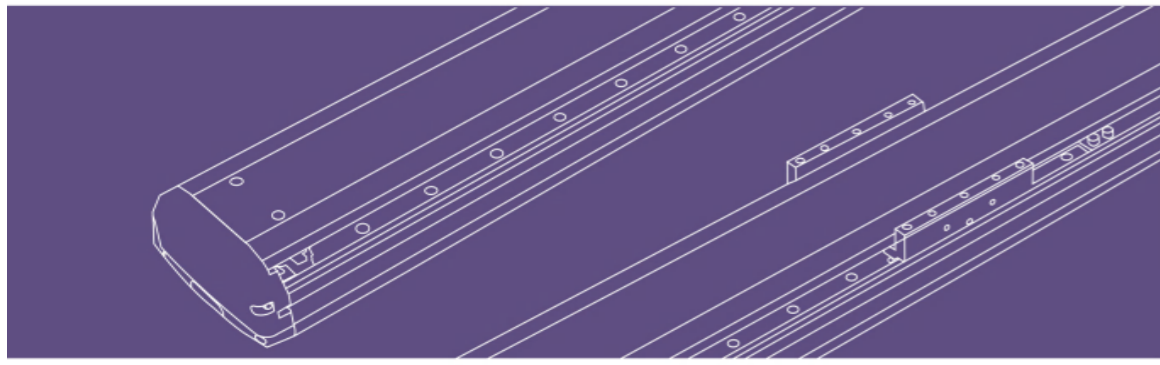
若無煞車則不表示。 If No Brake, No Description.

感應器類型
Sensor type

外置型 out Side	
A	NPN
P	PNP

端點極限感應器
Limit Sensor

外置型 out Side		
2	2只	2 Pc
3	3只	3 Pc
0	無	0 Pc

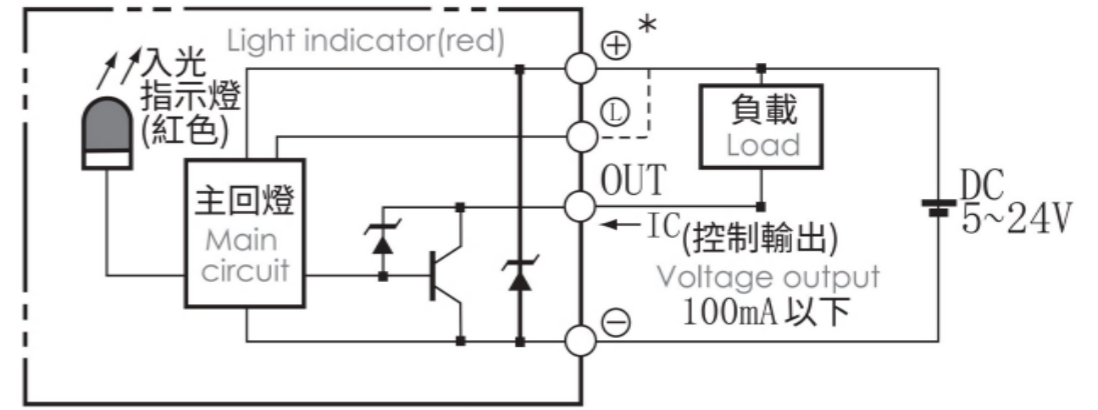


基本仕様 Specification

規格 Spec	位置重複精度 Repeatability (mm)	±0.01				
	螺桿導程 Ball Screw Lead (mm)	5	10	20	40	
	最高速度 Maximum Speed (mm/s) ※1	200	400	800	1600	
	最大可搬重量 Maximum Payload	水平使用 Horizontal (kg)	130	130	85	43
		垂直使用 Vertical (kg)	50	40	25	12
	定格推力 Rated Thrust (N)	2563	1281	640	320	
標準行程 Stroke Pitch (mm) ※2	1300-2400mm/50 間隔 50 mm Pitch					
部品 Parts	AC 伺服馬達容量 AC Servo Motor Output (W)※3	750				
	滾珠螺桿外徑 Ball Screw Ø (mm)	C7Ø20				
	高剛性直線滑軌 High Rigidity Linear Guide (mm)	W20XH15				
	連軸器 Coupling (mm)	12X19				
	原點感應器 Home Sensor	外掛 Outside	BC-SX672 (NPN)			

※1 馬達加減速設定 0.2 秒。
Acceleration and deceleration value is set 0.2 second.
※2 行程超過 2050 時，會產生螺桿偏擺，此時請將速度調降。
When the stroke is over 2050mm, the run-out of the ballscrew will occur. We recommend to low down the working speed under this circumstances.
※3 馬達最高轉速：2400rpm。Maximum motor speed: 2400rpm.

感應器接線圖 < 原點及端點 > Sensor Layout



容許負載力距表 Allowable Overhang

水平安裝 Horizontal Installation				壁掛安裝 Wall Installation				垂直安裝 Vertical Installation			
	A	B	C		A	B	C		A	C	
導程 5 Lead	80kg	3311	411	403	85kg	370	388	3066	30kg	1301	1301
	100kg	2534	320	308	105kg	288	299	2389	40kg	977	977
	130kg	2113	228	221	130kg	221	228	2113	50kg	781	781
導程 10 Lead	70kg	2700	430	394	75kg	368	398	2515	20kg	1735	1735
	90kg	2022	320	294	95kg	277	300	1926	30kg	1156	1156
	130kg	1311	198	184	130kg	184	198	1328	40kg	867	867
導程 20 Lead	40kg	2044	662	558	45kg	490	582	1805	15kg	1835	1835
	60kg	1316	417	352	65kg	321	381	1204	20kg	1376	1376
	85kg	886	272	231	85kg	231	272	886	25kg	1101	1101
導程 40 Lead	20kg	1180	766	533	25kg	418	601	930	7kg	1943	1943
	25kg	927	599	418	35kg	286	408	644	12kg	1133	1133
	43kg	510	318	224	43kg	224	318	510	-	-	-

靜態容許負載慣量 Static Loading Moment

	(單位 Unit: N.m)
MY	1254
MP	1254
MR	1254

* 力距表所表示的數據，代表重心。
The torque value in the chart indicate the center of gravity.
* 符合型錄規範的正常情況下，保證壽命為 10000 公里。
Operation life is 10,000km when the product is using under the specified conditions.
* 倒吊使用無法套用標準規範，如有需求請洽詢我司業務。
Data information is not for ceiling-mount inverse use. Contact us for the details if you want to apply ceiling-mount inverse usage.

Stroke and Maximum Speed mm/s

Ballscrew Spec		Maximum Speed *1	Stroke Pitch and Maximum Speed *2							
Diameter	Lead		Stroke1300-2050	2100	2150	2200	2250	2300	2350	2400
20	5	200	200			175				150
	10	400	400			350				300
	20	800	800			700				600
	40	1600	1600			1400				1200

*1 The maximum speed is based on the maximum speed of the servo motor 2400RPM.
*2 Standard stroke data, representing the maximum dangerous speed that can be used within the stroke, beyond this speed, the ball screw will resonate, resulting in greater noise and reduced ball screw life.

WA22M 單軸 / 1axis

▶ 長行程 ▶ Long Stroke

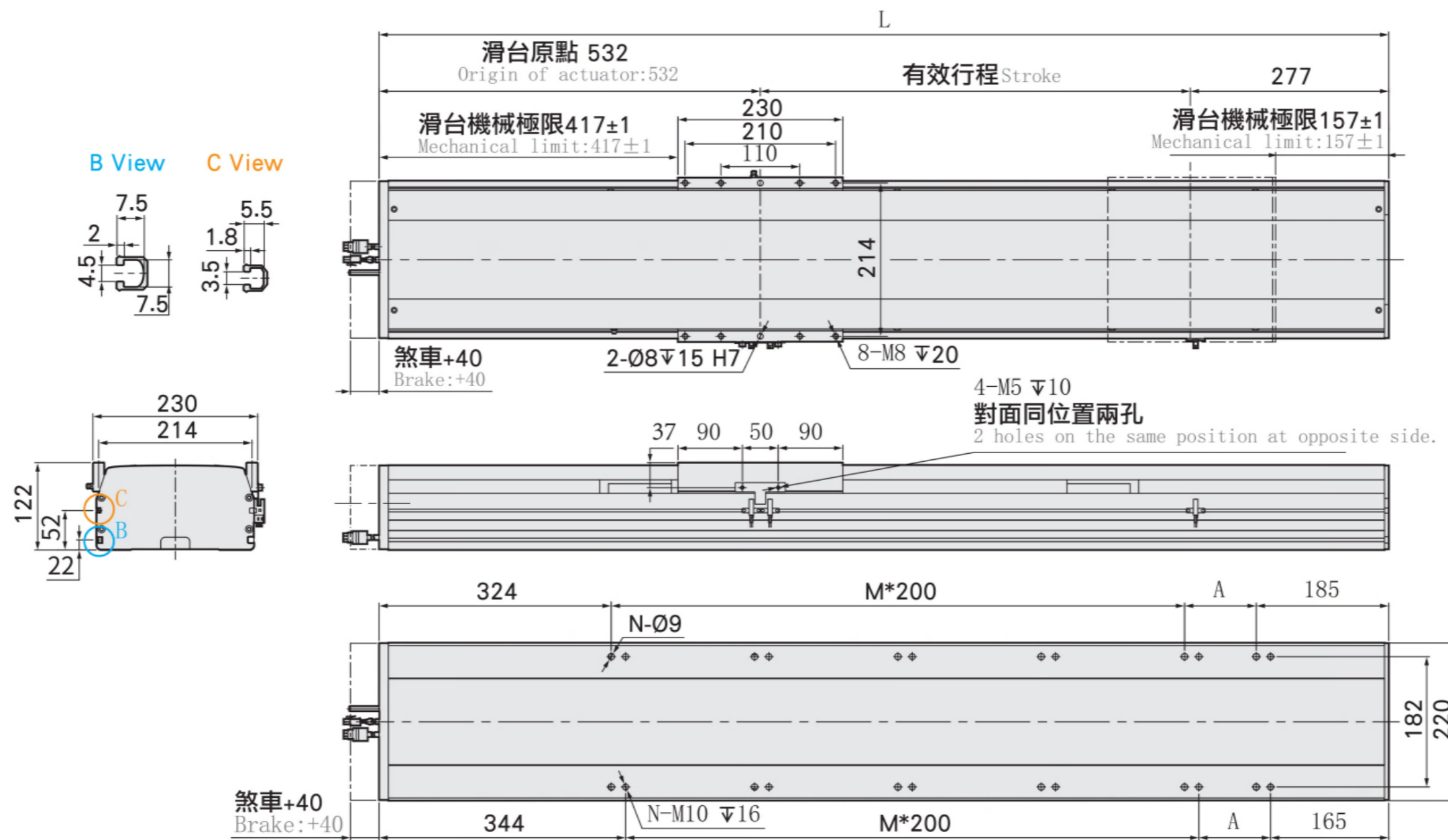
▶ 螺桿驅動 ▶ Ball Screw Drive

馬達直結 / 馬達外露

Motor Hidden In / Motor Exposed

M 馬達直結 Motor Hidden In

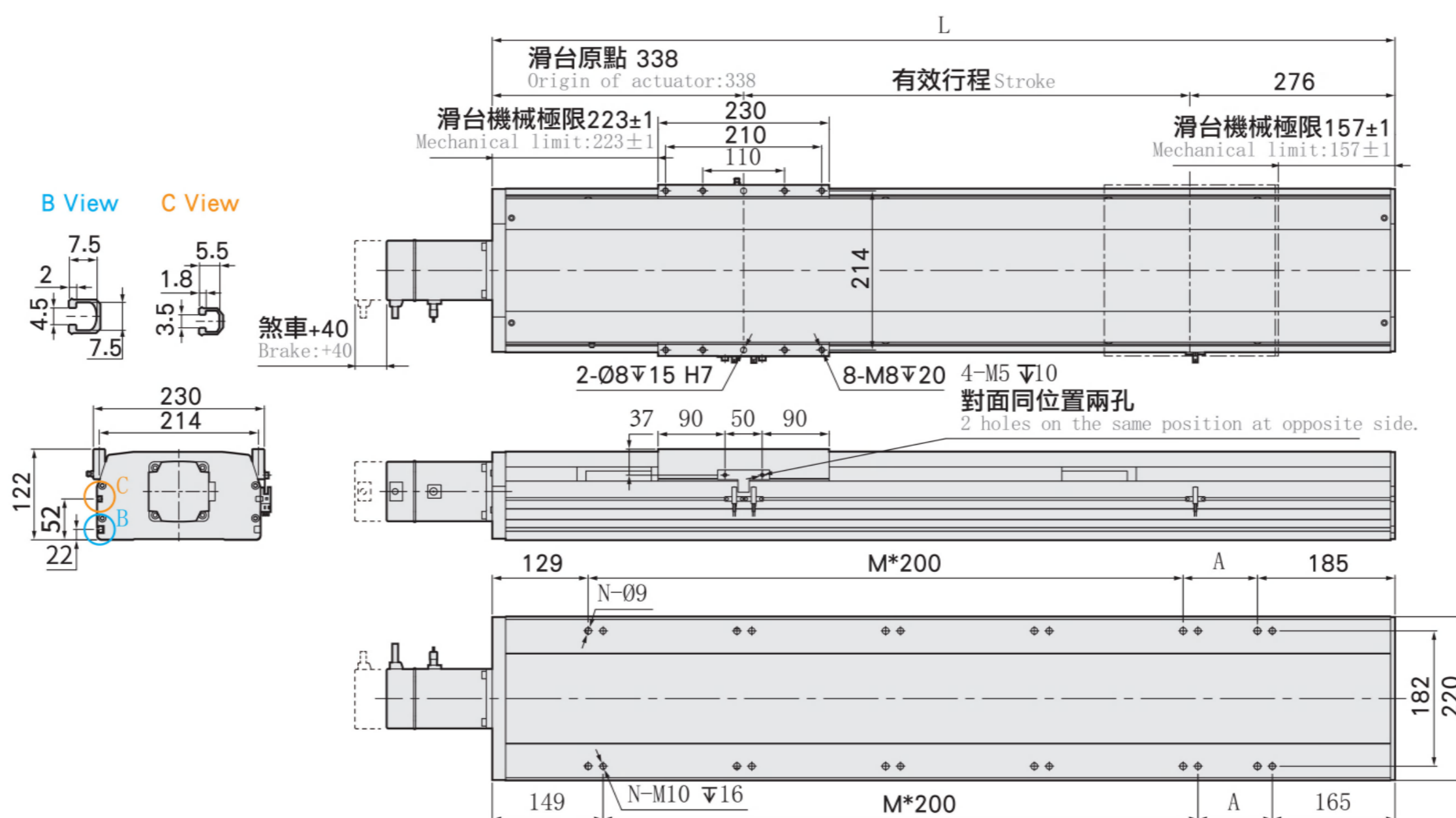
單位 Unit : mm



有效行程 Stroke	1300	1350	1400	1450	1500	1550	1600	1650	1700	1750	1800	1850	1900	1950	2000	2050	2100	2150	2200	2250	2300	2350	2400
L	2109	2159	2209	2259	2309	2359	2409	2459	2509	2559	2609	2659	2709	2759	2809	2859	2909	2959	3009	3059	3109	3159	3209
A	200	50	100	150	200	50	100	150	200	50	100	150	200	50	100	150	200	50	100	150	200	50	100
M	7	8	8	8	8	9	9	9	9	10	10	10	10	11	11	11	11	12	12	12	12	13	13
N	18	20	20	20	20	22	22	22	22	24	24	24	24	26	26	26	26	28	28	28	28	30	30
KG	68.85	70.21	71.57	72.93	74.29	75.65	77.01	78.37	79.73	81.09	82.45	83.81	85.17	86.53	87.89	89.25	90.61	91.97	93.33	94.69	96.05	97.41	98.77

ME 馬達外露 Motor Exposed

單位 Unit : mm



有效行程 Stroke	1300	1350	1400	1450	1500	1550	1600	1650	1700	1750	1800	1850	1900	1950	2000	2050	2100	2150	2200	2250	2300	2350	2400
L	1914	1964	2014	2064	2114	2164	2214	2264	2314	2364	2414	2464	2514	2564	2614	2664	2714	2764	2814	2864	2914	2964	3014
A	200	50	100	150	200	50	100	150	200	50	100	150	200	50	100	150	200	50	100	150	200	50	100
M	7	8	8	8	8	9	9	9	9	10	10	10	10	11	11	11	11	12	12	12	12	13	13
N	18	20	20	20	20	22	22	22	22	24	24	24	24	26	26	26	26	28	28	28	28	30	30
KG	66.15	67.51	68.87	70.23	71.59	72.95	74.31	75.67	77.03	78.39	79.75	81.11	82.47	83.83	85.19	86.55	87.91	89.27	90.63	91.99	93.35	94.71	96.07

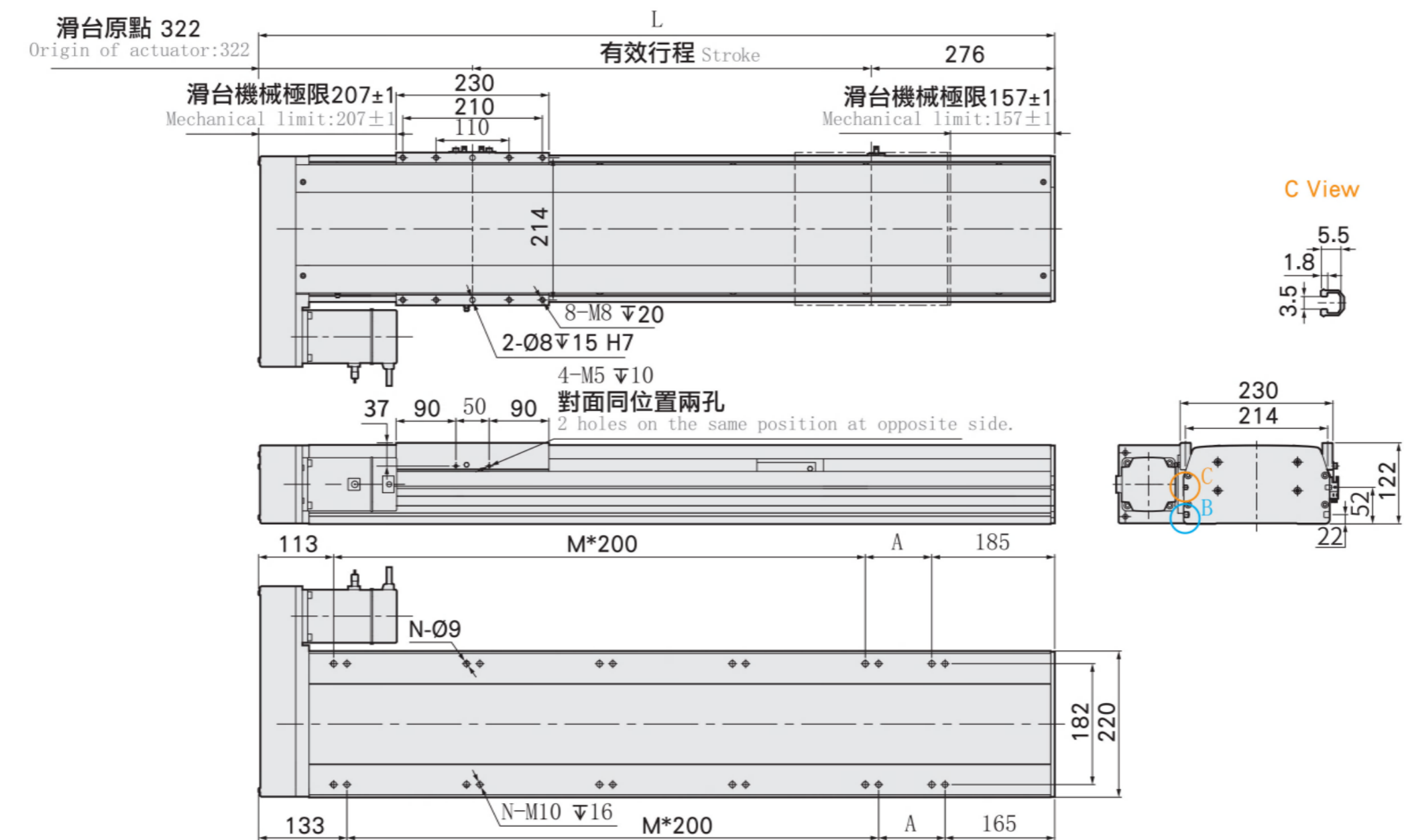


馬達左折 / 馬達右折

Motor Left Side / Motor Right Side

ML 馬達左折 Motor Left Side

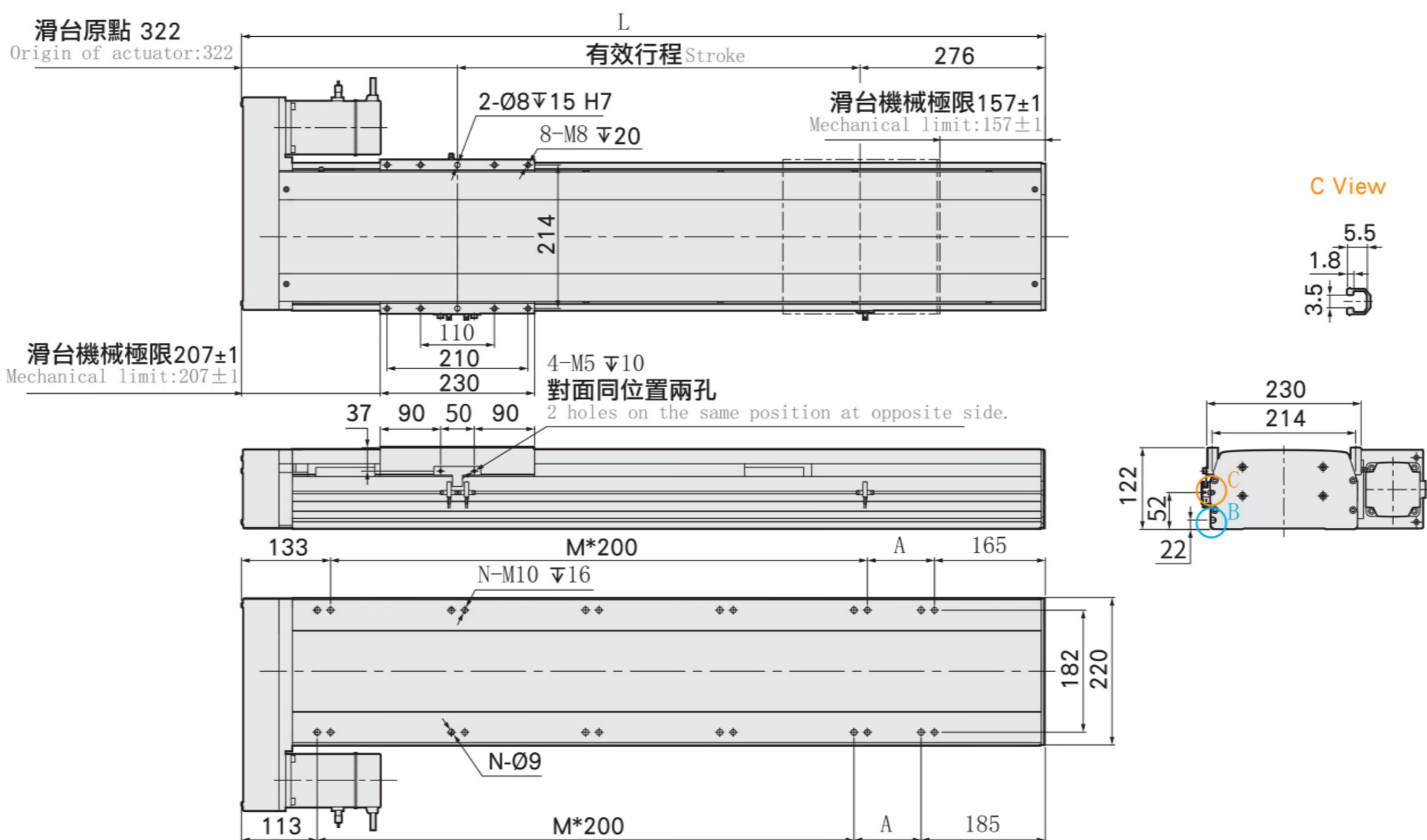
單位 Unit : mm



有效行程 Stroke	1300	1350	1400	1450	1500	1550	1600	1650	1700	1750	1800	1850	1900	1950	2000	2050	2100	2150	2200	2250	2300	2350	2400
L	1898	1948	1998	2048	2098	2148	2198	2248	2298	2348	2398	2448	2498	2548	2598	2648	2698	2748	2798	2848	2898	2948	2998
A	200	50	100	150	200	50	100	150	200	50	100	150	200	50	100	150	200	50	100	150	200	50	100
M	7	8	8	8	8	9	9	9	9	10	10	10	10	11	11	11	11	12	12	12	12	13	13
N	18	20	20	20	20	22	22	22	22	24	24	24	24	26	26	26	26	28	28	28	28	30	30
KG	67.35	68.71	70.07	71.43	72.79	74.15	75.51	76.87	78.23	79.59	80.95	82.31	83.67	85.03	86.39	87.75	89.11	90.47	91.83	93.19	94.55	95.91	97.27

MR 馬達右折 Motor Right Side

單位 Unit : mm



有效行程 Stroke	1300	1350	1400	1450	1500	1550	1600	1650	1700	1750	1800	1850	1900	1950	2000	2050	2100	2150	2200	2250	2300	2350	2400
L	1898	1948	1998	2048	2098	2148	2198	2248	2298	2348	2398	2448	2498	2548	2598	2648	2698	2748	2798	2848	2898	2948	2998
A	200	50	100	150	200	50	100	150	200	50	100	150	200	50	100	150	200	50	100	150	200	50	100
M	7	8	8	8	8	9	9	9	9	10	10	10	10	11	11	11	11	12	12	12	12	13	13
N	18	20	20	20	20	22	22	22	22	24	24	24	24	26	26	26	26	28	28	28	28	30	30
KG	67.35	68.71	70.07	71.43	72.79	74.15	75.51	76.87	78.23	79.59	80.95	82.31	83.67	85.03	86.39	87.75	89.11	90.47	91.83	93.19	94.55	95.91	97.27

WA22M 單軸 / 1axis

▶ 長行程 ▶
Long Stroke

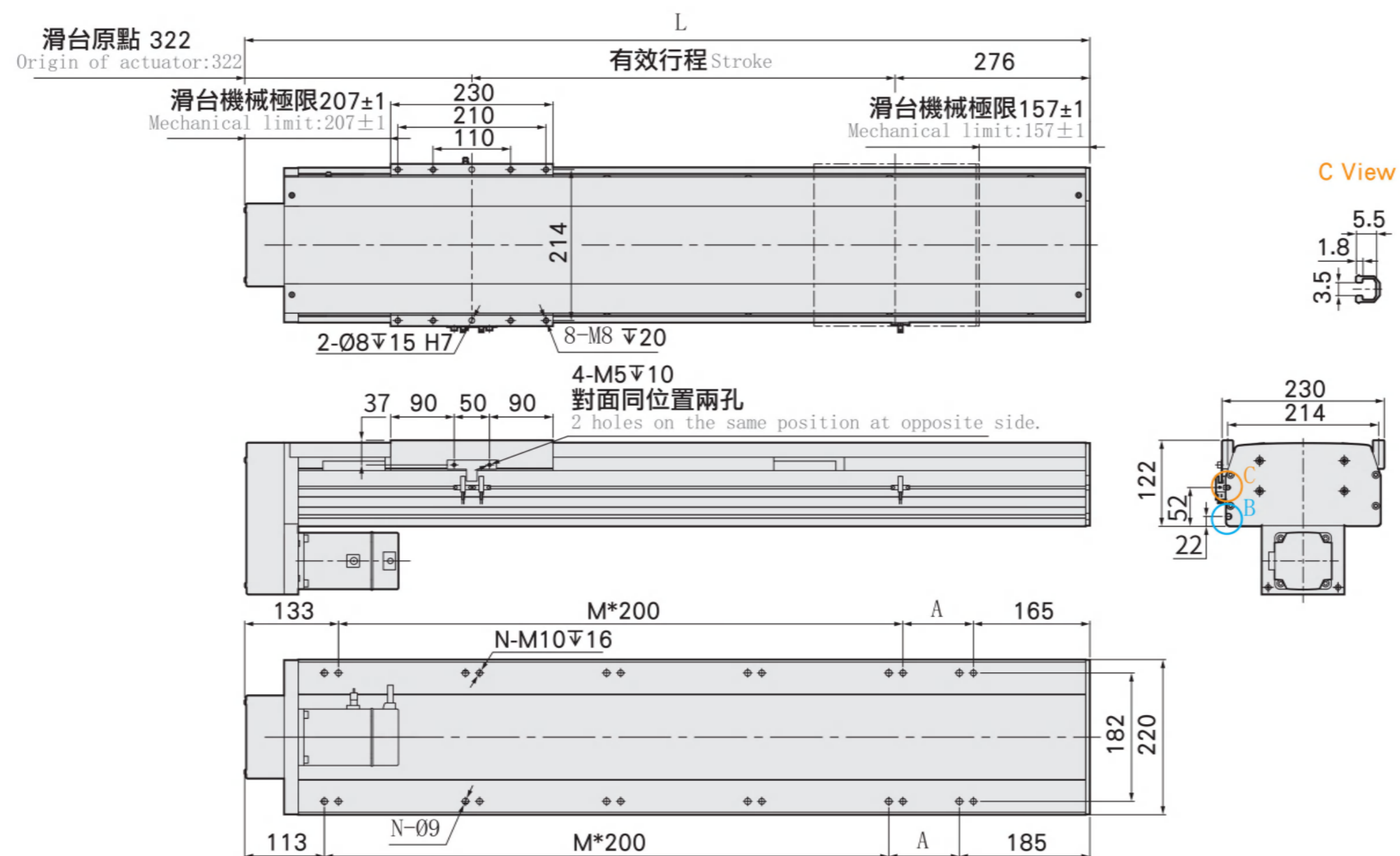
▶ 螺桿驅動 ▶
Ball Screw Drive

馬達下折

Motor Bottom Side

MD 馬達下折 Motor Bottom Side

單位 Unit : mm



有效行程 Stroke	1300	1350	1400	1450	1500	1550	1600	1650	1700	1750	1800	1850	1900	1950	2000	2050	2100	2150	2200	2250	2300	2350	2400
L	1898	1948	1998	2048	2098	2148	2198	2248	2298	2348	2398	2448	2498	2548	2598	2648	2698	2748	2798	2848	2898	2948	2998
A	200	50	100	150	200	50	100	150	200	50	100	150	200	50	100	150	200	50	100	150	200	50	100
M	7	8	8	8	8	9	9	9	9	10	10	10	10	11	11	11	11	12	12	12	12	13	13
N	18	20	20	20	20	22	22	22	22	24	24	24	24	26	26	26	26	28	28	28	28	30	30
KG	67.35	68.71	70.07	71.43	72.79	74.15	75.51	76.87	78.23	79.59	80.95	82.31	83.67	85.03	86.39	87.75	89.11	90.47	91.83	93.19	94.55	95.91	97.27